

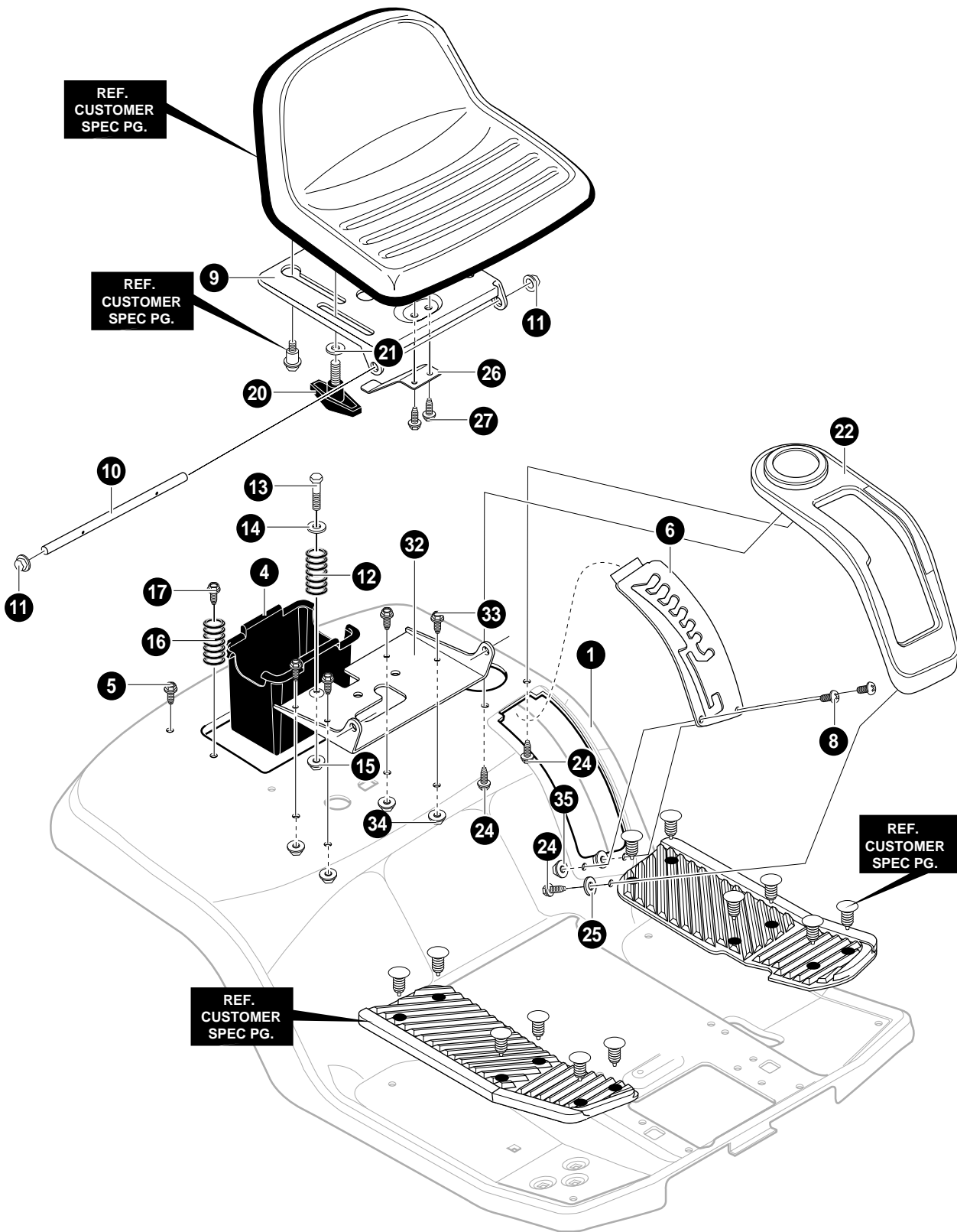
NOTE: ALWAYS USE ORIGINAL EQUIPMENT PARTS. Use of service/replacement parts other than original equipment parts may void your warranty.

ALL UNNUMBERED ITEMS ARE INTERCHANGEABLE WITH OPPOSITE SIDE

344695A

# FRONT CHASSIS ASSEMBLY

KEY NO.	PART NO.	DESCRIPTION	QTY
1	95413-821	BRACKET,HOOD RH	1
2	95414-821	BRACKET,HOOD LH	1
3	711606	SCREW, 5/16-18X.75	4
4	94907	DASH	1
5	711762	SCREW,1/4-14X.75	2
6	95195-821	GUARD, HEAT SHIELD	1
7	712480	WASHER, FLAT .475X.87 INSULATE	2
8	302628	SCREW, 1/4-20X .75	2
9	71067	WASHER, FLAT .286X .63X.065	4
10	73826	NUT, 1/4-20 REGHEXCTRLK	2
11	341569-860	ASSEMBLY, LOWER CONSOLE	1
11-1	95425	TOWER,LOWER DASH	1
11-2	95426	SUPPORT, STEERING	1
11-3	710264	SCREW, 1/4-20X .50	4
11-4	95406	ROD, DASH BRACE	1
11-5	710264	SCREW, 1/4-20X .50	2
12	711606	SCREW, 5/16-18X.75	4
15	94638-860	PANEL, ACCESS	1
16	711629	SCREW, 10-24X.500TRSEGI	2
17	94984	HOOD	1
18	302670	LENS, HEADLAMP	1
19	308492	FOIL,LENS DYNA HOOD REFLECTOR	1
21	301452	FOIL, HEAT REFLECTOR	4
22	711856	PIN,CLEVIS .375DIA.X .81 LG	2
23	711682	PIN,HAIR	2
24	712480	WASHER,FLAT-INSULATE	4
25	95404	BUSHING,STEERING SHAFT	1
	712565	OPERATOR'S MANUAL (NOT SHOWN)	1

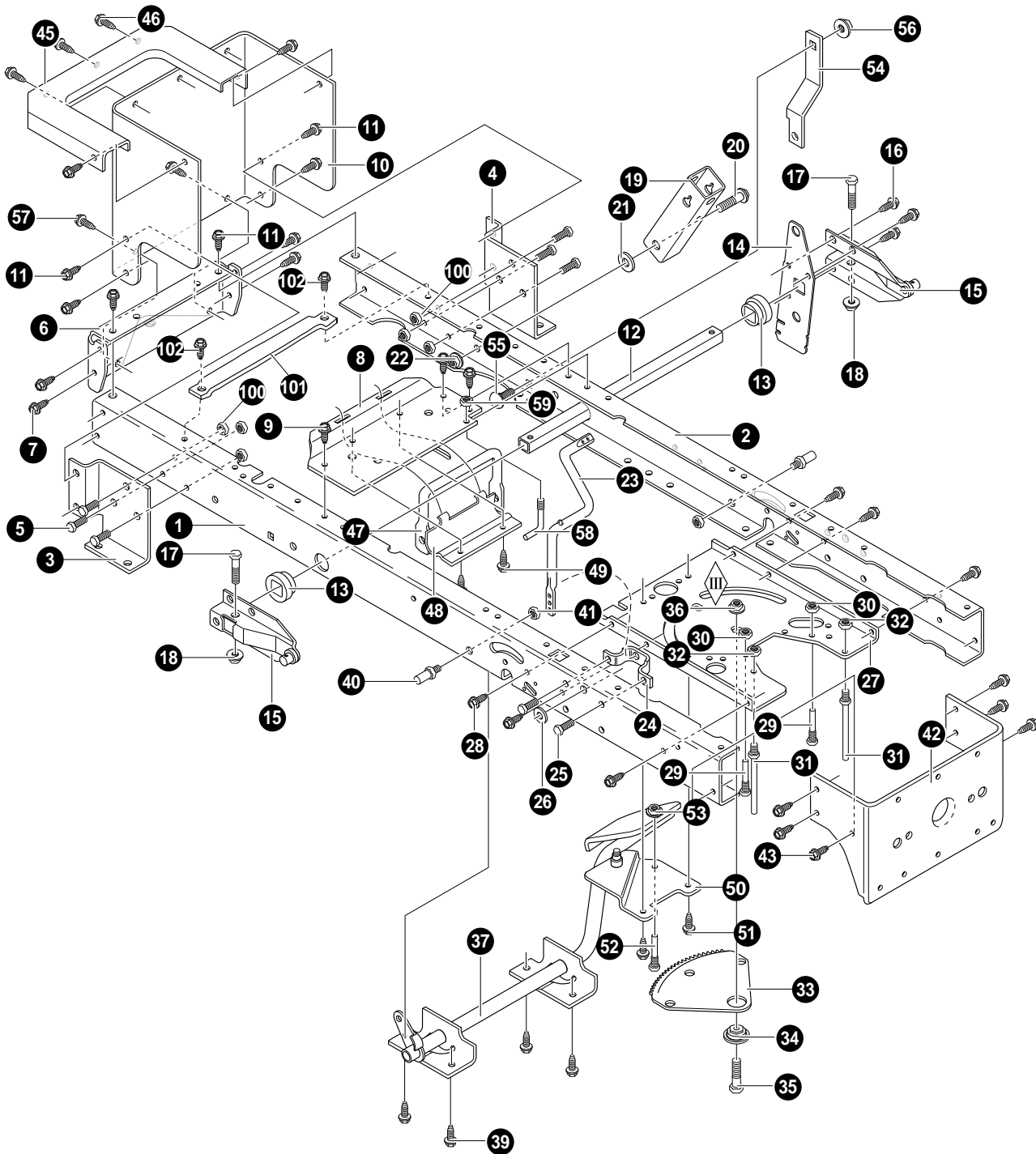


NOTE: ALWAYS USE ORIGINAL EQUIPMENT PARTS.  
Use of service/replacement parts other than original equipment parts may void your warranty.

ALL UNNUMBERED  
ITEMS ARE INTERCHANGEABLE  
WITH OPPOSITE SIDE

## REAR CHASSIS ASSEMBLY

KEY NO.	PART NO.	DESCRIPTION	QTY
1	94629-860	SEAT DECK, LARGE	1
4	690424	CONTAINER, BATTERY	1
5	711642	SCREW, 1/4-20X .63	2
6	94886	PLATE , LIFT DETENT LG.	1
7	-	NOT USED ON THIS UNIT	
8	711629	SCREW,LIFT DETENT LOCKOUT	2
9	94154-860	SUPPORT, SEAT	1
10	95294	ZINC HINGE SEAT PIVOT	1
11	711627	NUT, PUSH CAP	2
12	710136	SPRING, COMPRESS 4.57LG X 1.17	1
13	711610	BOLT,SHOULDER 1/4-20	1
14	95293	WASHER CUP	1
15	302635	NUT, 1/4-20 CNTRLK	1
16	710109	SPRING, COMPRESS 2.43LG 164X30	2
17	711606	SCREW, 5/16-18X.75	2
20	711747	BOLT, WING 5/16-18X.50	2
21	711644	WASHER, FLAT.344X .62X.06	2
22	94491	COVER, DETENT W/CUP HOLDER	1
24	711671	SCREW, 1/4-15X.44/.53	3
25	71067	WASHER, FLAT .286X .63X.065	1
26	94057	SPRING - LEAF	1
27	711592	SCREW, 1/4-20X .50 WAHHTAP	2
32	94153-860	BRACKET, PIVOT SEAT	1
33	711606	SCREW, 5/16-18X.75	4
34	711634	NUT, 5/16-18 WDFLLK	4
35	314159	NUT, #10-32	2



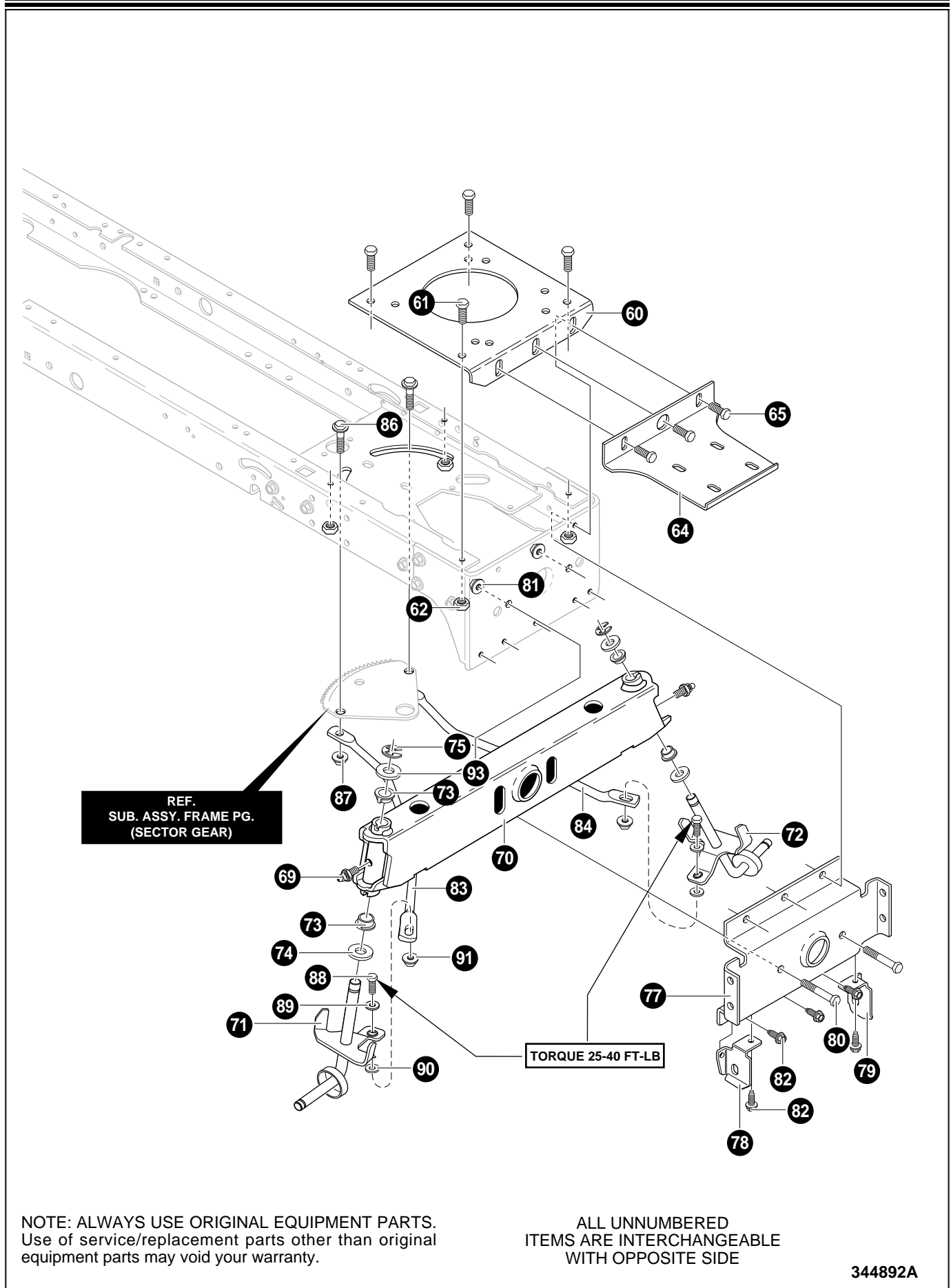
NOTE: ALWAYS USE ORIGINAL EQUIPMENT PARTS.  
Use of service/replacement parts other than original equipment parts may void your warranty.

ALL UNNUMBERED  
ITEMS ARE INTERCHANGEABLE  
WITH OPPOSITE SIDE

344892A

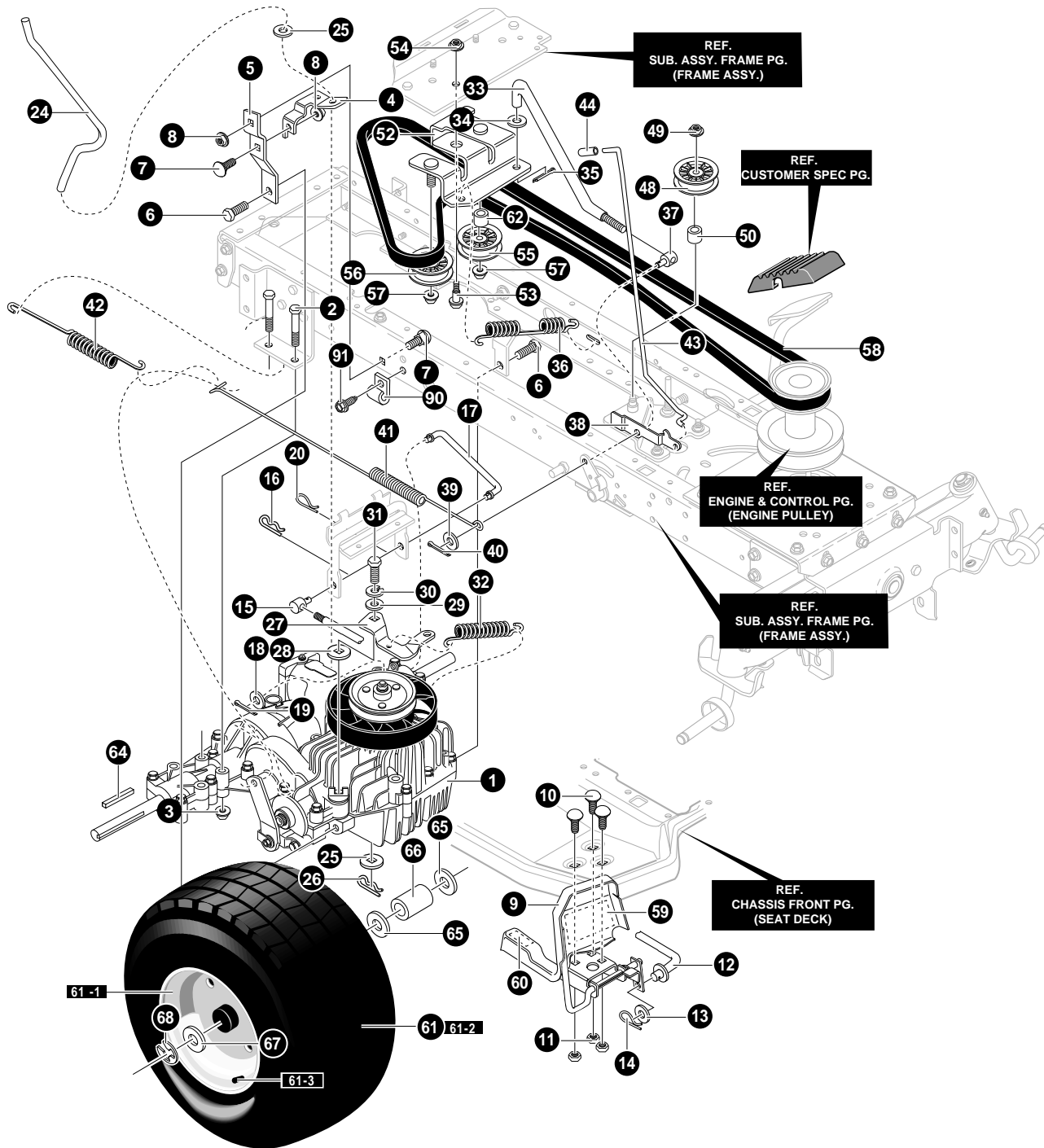
# FRAME ASSEMBLY

KEY NO.	PART NO.	DESCRIPTION	QTY
1	95110	RAIL, FRAME RH	1
2	95111	RAIL, FRAME LH	1
3	94184	BRACKET, TRANSAXLE RH	1
4	94185	BRACKET, TRANSAXLE LH	1
5	710079	SCREW, 5/16-18X.75	6
6	94002	HITCH PLATE	1
7	710079	SCREW, 5/16-18X.75	4
8	94431	BRACKET, IDLER	1
9	710079	SCREW, 5/16-18X.75	3
10	690218	PLATE, REAR	1
11	710079	SCREW, 5/16-18X.75	6
12	94063	TUBE, LIFTER	1
13	94065	BUSHING - LIFT TUBE	2
14	94030	PLATE-LIFT ARM	1
15	94180	ASSEMBLY, LIFT ARM LEVER	2
16	710106	SCREW,5/16-12X.50	3
17	710310	SCREW, 5/16-24X1.25	2
18	710080	NUT, 5/16-24	2
19	94015	BRACKET, PIVOT	1
20	710000	BOLT, .562X1.563	1
21	710130	WASHER, FLAT	1
22	710140	NUT,3/8-16	1
23	94019	CRANK, PTO	1
24	94005	BRACKET, BELL CRANK	1
25	710079	SCREW, 5/16-18X.75	2
26	120395	WASHER, FLAT	1
27	690504	PLATE,STEERING	1
28	710079	SCREW, 5/16-18X.75	6
29	93349	ZINC SCREW GUIDE 5/16-18	2
30	710204	NUT, 5/16-18	2
31	94066	SCREW - GUIDE	2
32	710204	NUT, 5/16-18	2
33	94121	GEAR, SECTOR	1
34	94123	BEARING, SECTOR GEAR	1
35	710312	SCREW, 5/16-18X1.00	1
36	710105	NUT, 5/16-18	1
37	94632	ASSEMBLY, CLUTCH/BRAKE PEDAL	1
39	710079	SCREW, 5/16-18X.75	4
40	94067	PIN,THREADED SHOULDER	2
41	45171	NUT, 3/8-16	2
42	94013	BRACKET, HANGER REAR	1
43	710079	SCREW, 5/16-18X.75	6
45	94186	TOP,REAR PLATE LARGE SEAT DECK	1
46	710196	SCREW, 10-24X.50	5
47	94425	ROD, TRUNNION	1
48	94434	CLAMP, TRUNNION PIVOT	1
49	710079	SCREW, 5/16-18X.75	2
50	94409	ASSY, IDLER INTERMEDIATE	1
51	710708	BOLT, 5/16-18X.50	2
52	93349	SCREW GUIDE 5/16-18	1
53	710204	NUT, 5/16-18	1
54	94433	TORQUE STRAP-LEFT	1
55	57072	BOLT, 5/16-18X.63	1
56	710205	NUT, 5/16-18 WDFLLK	1
57	710199	SCREW 3/8-16X1.25	2
58	94781	SCREW-GUIDE	1
59	710204	NUT, 5/16-18	1
100	710205	NUT, 5/16-18 WDFLLK	6
101	690482	BRACKET, BATTERY SUPPORT	1
102	710079	SCREW 5/16-18X.75 HHWATAP	2



# FRAME ASSEMBLY

KEY NO.	PART NO.	DESCRIPTION	QTY
60	94006	PLATE, ENGINE	1
61	710079	SCREW, 5/16-18X.75	4
62	710205	NUT, 5/16-18 WDFLLK	4
64	94306	BRACKET, 14.5-20	1
65	710079	SCREW, 5/16-18X.75	3.
69	706	ZERK, GREASE FITTING	2
70	690211	AXLE ASSEMBLY	1
71	94178	SPINDLE,RH	1
72	94179	SPINDLE LH,WELD ASSEMBLY	1
73	690150	BEARING, SPINDLE	4
74	710129	WASHER	2
75	710103	E-RING	2
77	94007	HANGER, AXLE	1
78	94026	HANGER DECK RH	1
79	94027	HANGER DECK LH	1
80	710081	SCREW, 5/16-24X2.75	2
81	710080	NUT, 5/16-24	2
82	710079	SCREW, 5/16-18X.75	5
83	95328	DRAG LINK RH	1
84	95329	DRAGLINK, LH	1
86	710440	BOLT, SHOULDER	2
87	710140	NUT,3/8-16	2
88	710082	SCREW, 3/8-16X1.5	2
89	710083	WASHER, FLAT	2
90	710142	WASHER, FLAT	2
91	710140	NUT,3/8-16	2
93	710088	WASHER, FLAT .765X1.81X.059	2



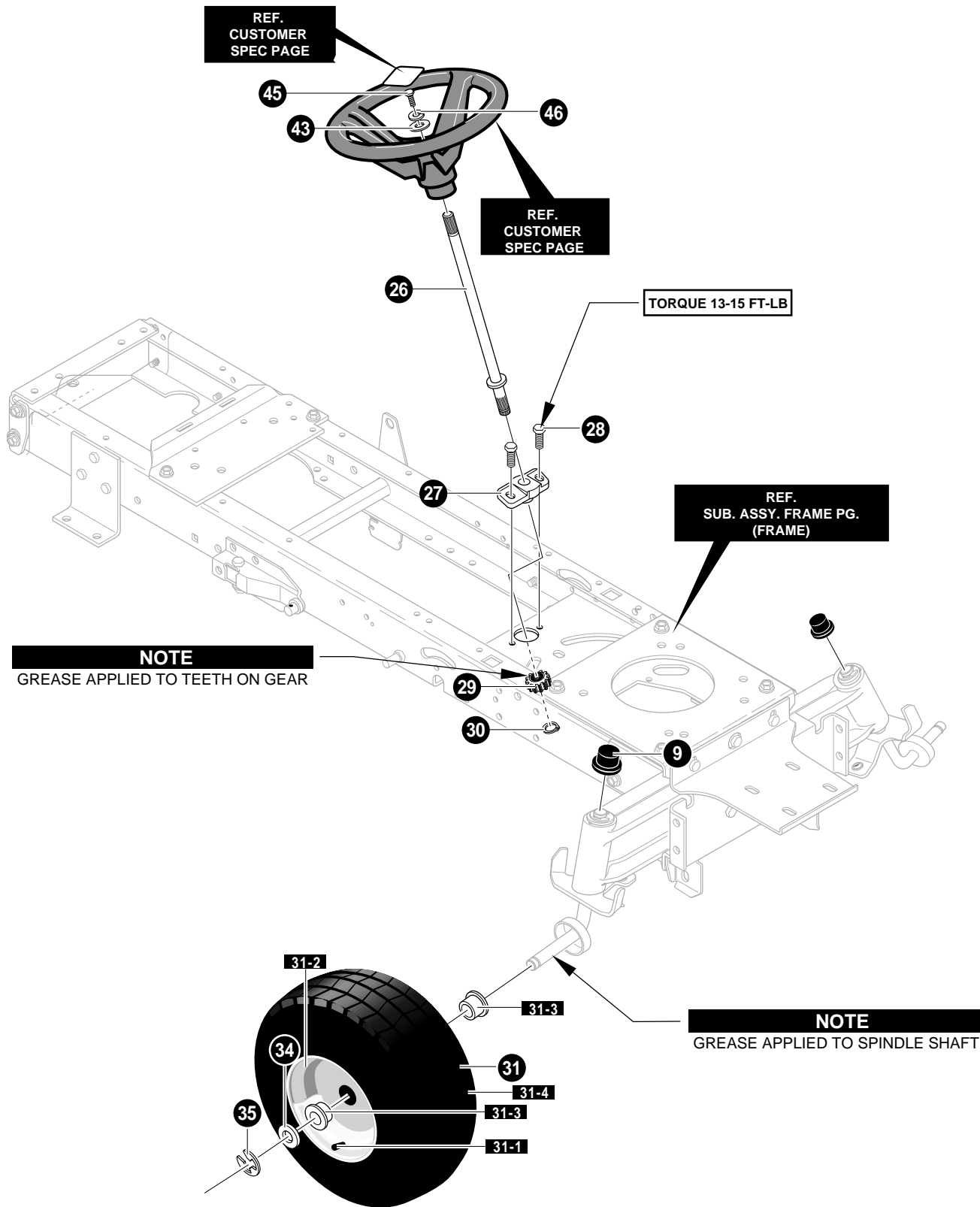
NOTE: ALWAYS USE ORIGINAL EQUIPMENT PARTS.  
 Use of service/replacement parts other than original  
 equipment parts may void your warranty.

ALL UNNUMBERED  
 ITEMS ARE INTERCHANGEABLE  
 WITH OPPOSITE SIDE

# MOTION DRIVE ASSEMBLY

KEY NO.	PART NO.	DESCRIPTION	QTY
1	*	HYDRO, PEERLESS	1
2	711669	SCREW, 5/16-18X2.50	4
3	711634	NUT, 5/16-18 WDFLLK	4
4	94429-821	BRACKET, DISCONNECT	1
5	94432-821	TORQUE STRAP -RIGHT	1
6	710268	SCREW, 5/16-18X.75	2
7	711661	BOLT, 5/16-18X .63	2
8	710026	NUT,5/16-18 HEXWDFLLK WHIZ	2
9	690013-821	ASSEMBLY, PEDAL	1
10	711688	BOLT, 5/16-18X .75	3
11	710026	NUT, 5/16-18 HEXWDFLLK WHIZ	3
12	95278	ZINC ROD,PEDAL LINK	1
13	711761	WASHER .469 X .72 16GA	1
14	711676	PIN, HAIR	1
15	711594	ADJUSTING NUT 1/2-13	1
16	711682	PIN,HAIR.38 DIA X1.64LG	1
17	95279	ZINC, ROD HYDRO LINK	1
18	711617	WASHER, FLAT	1
19	71081	PIN,COTTER.090DIA.X.75	1
20	711676	PIN, HAIR	1
24	95298	ROD, DISCONNECT	1
25	711644	WASHER, FLAT.344X .62X.06	2
26	71081	PIN,COTTER.090DIA.X.75	1
27	95299	ZINC ARM, DISCONNECT	1
28	710346	WASHER, .388/.393SQX1.00X.065	1
29	710657	WASHER, FLAT .256X .75X.130Z	1
30	710249	WASHER	1
31	710345	SCREW, 1/4-28X .750HHCNYLK	1
32	710330	SPRING, EXTENSION	1
33	95297	ROD, CLUTCH	1
34	711644	WASHER, FLAT.344X .62X.06	1
35	71081	PIN,COTTER.090DIA.X.75	1
36	710707	SPRING,CLUTCH VST205 HYDRO NLT	1
37	711596	NUT, ADJUSTING	1
38	95290	ZINC LATCH, PARK BRAKE	1
39	711623	WASHER, FLAT.406X .81X16	1
40	71081	PIN,COTTER.090DIA.X.75	1
41	710333	SPRING, EXTENSION 23.10LG	1
42	710353	SPRING, TENS 3.984X .530	1
43	690046	PARK BRAKE CONTROL ROD	1
44	91079	GRIP	1
48	690409	PULLEY, IDLER 2.75 DIA	1
49	711920	NUT, 3/8-16 HWDFFLLK MACK	1
50	690369	SPACER, 1/2 TO 17 MM	1
52	95305	ZINC ASM.BRACKET IDLER	1
53	711613	BOLT.50X.75 HSSH 3/8-16	1
54	711622	NUT, 3/8-16	1
55	690409	PULLEY, IDLER 2.75	1
56	91178	PULLEY, V-IDLER 3"	1
57	711920	NUT, 3/8-16 HWDFFLLK MACK	2
58	710531	BELT, MOTION DRIVE HYDRO	1
59	94516	PAD, SPEED CTRL PEDAL	1
60	93249	PAD, TOE SANDPAPER	1
61	692511	TIRE & RIM	2
61-1	338512	VALVE STEM	2
61-2	338524	RIM	2
61-3	338525	TIRE 20X8-8	2
62	690369	SPACER 1/2 TO 17MM	1
64	52928	KEY, SQUARE .187SQX2.25LG	2
65	711648	WASHER, FLAT .760X1.25X.065	4
66	95274	SPACER.87X1.78	2
67	711758	WASHER, FLAT .765X1.81X.059	2
68	710103	E-RING .574IDX.050/.750SH 11X3	2
90	711742	RETAINER, .31IDX.62X.03	1
91	711606	SCREW, 5/16-18X.75	1

\* CONTACT YOUR LOCAL TRANSAXLE DEALER



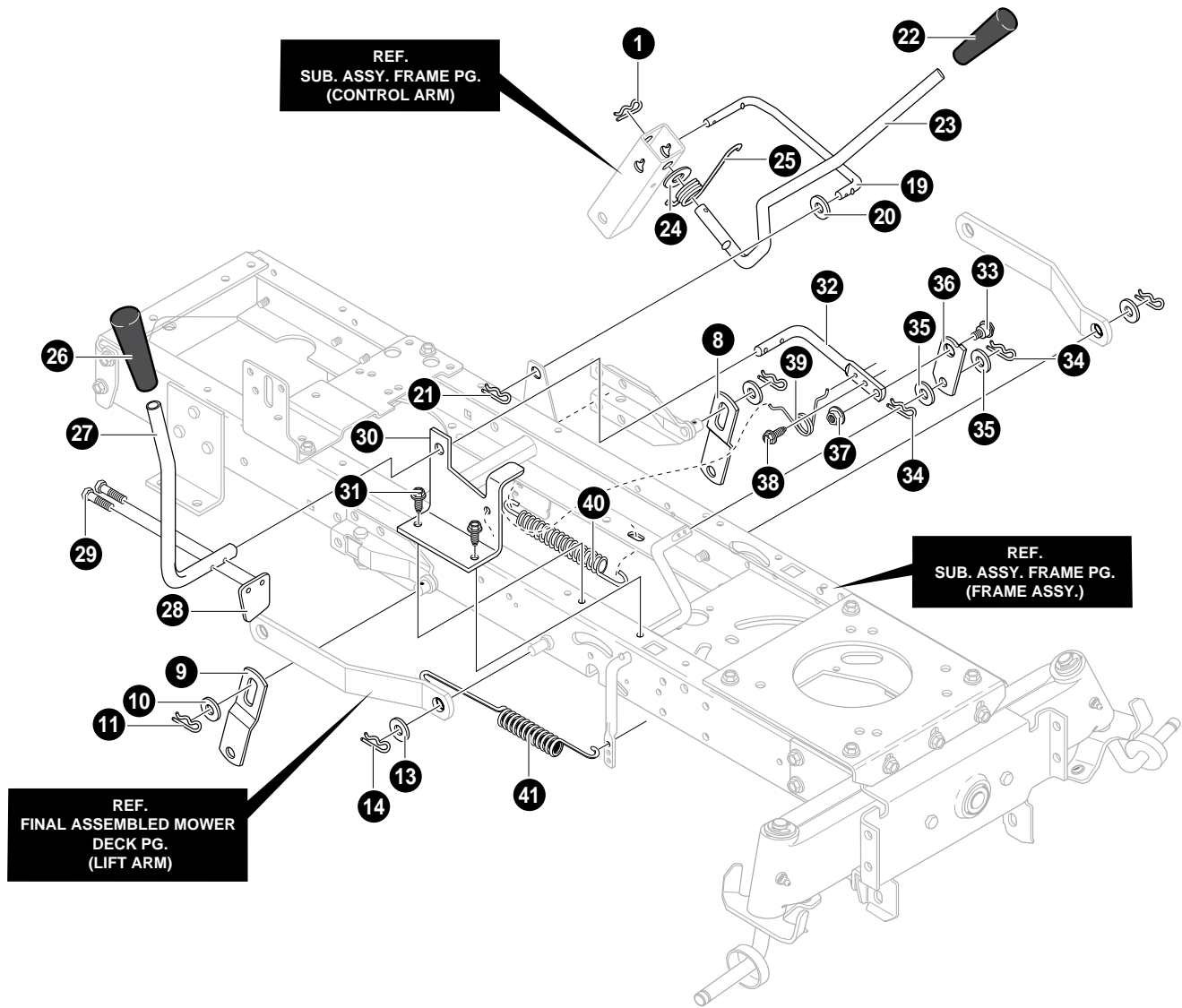
NOTE: ALWAYS USE ORIGINAL EQUIPMENT PARTS. Use of service/replacement parts other than original equipment parts may void your warranty .

ALL UNNUMBERED ITEMS ARE INTERCHANGEABLE WITH OPPOSITE SIDE

344787A

# STEERING ASSEMBLY

KEY #	PART #	DESCRIPTION	QTY
9	94618	DUST HUB CAP	2
26	94520	SHAFT, STEERING BOLT-ON	1
27	94124	BEARING-LOWER	1
28	711606	SCREW, 5/16-18X.75	2
29	94122	GEAR PINNION	1
30	710102	RING, RET E	1
31	692641	TIRE&RIM, 15X6.0X6	2
31-1	338512	VALVE STEM	2
31-2	338517	RIM	2
31-3	338513	BEARING	2
31-4	338514	TIRE 15X6X6	2
34	711758	WASHER, FLAT .765X1.81X.059	2
35	710103	E-RING .574IDX.050/.750SH 11X3	2
43	711720	WASHER, FLAT .391X1.25X.115 YZ	1
45	711719	SCREW, 1/4-20X .75	1
46	710249	WASHER, (18X32)	1



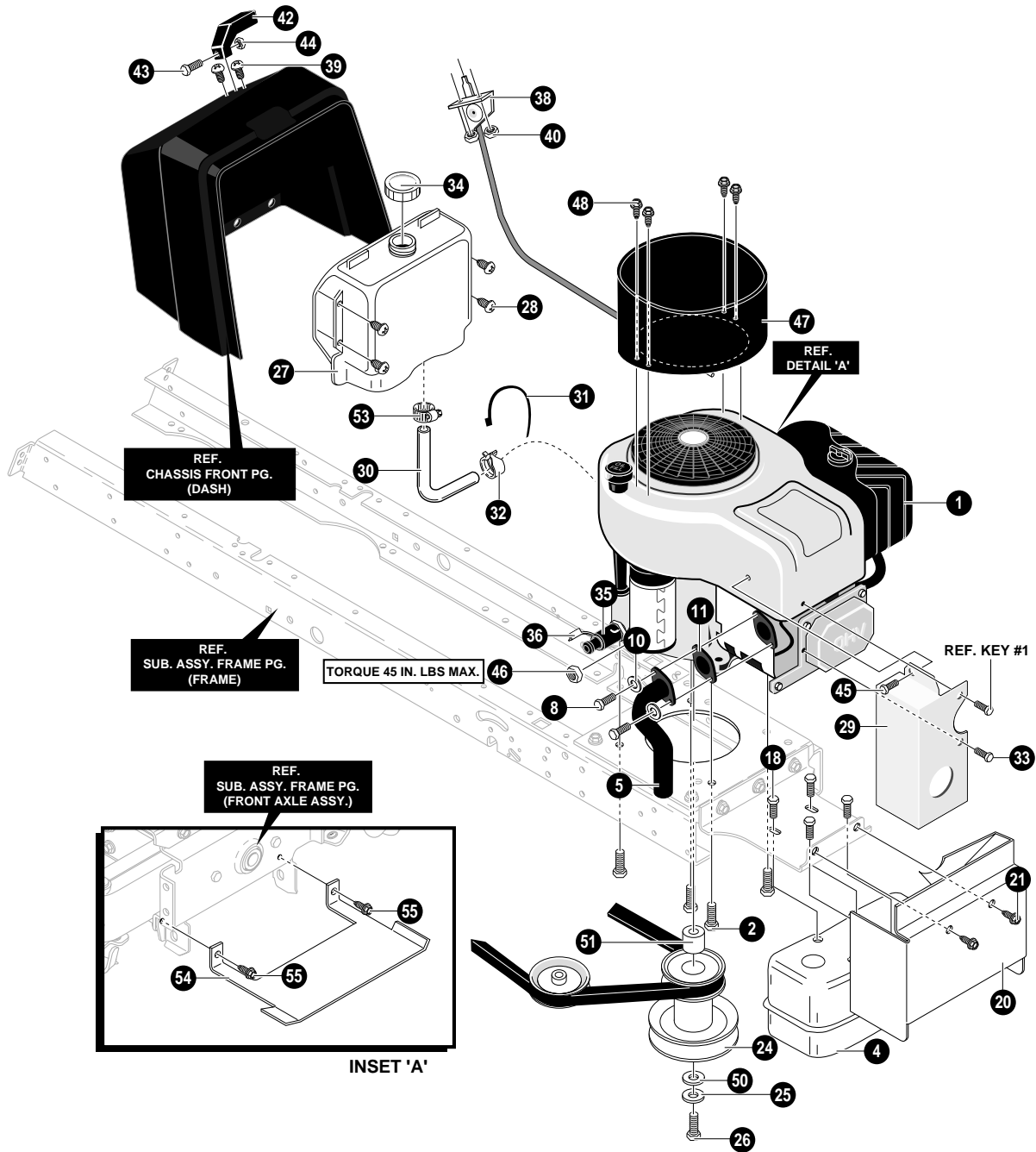
NOTE: ALWAYS USE ORIGINAL EQUIPMENT PARTS.  
Use of service/replacement parts other than original equipment parts may void your warranty.

ALL UNNUMBERED  
ITEMS ARE INTERCHANGEABLE  
WITH OPPOSITE SIDE

344308A

## MOWER SUSPENSION ASSEMBLY

KEY NO.	PART NO.	DESCRIPTION	QTY
1	711676	PIN, HAIR	1
8	94611-821	LINK, LIFT LH	1
9	94053-821	LINK, LIFT RH	1
10	711617	WASHER, FLAT	2
11	711676	PIN, HAIR	2
13	711617	WASHER, FLAT	2
14	711676	PIN, HAIR	2
19	95285	LINK LIFT HANDLE	1
20	711617	WASHER, FLAT	1
21	711676	PIN, HAIR	1
22	94506	GRIP, LIFT	1
23	95296	HANDLE, LIFT	1
24	711616	WASHER, FLAT.550X1.00X11	1
25	710111	TORSION SPRING .657LG (166X40)	1
26	94505	GRIP, PTO 5/8"	1
27	690126	PTO HANDLE	1
28	95284	ZINC PADDLE, SWITCH	1
29	711621	SCREW, THD FORM.246X1.050LG	2
30	94018-821	BRACKET, PTO	1
31	780055	SCREW, 5/16-18X.50	2
32	95283	ZINC LEVER, PTO	1
33	711613	BOLT.50X.75HHSH3/8-16	1
34	711659	PIN, HAIR .072 DIAX1.13LG	2
35	711615	WASHER, FLAT.518X.87X16	2
36	95282	LINK PTO	1
37	711622	NUT, 3/8-16	1
38	711606	SCREW, 5/16-18X.75	1
39	710141	TORSION SPRING .33LG (166X39)	1
40	710311	SPRING, TENSION	1
41	710208	EXTENSION SPRING (165X119)	1



NOTE: ALWAYS USE ORIGINAL EQUIPMENT PARTS.  
 Use of service/replacement parts other than original  
 equipment parts may void your warranty.

ALL UNNUMBERED  
 ITEMS ARE INTERCHANGEABLE  
 WITH OPPOSITE SIDE

344886A

## ENGINE & CONTROL ASSEMBLY

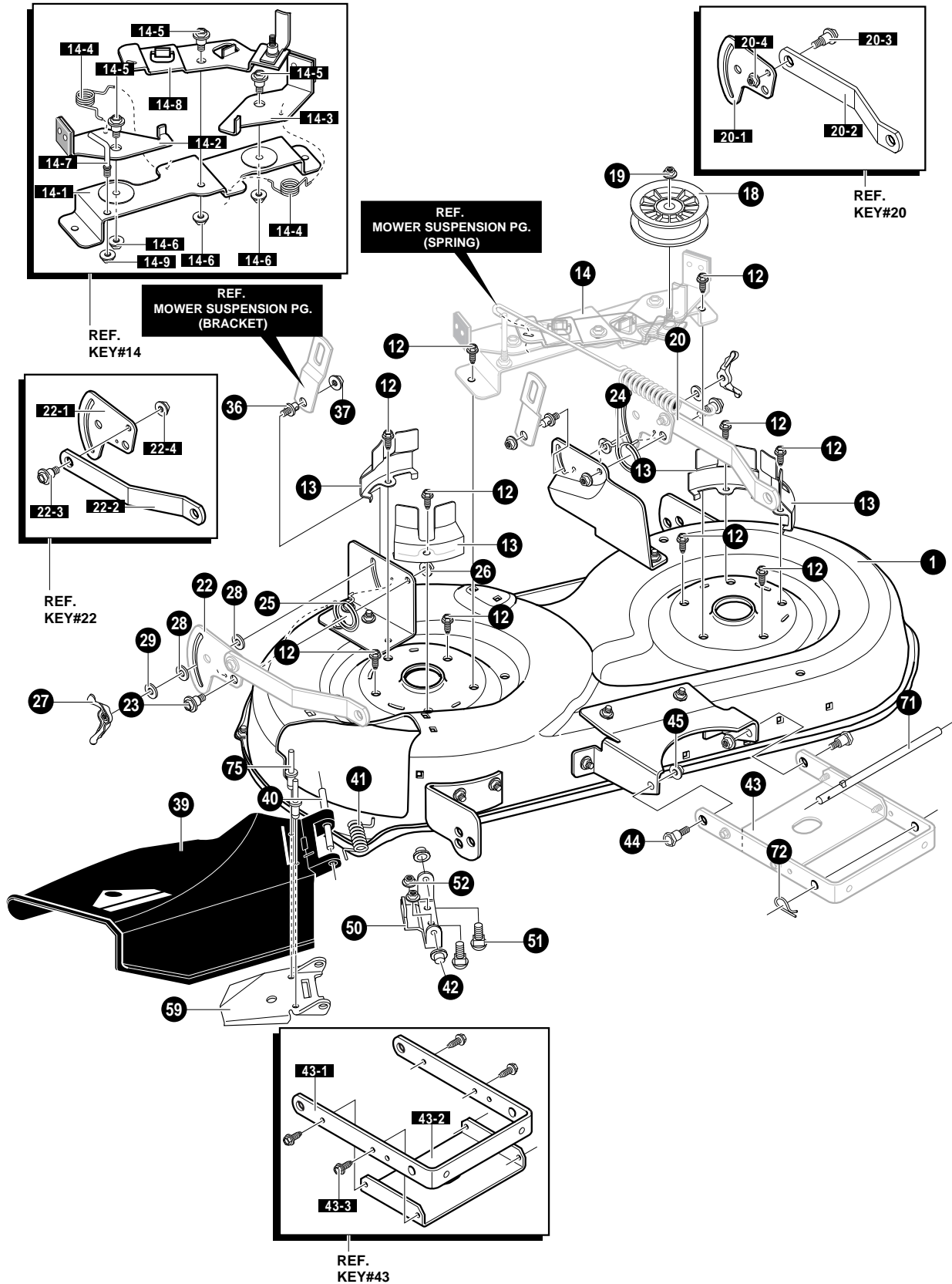
KEY NO.	PART NO.	DESCRIPTION	QTY
1	*	ENGINE 15.5HP	1
2	710199	SCREW,3/8-16X1.25 WAHHSPTAP	4
4	94654	MUFFLER, SINGLE-CYLINDER	1
5	94657	EXHAUST TUBE B&S	1
8	313676	SCREW, 5/16-18X .75 HHC	2
10	313679	WASHER, HVSPTLK .328X.60X.09	2
11	91309	GASKET, MUFFLER	1
18	711642	SCREW, 1/4-20X .63 WAHHTAP	4
20	95439-821	SHIELD,HEAT LOWER FRONT	1
21	711606	SCREW, 5/16-18X.75	2
24	95259	PULLEY, STACK ASS'Y	1
25	120383	WASHER, REGSPTLK.459X.78X.12	1
26	710248	SCREW, 7/16-20NF1.50HHC	1
27	314991	TANK, FUEL 2-GALLON	1
28	711741	SCREW, #12 X .50 PHPNHTAP	4
29	333772-821	HEAT SHIELD, SIDE	1
30	42258	TUBING, .25X.50X BULK GAS LINE	12"
31	57444	TIE, CABLE BLACK NYLON 5.62L	1
32	336890	CLAMP, HOSE SCREW TYPE	1
33	711592	SCREW, 1/4-20X .50	1
34	300304	CAP, GAS - 2.0 THROAT	1
35	325547	OIL DRAIN VALVE ASSEMBLY	1
36	327422	CAP,OIL DRAIN VALVE	1
38	95370	THROTTLE CONTROL	1
39	711755	SCREW, 10-24X.63 PHPNMA	2
40	711754	NUT, #10-24	2
42	94931	KNOB,THROTTLE CONTROL	1
43	711750	SCREW, #8-32X .38 PHPNMA	1
44	711748	NUT, #8-32 REGHX	1
45	711593	SCREW, 10-16X .50	1
46	711601	NUT, 1/4-20 REGHXJAM	1
47	690059	PLENUM, H15, 17HP INTEK	1
48	710245	SCREW, #8-16X .38	4
50	710247	WASHER, FLAT .480X1.00X.25	1
51	93077	SPACER, SLEEVE	1
52	94951	SPEED REDUCER	1
53	47345	CLAMP,HOSE SCREW TYPE	1
54	95192-821	SHIELD, ANTI-DEHYDRATION DEFLEC	1
55	711606	SCREW, 5/16-18X.75HHWATAP	2

\* SEE ENGINE MANUAL



# PRE-PAINTED DECK ASSEMBLY

KEY NO.	PART NO.	DESCRIPTION	QTY
1	94188	BLADE HOUSING - 42"	1
2	94191	BRACKET, DECK RH	1
3	94192	BRACKET, DECK LH 42"	1
4	57072	BOLT, 5/16-18X .63	5
5	710204	NUT,5/16-18	5
9	92426	PLATE, REAR, TOEGUARD, 42"DECK	2
10	57072	BOLT, 5/16-18X .63	4
11	710205	NUT, 5/16-18	4
12	94190	BRACKET, FRONT DECK 42"	1
13	57072	BOLT, 5/16-18X .63	4
14	710204	NUT,5/16-18	4
15	92422	BRACKET,42"DECK RH	1
16	92423	BRACKET,42"DECK	1
17	57072	BOLT, 5/16-18X .63	4
19	710205	NUT, 5/16-18 WDFLLK	4



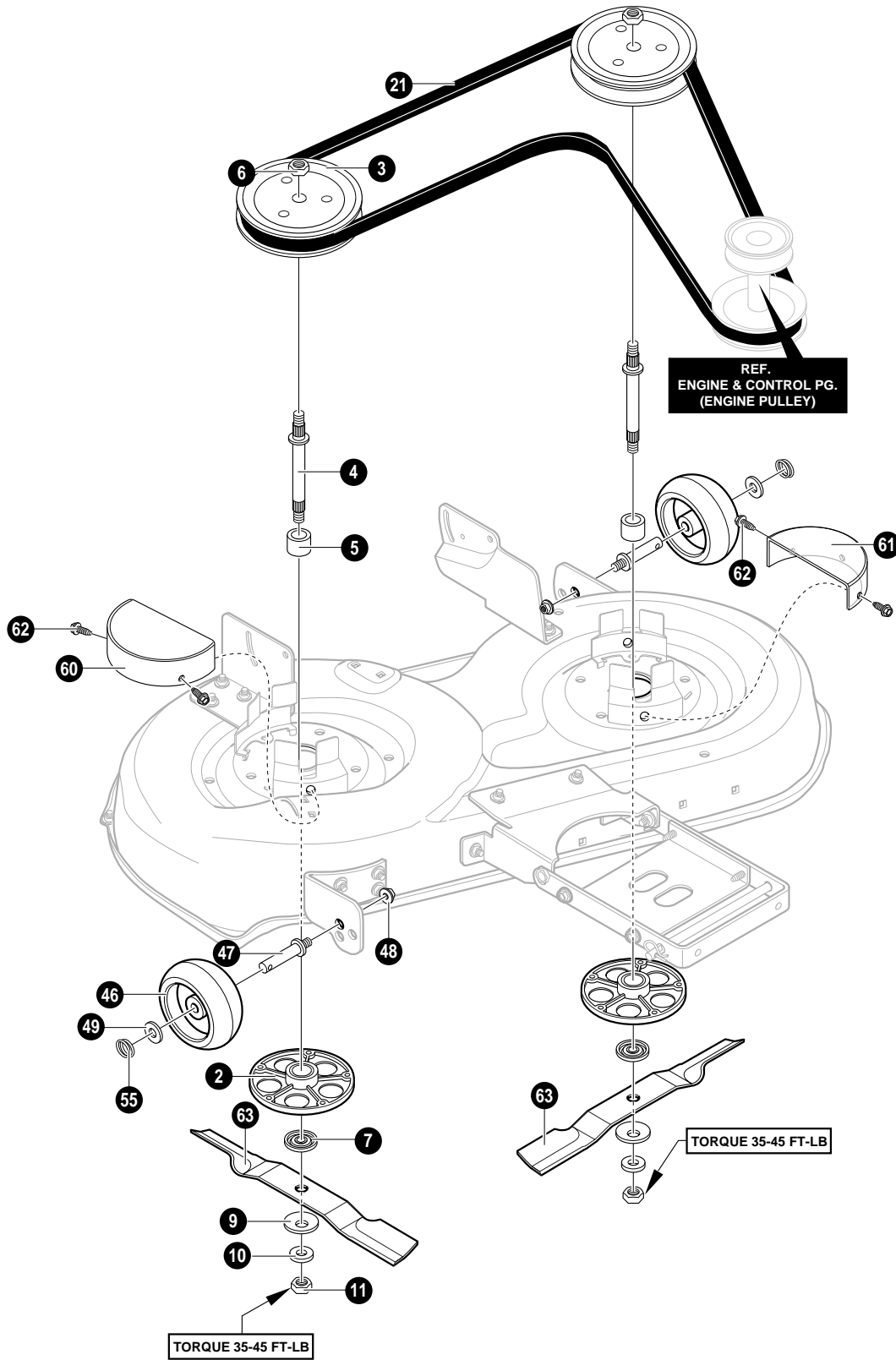
NOTE: ALWAYS USE ORIGINAL EQUIPMENT PARTS. Use of service/replacement parts other than original equipment parts may void your warranty .

ALL UNNUMBERED ITEMS ARE INTERCHANGEABLE WITH OPPOSITE SIDE

345038A

# DECK ASSEMBLY

KEY NO.	PART NO.	DESCRIPTION	QTY
1	94189-821	ASS'Y, BLADE HOUSING 42"	1
12	710199	SCREW, 3/8-16X1.25 WAHHSPTAP	10
13	94051-821	COVER, SEGMENT BELT GUIDE	4
14	690138-821	ASSEMBLY., BRACKET	1
14-1	94193	BRACKET, BRAKE	1
14-2	94047	BRAKE RH	1
14-3	94049	BRAKE LH	1
14-4	710227	TORSION SPRING .55LG	2
14-5	710098	BOLT.50X.75 , 3/8-16	3
14-6	710140	NUT,3/8-16	3
14-7	94781	SCREW - GUIDE	1
14-8	690408	ASS'Y, IDLER ARM	1
14-9	710205	NUT, 5/16-18	1
18	91801	PULLEY, IDLER	1
19	711622	NUT,3/8-16HWDFLK	1
20	341594-821	ASSEMBLY PLATE, REAR SUS.BRKT.LH	1
20-1	94128	PLATE - SUSPENSION	1
20-2	94055	SUSPENSION BRACKET REAR	1
20-3	710095	BOLT, SHOULDER 3/8-16	1
20-4	710140	NUT,3/8-16HWDFLK MACK	1
22	341593-821	ASSEMBLY PLATE,REAR SUS.BRKT.RH	1
22-1	94128	PLATE - SUSPENSION	1
22-2	94055	SUSPENSION BRACKET REAR	1
22-3	710095	BOLT, SHOULDER 3/8-16	1
22-4	710140	NUT,3/8-16	1
23	711611	BOLT, SHOULDER .375	2
24	710113	SPRING, TORSION	1
25	710112	SPRING,TORSION .68LG RH	1
26	711622	NUT,3/8-16	2
27	711600	WINGNUT	2
28	94137	PAD, FRICTION	2
29	711628	WASHER	2
36	711595	PIN, HANGER	2
37	711676	PIN, HAIR	2
38	711616	WASHER, FLAT	2
39	94687	DEFLECTOR CHUTE	1
40	95303	ZINC ROD, CHUTE DEFLECTOR	1
41	710194	SPRING, TORSION	1
42	711627	NUT, PUSH CAP	2
43	690058-821	SUB. ASSEMBLY BRACKET. & STIFFNER	1
43-1	94058	BRACKET, FRONT SUSPENSION	1
43-2	95057	STIFFENER	1
43-3	710079	SCREW, 5/16-18X.75	4
44	711611	BOLT, SHOULDER .375	2
45	711622	NUT,3/8-16HWDFLK MACK	2
50	94956-821	BRACKET, CHUTE ATTACH	1
51	711661	BOLT, 5/16-18X .63	2
52	711634	NUT, 5/16-18 WDFLLK	2
56	95295	ZINC ROD, HANGER	1
59	94686-821	DEFLECTOR SUPPORT	1
60	94669-821	GUARD, BELT RH	1
61	94668-821	GUARD, BELT LH	1
62	711642	SCREW,1/4-20X .63	4
71	95295	ROD, HANGER	1
72	711676	PIN, HAIR	1
75	711624	RIVET-SEMI	2



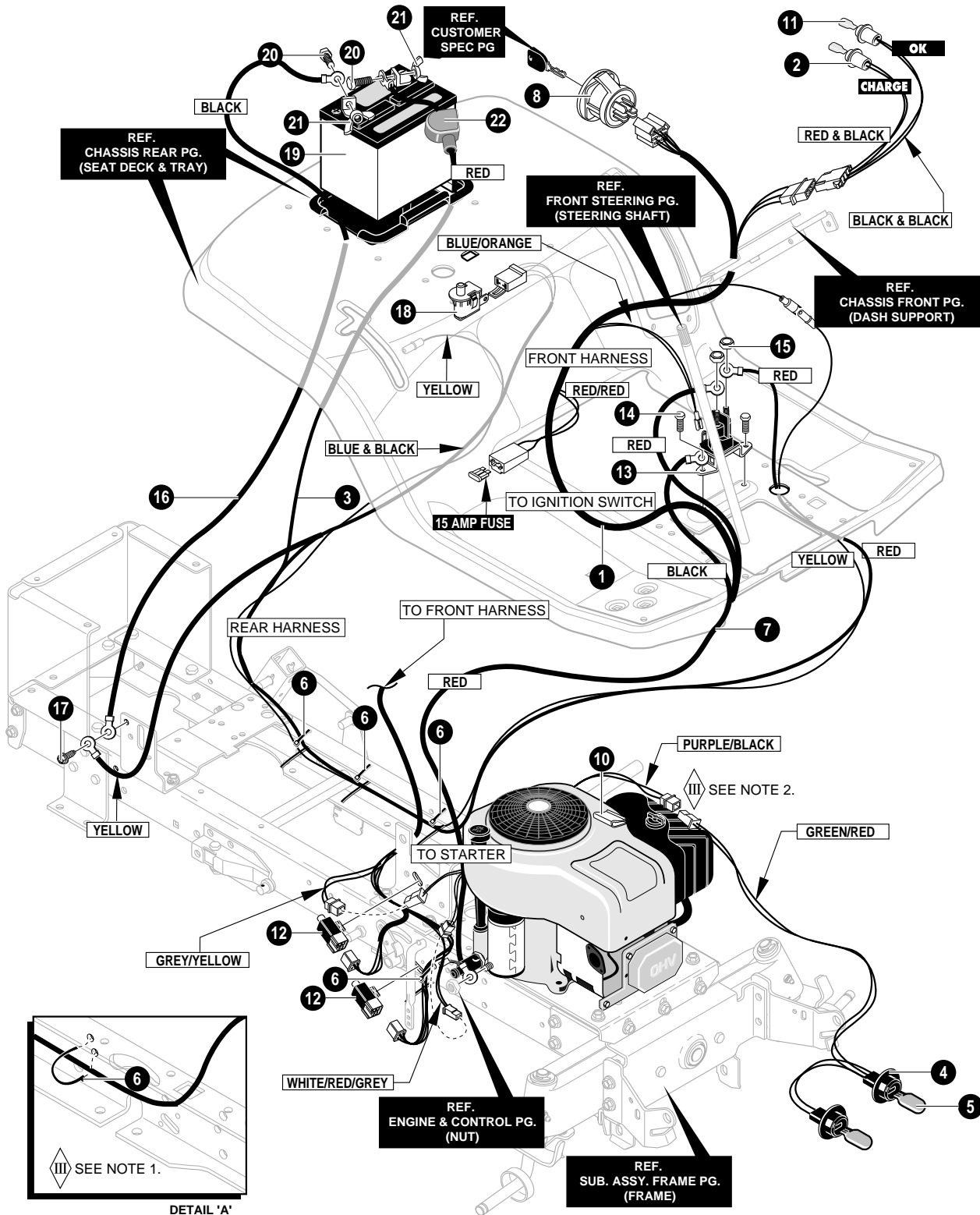
NOTE: ALWAYS USE ORIGINAL EQUIPMENT PARTS. Use of service/replacement parts other than original equipment parts may void your warranty.

ALL UNNUMBERED ITEMS ARE INTERCHANGEABLE WITH OPPOSITE SIDE

345038A

## DECK ASSEMBLY

KEY NO.	PART NO.	DESCRIPTION	QTY
2	92574	ASSEMBLY., JACKSHAFT HOUSING 42"	2
3	95308	PULLEY,SPLIT STEEL 42" DECK	2
4	94129	JACKSHAFT 7.12LG	2
5	94130	SPACER,.625 X .875 X 1.858	2
6	711626	NUT, 9/16-18 UNF-2B(15X121)	2
7	92466	ADAPTER, DECK/BLADE 38"	2
9	710118	WASHER, BELLVIL.625X1.75 17X166	2
10	710117	WASHER,FLAT .625X1.00X.188	2
11	710104	NUT, 9/16 REGHEX (15X100)	2
21	710213	BELT, 42" DECK (37X88)	1
46	92683	GAUGE WHEEL	2
47	711746	BOLT, 3/8-16X.63	2
48	711622	NUT, 3/8-16 HWDFLK MACK	2
49	711615	FLATWASHER .518X.87X16	2
55	711764	PIN, CIRCLE	2
63	95102	BLADE, 42"LOW LIFT	2

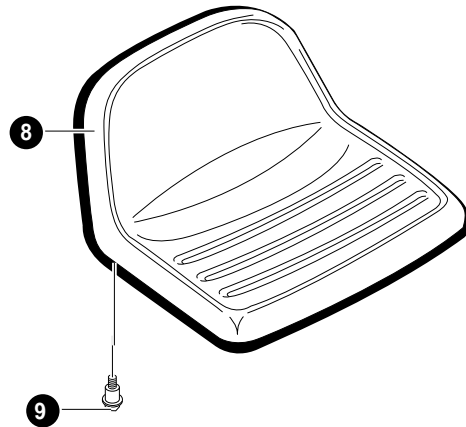
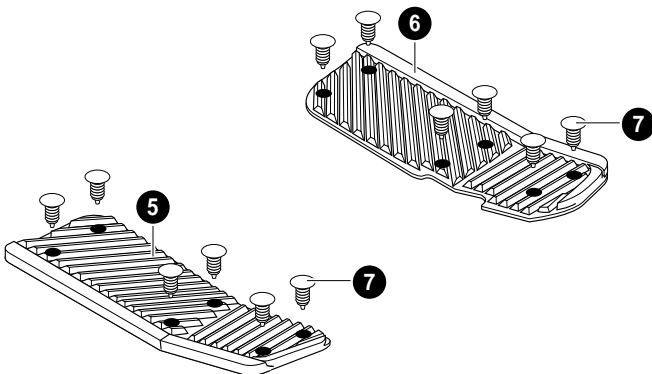
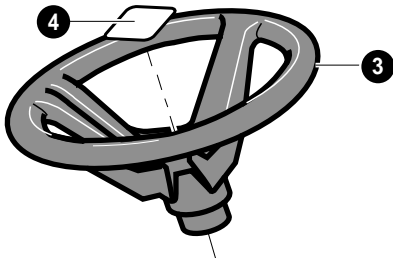
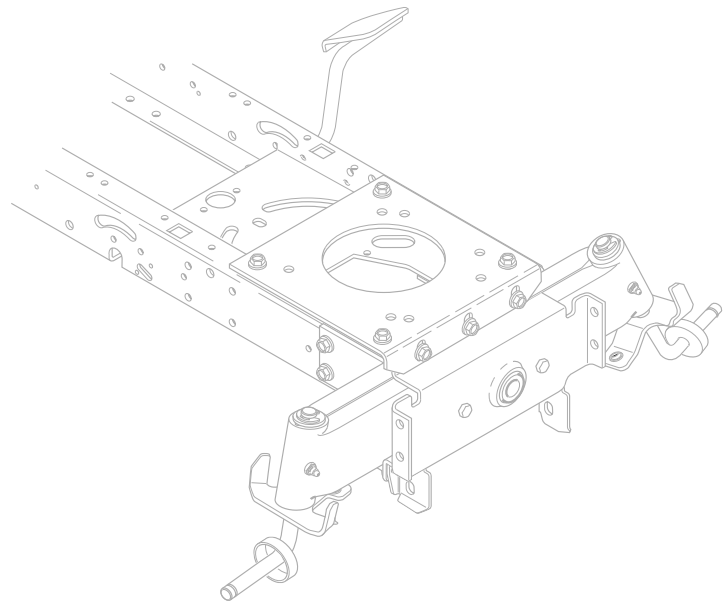
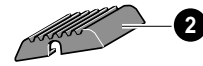


**NOTE**

1. WIRE HARNESS AND WIRE TIE TUCK UNDER RAIL.
2. LAY HEADLIGHT WIRES BETWEEN AIR CLEANER AND ENGINE COVER.

# ELECTRICAL ASSEMBLY

KEY NO.	PART NO.	DESCRIPTION	QTY
1	95374	WIRE HARNESS,INTEK	1
2	690054	INDICATOR HARNESS, OIL&OK	1
3	340530	WIRE HARNESS, REAR	1
4	94103	WIRE HARNESS FOR HEADLIGHTS	1
5	52572	BULB, HEADLAMP	2
6	57444	TIE, CABLE BLACK NYLON 5.62L	5
7	711579	WIRE, LEAD SOLENOID TO STARTER	1
8	94762	SWITCH, IGNITION	1
10	55939	WIRE CLIP, ADHESIVE	1
11	57769	BULB, INDICATOR	3
12	94136	SWITCH LIMIT	2
13	94613	SOLENOID	1
14	711619	SCREW,HHWATAP1/4X.50	2
15	711632	NUT, 1/4-20 HEXNYL	2
16	710228	WIRE, GROUND	1
17	711760	SCREW,1/4-20X.75	1
18	94159	SWITCH, SEAT	1
19	92739	BATTERY, 5 PLATE	1
20	711680	BOLT,1/4-20X.63	2
21	711636	NUT, WING 1/4-20	2
22	335417	BOOT, BATTERY	1
	302031	FUSE 15 AMP	



KEY NO.	PART NO.	DESCRIPTION	QTY
1	327350	IGNITION KEY	2
2	94630	PAD, CLUTCH/BRAKE	1
3	95184	WHEEL, STEERING	1
4	711325	INSERT 4-SPOKE	1
5	95438	FOOTREST PAD RH	1
6	95437	FOOTREST PAD LH	1
7	311087	RATCHET FASTENER	12
8	95236	SEAT	1
9	711740	BOLT, SHOULDER 5/16-18	2

344794A