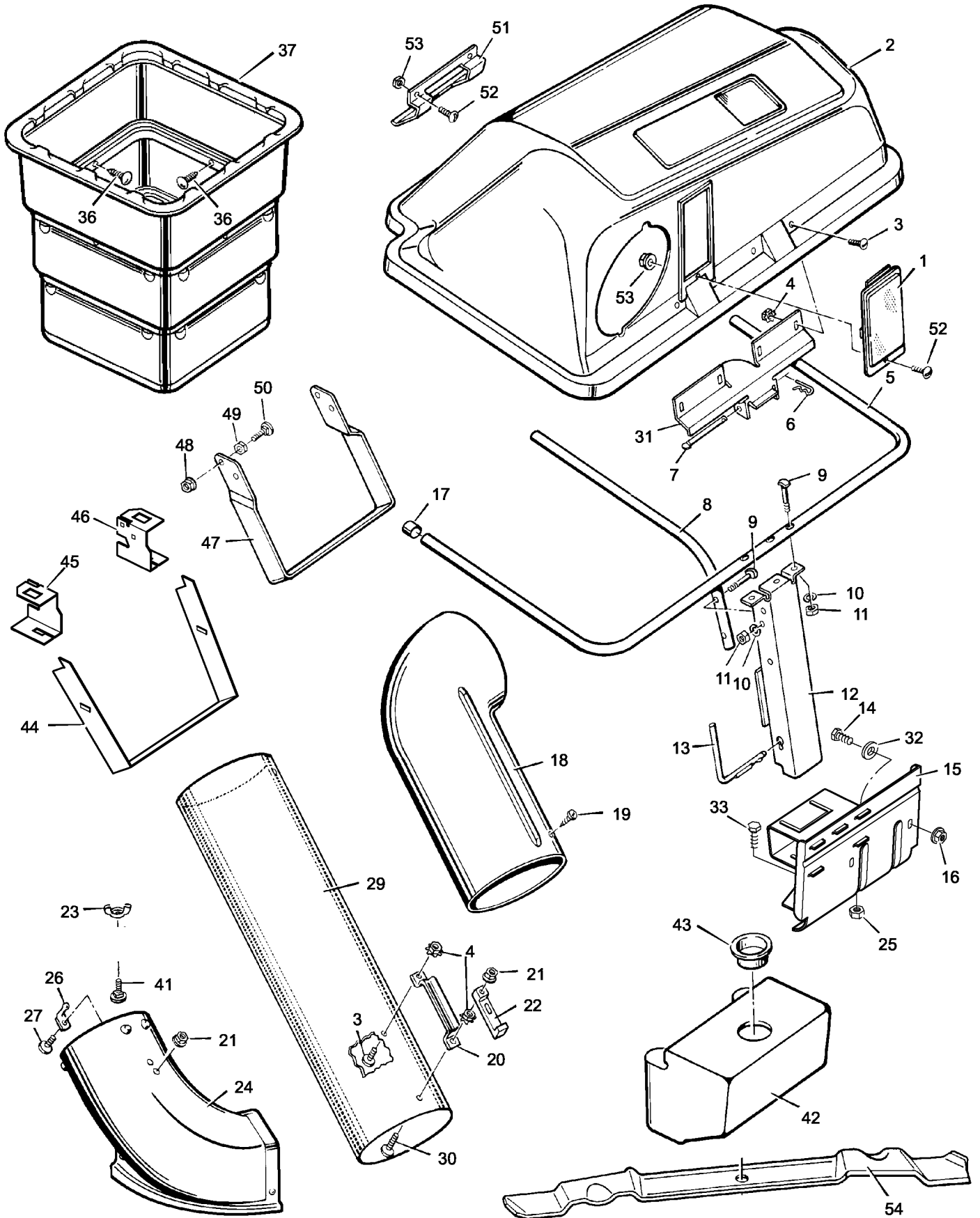


MODEL 24740x20B

REPAIR PARTS GRASS BAGGER



MODEL 24740x20B

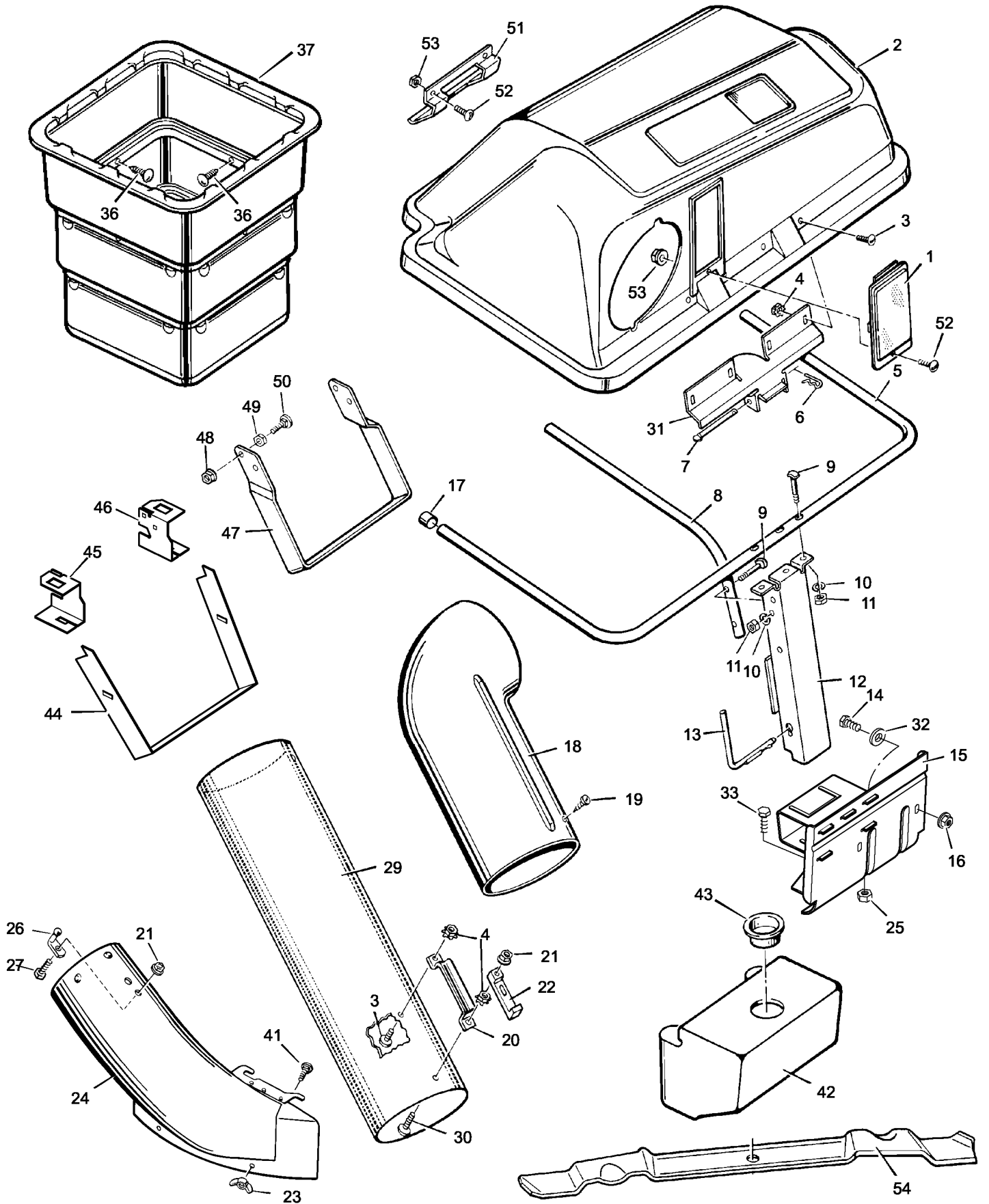
REPAIR PARTS GRASS BAGGER

Key No.	Description	Part No.	Key No.	Description	Part No.
1	Window	54575	26	Pin, Latch	54563
2	Cover	54576	27	Bolt, Carriage	2x39
3	Screw	4x24	29	Tube, Connector	91967
4	Locknut	15x66	30	Screw	4x71
5	Tube, "U"	54410E701	31	Hinge, Cover	54398E701
6	Pin, Hair	31x6	32	Washer	17x51Z
7	Pin, Hinge	54407Z	33	Bolt, Hex	1x125
8	Tube, Center	54412E701	36	Fastener, Plastic *	193x1
9	Bolt, Special	6x93Z	37	Containers (Quantity 2)	54727SE
10	Lockwasher	18x15	41	Bolt, Carriage	2x64
11	Nut, Hex	15x32	42	Shell, Front Weight	55441
12	Channel Assembly	54422E701	43	Plug, Front Weight	24863
13	Pin, Channel	54408Z	44	Support, Weight (Type A)	92386E701
14	Bolt, Hex	1x84	45	Bracket, Right Hanger	92385E701
15	Mount Assembly, Bagger	54587E701	46	Bracket, Left Hanger	92384E701
16	Nut, Hex	15x108	47	Support, Weight (Type B)	54552E701
17	Cap, End	24862	48	Nut, Flange	15x88
18	Elbow	91944	49	Nut, Jam	15x109
19	Screw	26x239	50	Carriage, Bolt	2x74
20	Handle, Connector Tube	54416E701	51	Handle, Plastic	54537
21	Locknut, Flange	15x89	52	Screw	4x21
22	Latch, Rubber	54965	53	Nut, Hex	15x81
23	Wingnut	14x86	54	Blade, High Lift (97cm)	91742E701
24	Tube, Extension	54564SE		Blade, High Lift (101 cm)	91871E701
25	Hex Nut	15x41	—	Book, Instruction	F-96901

* Included with Key No. 37.

MODEL 24730x20B

REPAIR PARTS GRASS BAGGER



MODEL 24730x20B

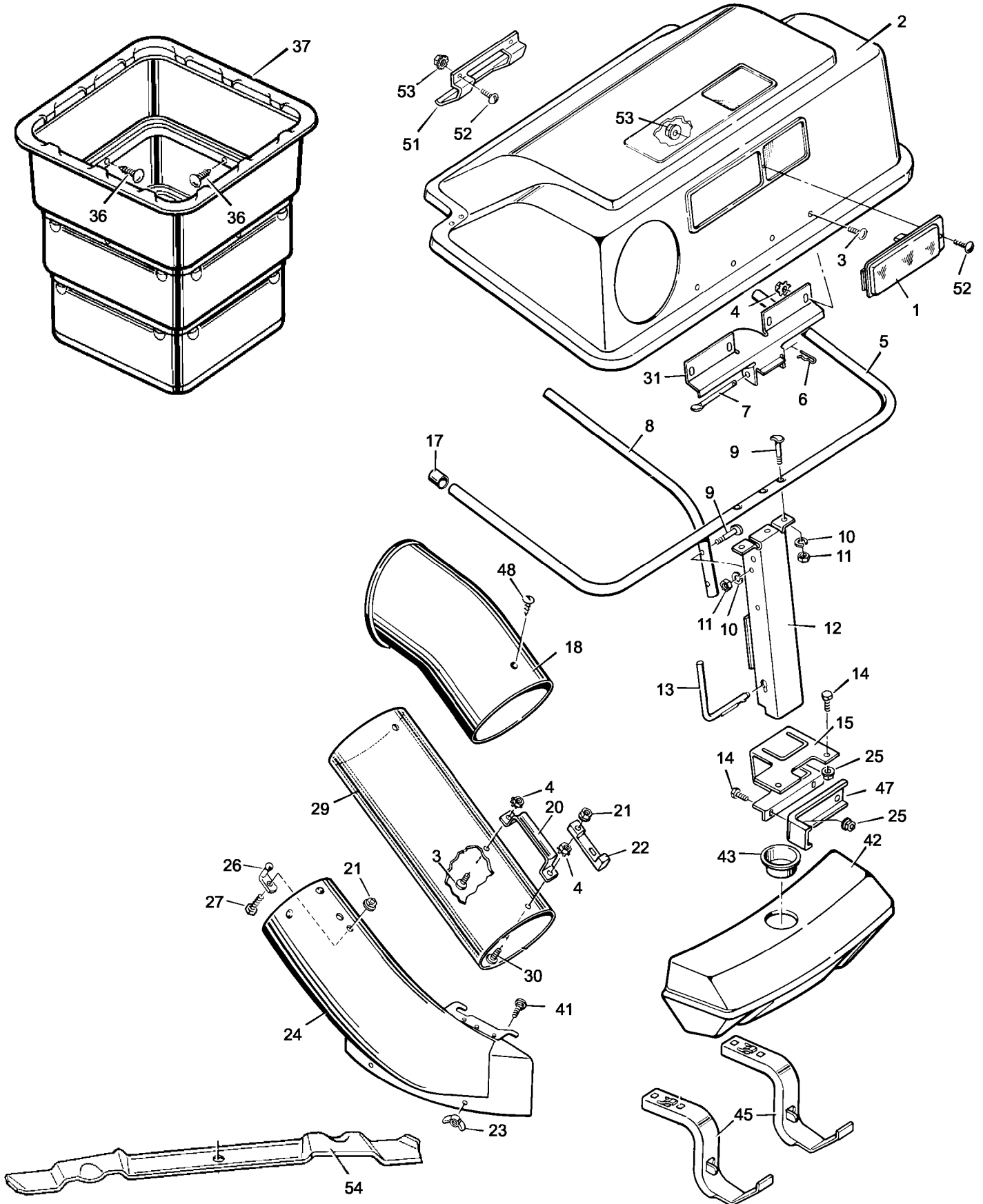
REPAIR PARTS GRASS BAGGER

Key No.	Description	Part No.	Key No.	Description	Part No.
1	Window	54575	26	Pin, Latch	54563
2	Cover	54576	27	Bolt, Carriage	2x39
3	Screw	4x24	29	Tube, Connector	54729
4	Locknut	15x66	30	Screw	4x71
5	Tube, "U"	54410E701	31	Hinge, Cover	54398E701
6	Pin, Hair	31x6	32	Washer	17x51Z
7	Pin, Hinge	54407Z	33	Bolt, Hex	1x125
8	Tube, Center	54412E701	36	Fastener, Plastic *	193x1
9	Bolt, Special	6x93Z	37	Containers (Quantity 2)	54727SE
10	Lockwasher	18x15	41	Bolt, Carriage	2x64
11	Nut, Hex	15x32	42	Shell, Front Weight	55441
12	Channel Assembly	54422E701	43	Plug, Front Weight	24863
13	Pin, Channel	54408Z	44	Support, Weight (Type A)	92386E701
14	Bolt, Hex	1x84	45	Bracket, Right Hanger	92384E701
15	Mount Assembly, Bagger	54587E701	46	Bracket, Left Hanger	92385E701
16	Nut, Hex	15x108	47	Support, Weight (Type B)	54552E701
17	Cap, End	24862	48	Nut, Flange	15x88
18	Elbow	91944	49	Nut, Jam	15x109
19	Screw	26x239	50	Carriage, Bolt	2x74
20	Handle, Connector Tube	54416E701	51	Handle, Plastic	54537
21	Locknut, Flange	15x89	52	Screw	4x21
22	Latch, Rubber	54695	53	Nut, Hex	15x81
23	Wingnut	14x86	54	Blade, High Lift (76 cm)	56246E701
24	Tube, Extension	54574	—	Book, Instruction	F-96902
25	Hex Nut	15x41			

* Included with Key No. 37.

MODEL 24050x20C

REPAIR PARTS GRASS BAGGER



MODEL 24050x20C

REPAIR PARTS GRASS BAGGER

Key No.	Description	Part No.
1	Window	54575
2	Cover	54577
3	Screw	4x24
4	Locknut	15x66
5	Tube, "U"	54410E701
6	Pin, Hair	31x6
7	Pin, Hinge	54407Z
8	Tube, Center	54412E701
9	Bolt, Special	6x93Z
10	Lockwasher	18x15
11	Nut, Hex	15x32
12	Channel Assembly	54422E701
13	Pin, Channel	54408Z
14	Bolt, Hex	1x91
15	Hitch Assembly	54499E701
17	Cap, End	24862
18	Elbow	54415
20	Handle, Connector Tube	54416E701
21	Locknut, Flange	15x89
22	Latch, Rubber	54695
23	Wingnut	14x86
24	Tube, Chute Extension	54554
25	Locknut	15x76
26	Pin, Latch	54563
27	Bolt, Carriage	2x39
29	Tube, Connector	54555
30	Screw	4x71
31	Hinge, Cover	54398E701
36	Fastener, Plastic *	193x1
37	Containers (Quantity 2)	54727SE
41	Bolt, Carriage	2x64
42	Shell, Front Weight	55442
43	Plug, Front Weight	24863
45	Bracket, Front Weight	54551E701
47	Bracket, Support	54562E701
48	Screw	26x239
51	Handle, Plastic	54537
52	Screw	4x21
53	Nut, Hex	15x81
54	Blade, High-Lift	56246E701
-	Instruction Book	F-96900

* Included with Key No. 37.