

*M/36 91000*

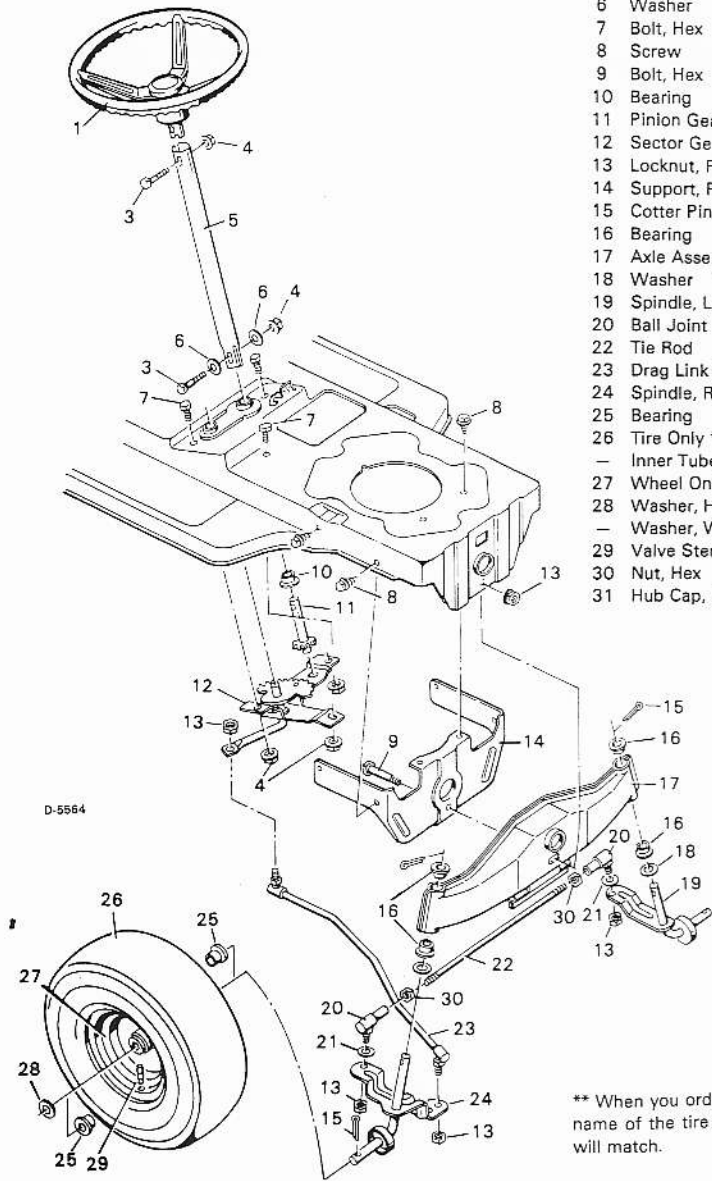
KEY  
NO. DESCRIPTION

- 1 Seat
- 2 Support, Seat
- 3 Locknut, Flange
- 4 Bolt, Shoulder
- 5 Bolt, Hex
- 6 Bracket, Seat Pivot
- 7 Screw
- 8 Washer
- 9 Lockwasher
- 10 Seat Deck
- 11 Spring
- 12 Locknut
- 13 Retainer, Spring
- 14 Support, Seat Deck
- 15 Clamp, Battery
- 16 Bolt, Carriage
- 17 Locknut, Flange
- 19 Spacer
- 20 Receptacle
- 21 Screw
- 22 Bearing, Steering
- 23 Dash Panel Assembly
- 24 Console
- 25 Screw
- 26 Retainer
- 27 Screw
- 28 Hood and Hinge Assembly
- 29 Reflector, Left Headlamp
- 30 Lens, Left Headlight
- 31 Bumper
- 32 Spring, Hood Latch
- 33 Bolt
- 34 Rod, Hood Stop
- 35 Lens, Right Headlight
- 36 Reflector, Right Headlamp
- 37 Locknut
- 38 Grille Assembly
- 39 Frame Extension
- 40 Mat, Foot Rest
- 41 Frame Channel
- 42 Screw
- 43 Screw
- 44 Clip, Battery

PART  
NO.

- 91453
- 91044F200
- 15x84
- 9x17
- 1x45
- 90031
- 26x49
- 17x47 Z
- 18x16
- 91387
- 164x17
- 15x76
- 90014
- 90633
- 90632 Z
- 2x53 Z
- 15x88
- 91314
- 28x52
- 26x238
- 91346
- 91328E701
- 91305
- 91330
- 90815
- 26x215
- 91376-200
- 91341 C
- 91319
- 91323
- 91322
- 6x91
- 91370 Z
- 91318
- 91340 C
- 15x66
- 91337F200
- 91315
- 90148
- 90001
- 26x201
- 26x235
- 55149

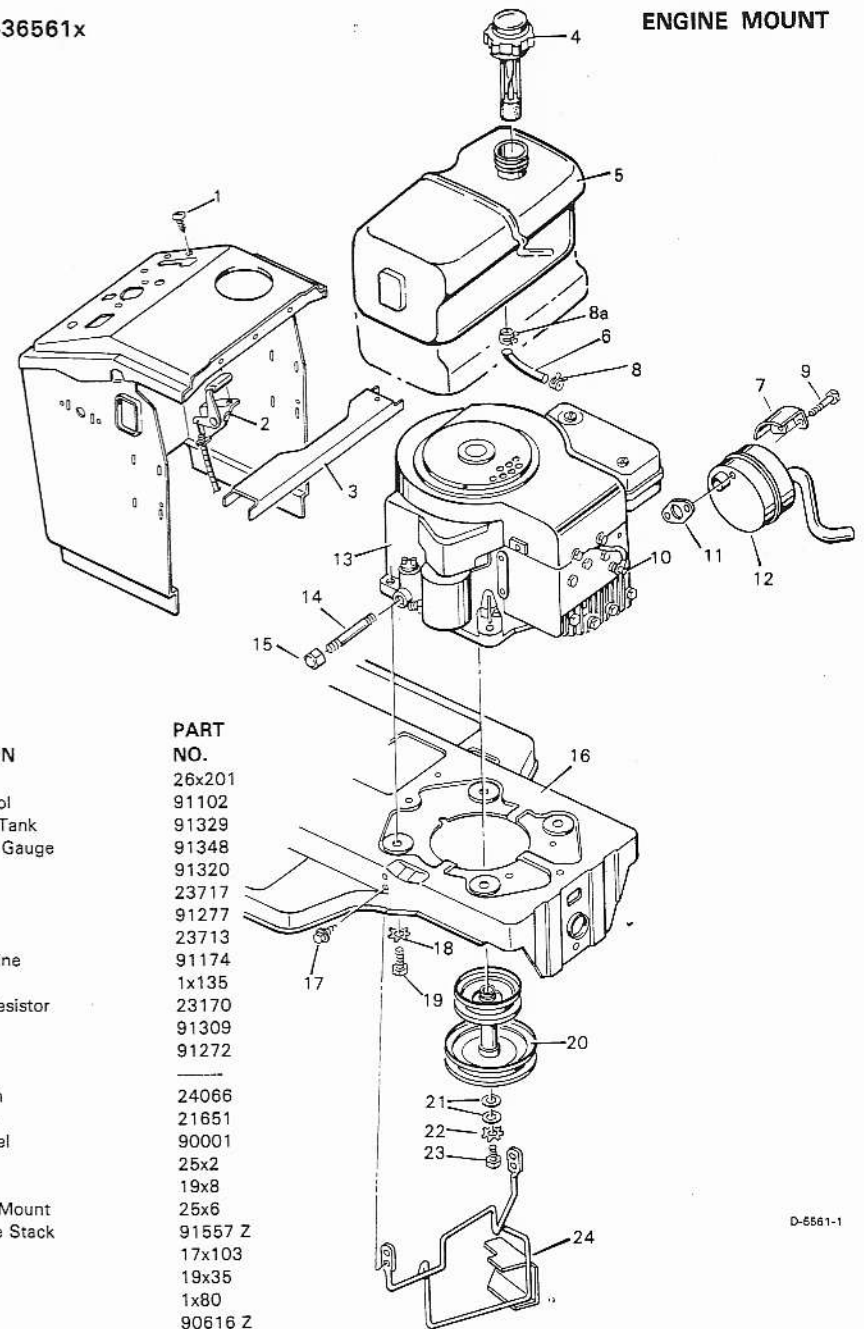
KEY NO.	DESCRIPTION	PART NO.
1	Steering Wheel	90576
3	Bolt, Hex	1x102
4	Locknut	15x88
5	Steering Post	91444 C
6	Washer	17x47 Z
7	Bolt, Hex	1x45
8	Screw	26x49
9	Bolt, Hex	1x101
10	Bearing	90035
11	Pinion Gear & Shaft	91445
12	Sector Gear Assembly	90025
13	Locknut, Flange	15x87
14	Support, Front Axle	90002
15	Cotter Pin	30x49
16	Bearing	90035
17	Axle Assembly	90034
18	Washer	17x113
19	Spindle, Left Hand	91461
20	Ball Joint	21031
22	Tie Rod	21475T
23	Drag Link Assembly	90041
24	Spindle, Right	91460
25	Bearing	91334
26	Tire Only **	24376
-	Inner Tube	407047
27	Wheel Only	24488
28	Washer, Hub Caps Only	17x115 Z
-	Washer, Without Hub Caps	17x83 Z
29	Valve Stem & Cap	24373
30	Nut, Hex	15x61 f
31	Hub Cap, Optional	21662



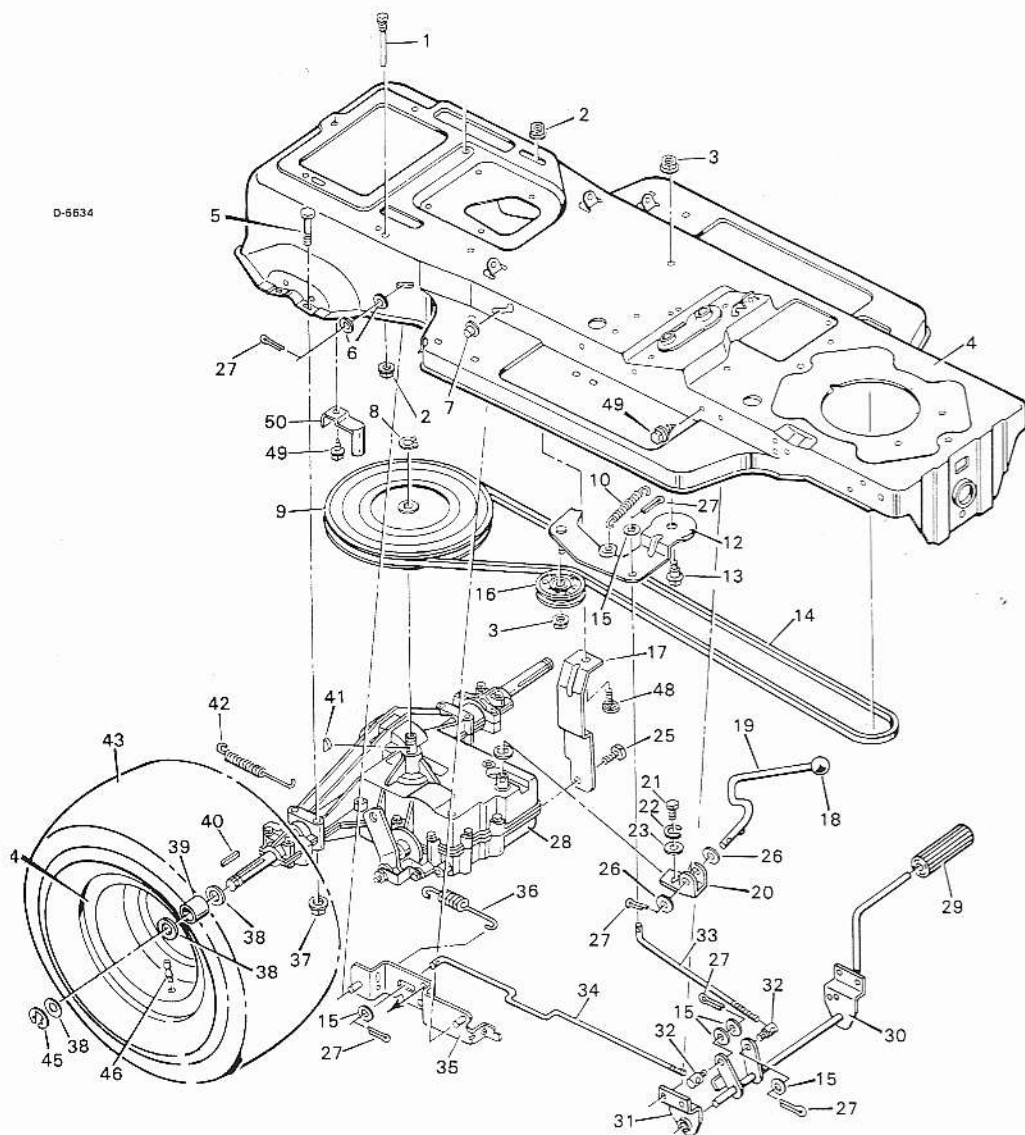
\*\* When you order a tire, make sure to give the brand name of the tire so that the tread pattern on the tire will match.

KEY NO.	DESCRIPTION	PART NO.
1	Screw	26x201
2	Throttle Control	91102
3	Support, Fuel Tank	91329
4	Fuel Cap with Gauge	91348
5	Fuel Tank	91320
6	Fuel Line	23717
7	Heat Shield	91277
8	Clamp, Hose	23713
8a	Clamp, Fuel Line	91174
9	Bolt, Hex	1x135
10	Spark Plug, Resistor	23170
11	Gasket	91309
12	Muffler	91272
13	Engine *	—
14	Pipe, Oil Drain	24066
15	Cap, Oil Drain	21651
16	Frame Channel	90001
17	Screw	25x2
18	Star Washer	19x8
19	Bolt, Engine Mount	25x6
20	Pulley, Engine Stack	91557 Z
21	Washer	17x103
22	Star Washer	19x35
23	Bolt, Hex	1x80
24	Guide, Belt	90616 Z

\* The engine model, type, and code numbers are on the engine. All parts to the engine are available from a Briggs & Stratton Authorized Service Center. See "Engines, Gasoline" or "Gasoline Engines" in the yellow pages of the telephone directory.



D-5634

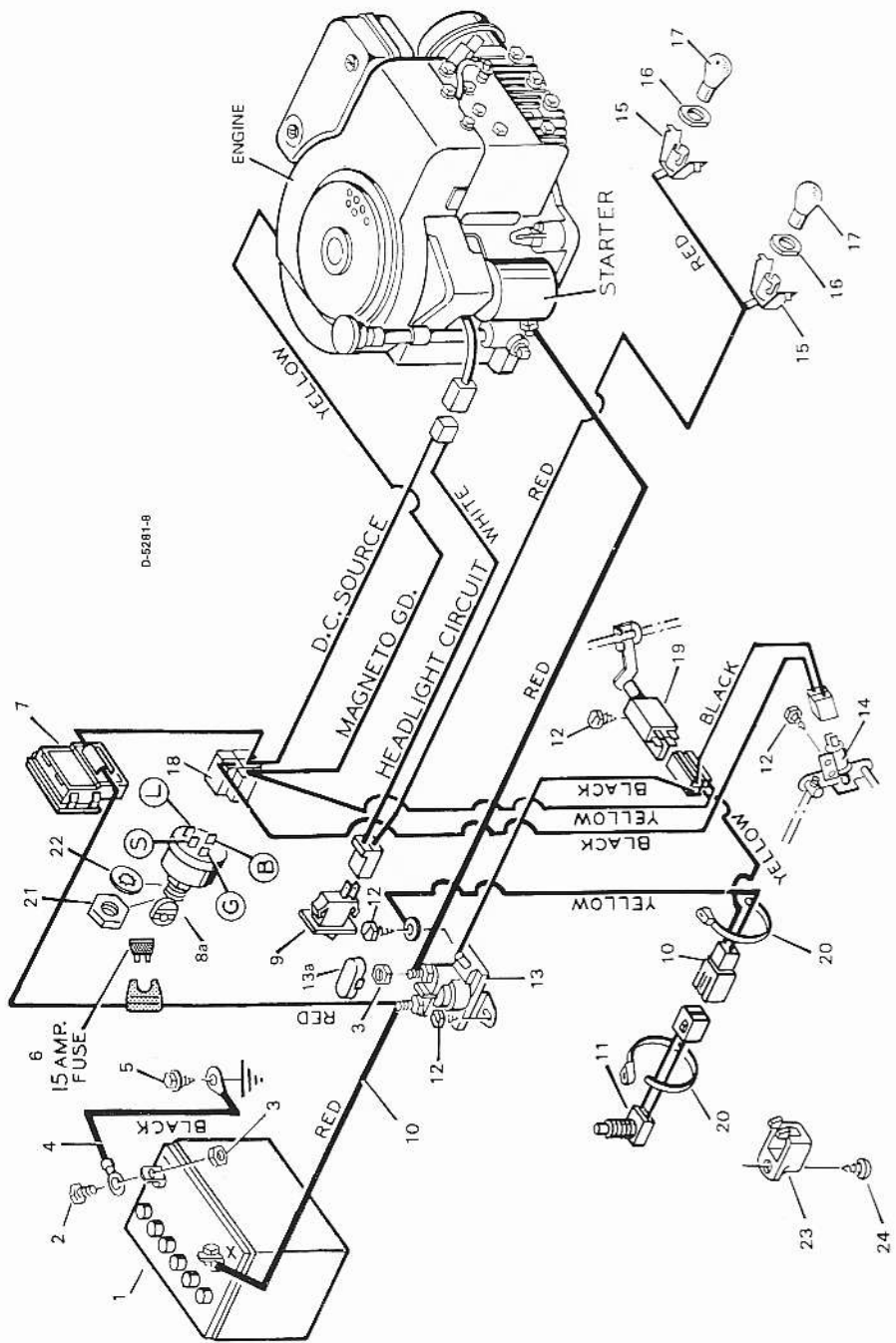
KEY  
NO. DESCRIPTION

1	Bolt, Belt Guide
2	Nut, Flange
3	Locknut, Flange
4	Frame Channel
5	Bolt, Hex
6	Washer
7	Retainer, Parking Brake
8	Ring, Retainer
9	Pulley, Drive
10	Spring, Extension
12	Idler Bracket Assembly
13	Bolt, Shoulder
14	Belt, Drive
15	Washer
16	Pulley, Idler
17	Support, Transaxle
18	Knob, Shift Lever
19	Lever, Shift
20	Yoke, Shifter
21	Bolt, Hex
22	Lockwasher
23	Washer
24	Washer
25	Screw
26	Washer
27	Pin, Cotter
28	Transaxle, **(Peerless 920-005)
29	Clutch and Brake Pedal
30	Lever Assembly
31	Bracket, Support
32	Nut, Adjustable
33	Rod, Clutch
34	Rod, Brake
35	Brake Link Assembly
36	Spring, Brake
37	Locknut, Flange
38	Washer, Transaxle
39	Spacer, Axle
40	Key, Square
41	Key, Woodruff #9
42	Spring
43	Tire Only *
-	Tube Only
44	Wheel Only
45	E-Ring
46	Valve Stem and Cap
48	Bolt, Carriage
49	Screw
50	Guide, Belt
51	Guide, Belt

PART  
NO.

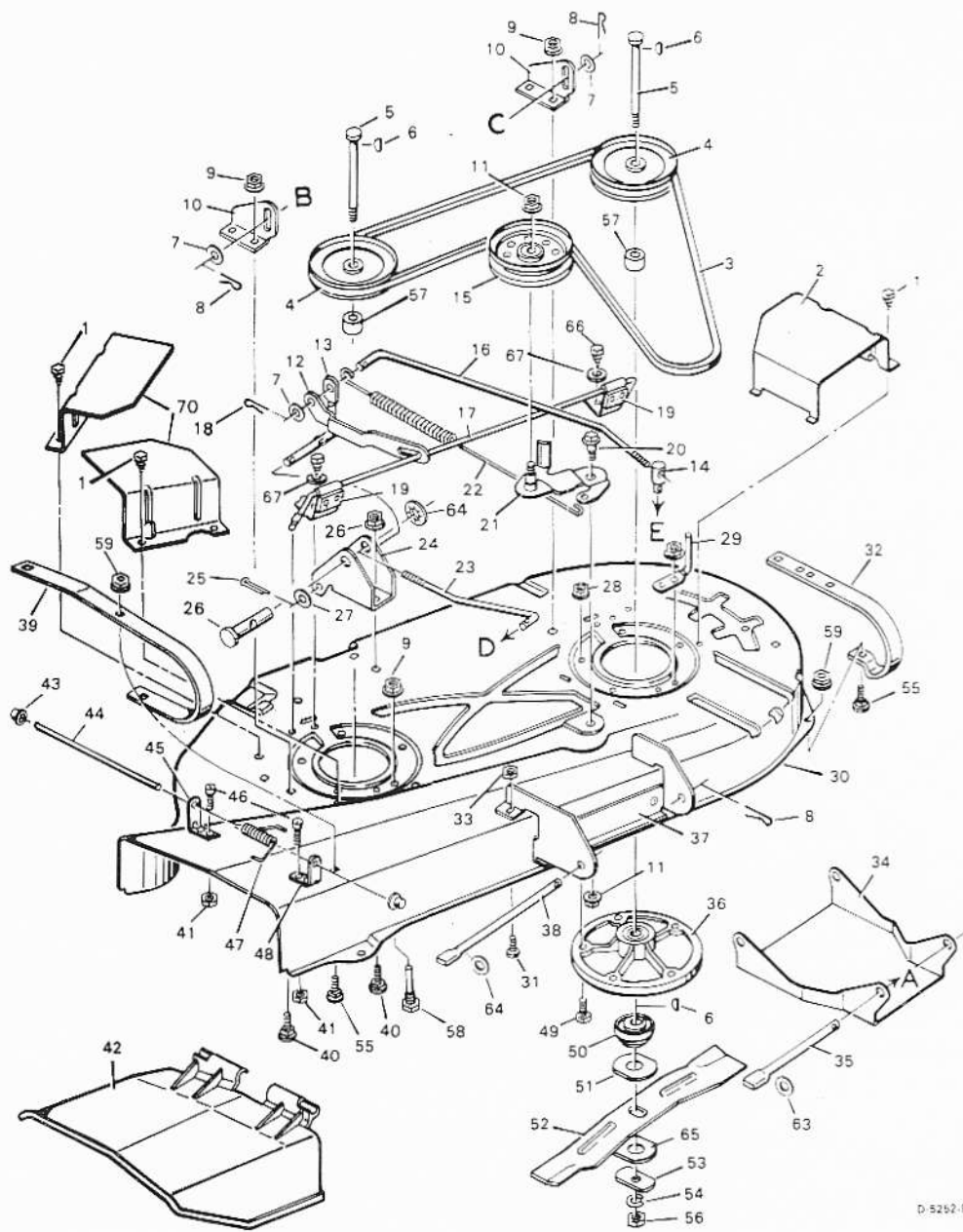
20619
15x79 Z
15x84
90001
1x98
17x116 Z
28x48
11x7
91170
165x39
90011 Z
9x12
37x45
17x53 Z
91179
91388 Z
20739
91390 Z
90812 Z
1x82
18x32
17x37 Z
17x134
26x207
17x102 Z
30x20
-----
21544
90766
90013
21920
90066 Z
90067 Z
90068
165x47
15x88
17x160
91394
21553
20697
165x34
24375
407049
24351
11x3
24373
2x53 Z
26x49
90694
90691

\* When you order a tire, make sure to give the brand name of the tire so that the tread pattern on the tire will match.  
 \*\* Parts are available from a Tecumseh Authorized Service Center. See "Engines, Gasoline" or "Gasoline Engines" in the yellow pages of the telephone directory.



D-5281-8

KEY NO.	DESCRIPTION	PART NO.
1	Battery Type U1-9	21075
--	Electrolyte (Battery Acid)	90665
--	Battery Caps	400262
2	Bolt, Hex	1x38
3	Locknut	15x66
4	Battery Cable, Black	24x9
5	Screw	26x49
6	Fuse	54212
--	Holder, Fuse	407078
7	Ammeter Assembly	90729
8	Ignition Switch	21064
8a	Key Only	20729
9	Light Switch	90647
10	Wire Harness	250x2
11	Switch, Seat	S91031
12	Screw	26x233
13	Solenoid	24285
13a	Cover, Solenoid	90565
14	Switch, Limit	24273
15	Light Socket Assembly	90155
16	Washer, Light Socket	90228
17	Headlight Bulb	90084
18	Wiring Harness	250x1
19	Switch, PTO	91299
20	Tie Strap	32618
21	Nut, Hex	15x105
22	Washer, Star	19x40
23	Cover, Seat Switch	56062
24	Screw	26x159



D-5252-B

KEY  
NO. DESCRIPTION

- 1 Screw
- 2 Pulley Cover
- 3 Belt, Blade Drive
- 4 Pulley, Jackshaft
- 5 Jackshaft
- 6 Key, Woodruff No. 6
- 7 Washer
- 8 Hairpin
- 9 Nut, Flange \*
- 10 Lifter Bracket \*
- 11 Locknut, Flange
- 12 Brake Bar
- 13 Lever, Pivot
- 14 Nut, Adjuster
- 15 Pulley, Idler
- 16 Rod, Blade Control
- 17 Rod, Blade Brake
- 18 Hairpin
- 19 Spring Assembly, Blade Brake
- 20 Bolt, Shoulder
- 21 Bracket Assembly, Idler
- 22 Spring
- 23 Rod, Link
- 24 Bracket, Rear Hanger \*
- 25 Pin, Cotter
- 26 Adjuster Bar
- 27 Washer
- 28 Locknut, Flange
- 29 Belt Guide
- 30 Housing, Blade  
Complete Blade Housing Assembly +
- 31 Screw, Machine \*
- 32 Skid, Left \*
- 33 Locknut \*
- 34 Hanger, Front

PART  
NO.

- 26x214
- 90117F200
- 37x43
- 23739
- 24578
- 20062
- 17x53Z
- 31x2
- 15x79Z
- 90103
- 15x84
- 90121Z
- 90113Z
- 90115
- 90118
- 90114Z
- 90122Z
- 31x4
- 90124
- 9x12
- 90110Z
- 165x33
- 90108Z
- 90104
- 30x20
- 90907
- 17x102Z
- 15x88
- 90120Z
- 91158F200
- 407918
- 4x24
- 90353
- 15x67
- 90106

KEY  
NO. DESCRIPTION

- 35 Rod, Hanger
- 36 Jackshaft Housing Assembly
- 37 Bracket, Front Hanger \*
- 38 Rod, Hanger
- 39 Skid, Right \*
- 40 Bolt, Carriage \*
- 41 Hex Nut \*
- 42 Deflector, Blade Housing
- 43 Push On Cap
- 44 Deflector Rod
- 45 Bracket, Rear Deflector \*
- 46 Screw, Machine No. \*
- 47 Spring, Torsional
- 48 Bracket, Front Deflector \*
- 49 Bolt, Hex
- 50 Adapter, Blade
- 51 Washer, Blade
- 52 Blade (2 required)
- 53 Washer
- 54 Lockwasher
- 55 Bolt, Carriage \*
- 56 Nut, Blade Hex
- 57 Spacer, Jackshaft
- 58 Bolt, Belt Guide
- 59 Nut, Hex \*
- 63 Washer
- 64 Washer
- 65 Washer, Under Blade
- 66 Screw
- 67 Washer
- 68 Nut, Push
- 69 Spring Helper
- 70 Cover, Pulley

PART  
NO.

- 90133Z
- 24384
- 90401
- 90107Z
- 90392
- 2x53
- 15x81
- 21154
- 28x23
- 21198Z
- 21187
- 4x21
- 166x4
- 21186
- 1x84
- 54211
- 21673Z
- 20930HT
- 20663Z
- 18x27
- 2x39
- 15x72
- 24533Z
- 20619
- 15x82
- 17x122Z
- 17x57Z
- 24614Z
- 26x195
- 18x32
- 28x54
- 91206
- 90614F200

\* These parts are included with key no. 30.

+ The complete blade housing includes key numbers 1 to 69. The pulley covers, key number 70, are not included with the complete blade housing.