

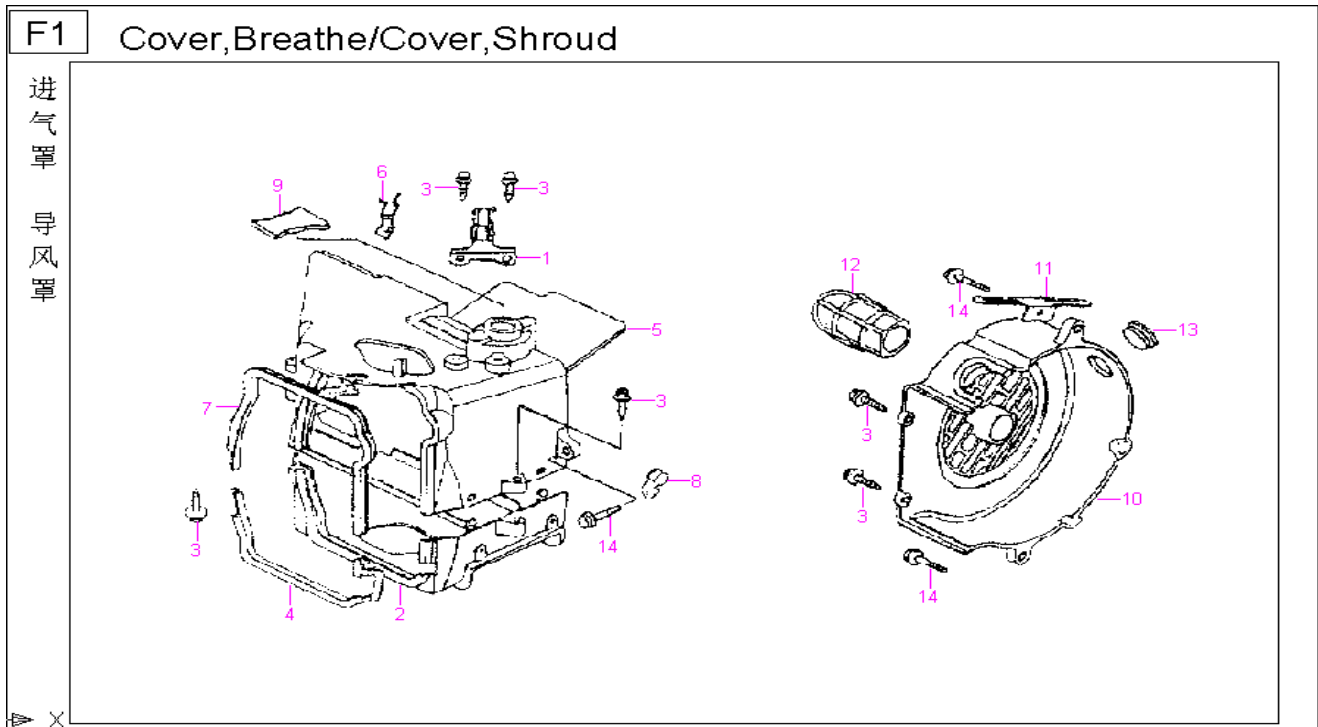
**ERING**

**Ersatzteile-Handbuch**

**Modell:**

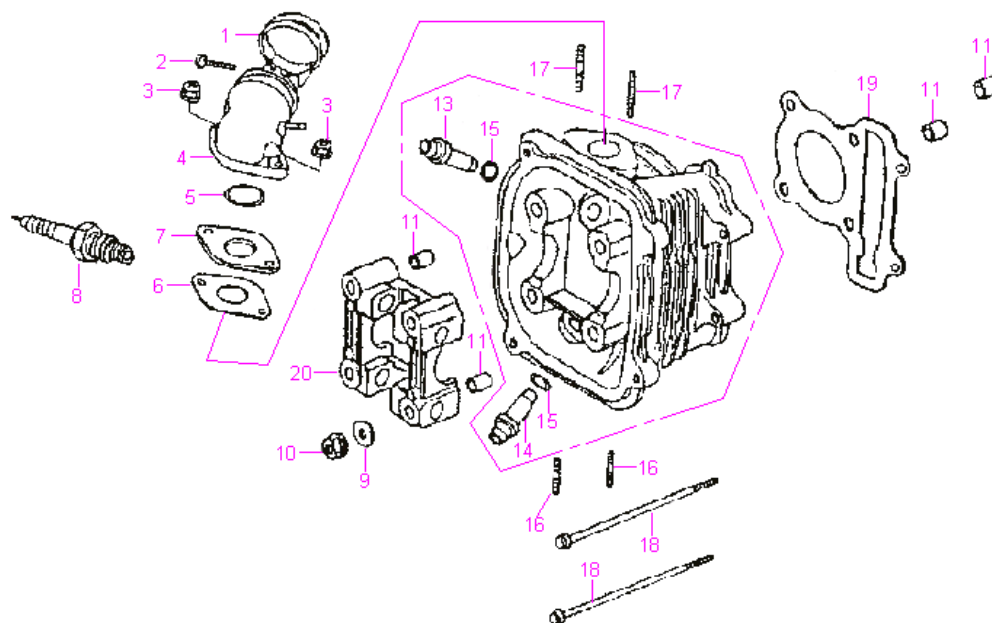
**HERO**

**BAOTIAN  
BT125T-12D**

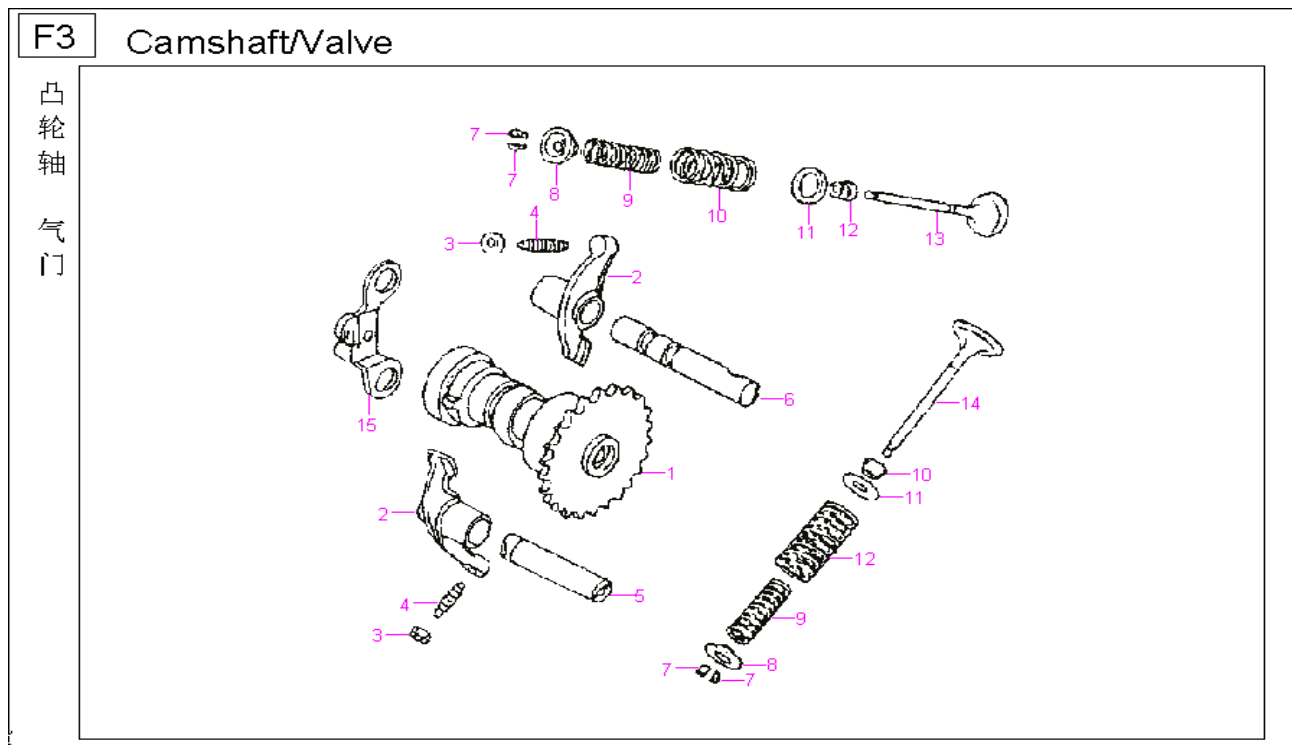


F1/1	108101-152QMI-0000	Clamper, breather tube	1
F1/2	119020-152QMI-0000	Upper shroud	1
F1/3	GB/T 845-1985	Screw tapping ST4.2*16	6
F1/4	108201-152QMI-0000	Seal ring A	1
F1/5	119010-152QMI-0000	Lower shroud	1
F1/6	119013-152QMI-0000	Cord clip	1
F1/7	108103-152QMI-0000	Seal ring B	1
F1/8	119002-152QMI-0000	Clamper, overflow tube	1
F1/9	108104-152QMI-0000	Rubber plug	1
F1/10	119030-152QMI-0000	Cover assy, breathe	1
F1/11	119034-152QMI-0000	Clamper, starter	1
F1/12	119033-152QMI-0000	Cooling tube	1
F1/13	119031-152QMI-0000	Observed plug	1
F1/14	GB/T 5787-1986 TEST	Bolt M6*25	3

**F2** Cylinder Head

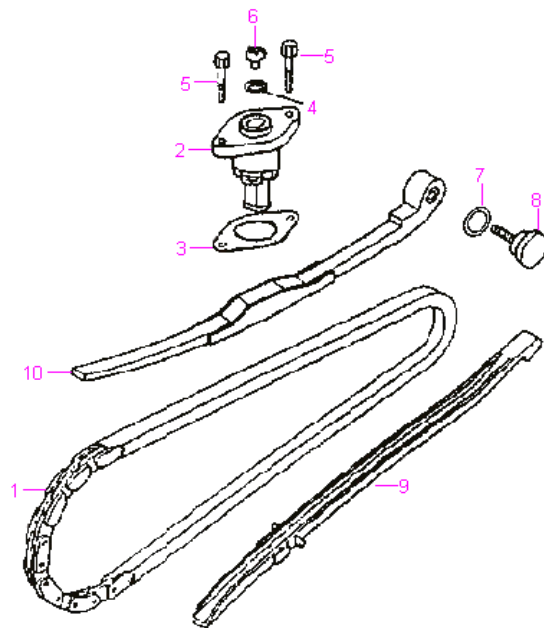
 气  
缸  
头


F2/1	101310-152QMI-0000	Clamper	1
F2/2	GB/T 818-1985	Screw M4*25	1
F2/3	GB/T 6177-1986	Nut M6	2
F2/4	101300-152QMI-0000	Pipe in	1
F2/5	GB3452.1	O-ring 27*2.0	1
F2/6	101305-152QMI-0000	Insulator, carburetor	1
F2/7	101306-152QMI-0000	Gasket, carburetor insulator	1
F2/8	101201-152QMI-0000	Spark plug(A7RTC)	1
F2/9	GBT97.1-8.4x18x2	Washer GBT97.1-8.4x18x2	4
F2/10	101203-152QMI-0000	Nut M8	4
F2/11	101204-152QMI-0000	Dowel Pin	4
F2/12	101215-152QMI-0000	Cylinder head	1
F2/13	101211-152QMI-0000	Guide pipe, in valve	1
F2/14	101213-152QMI-0000	Guide pipe, ex valve	1
F2/15	GB/T3452.1-9x1.6	O-ring 9*1.6	2
F2/16	101202-152QMI-0000	2-stud bolt M6*32	2
F2/17	101301-152QMI-0000	2-stud bolt M6*63	2
F2/18	GB/T 5787-1986	Bolt M6*100	2

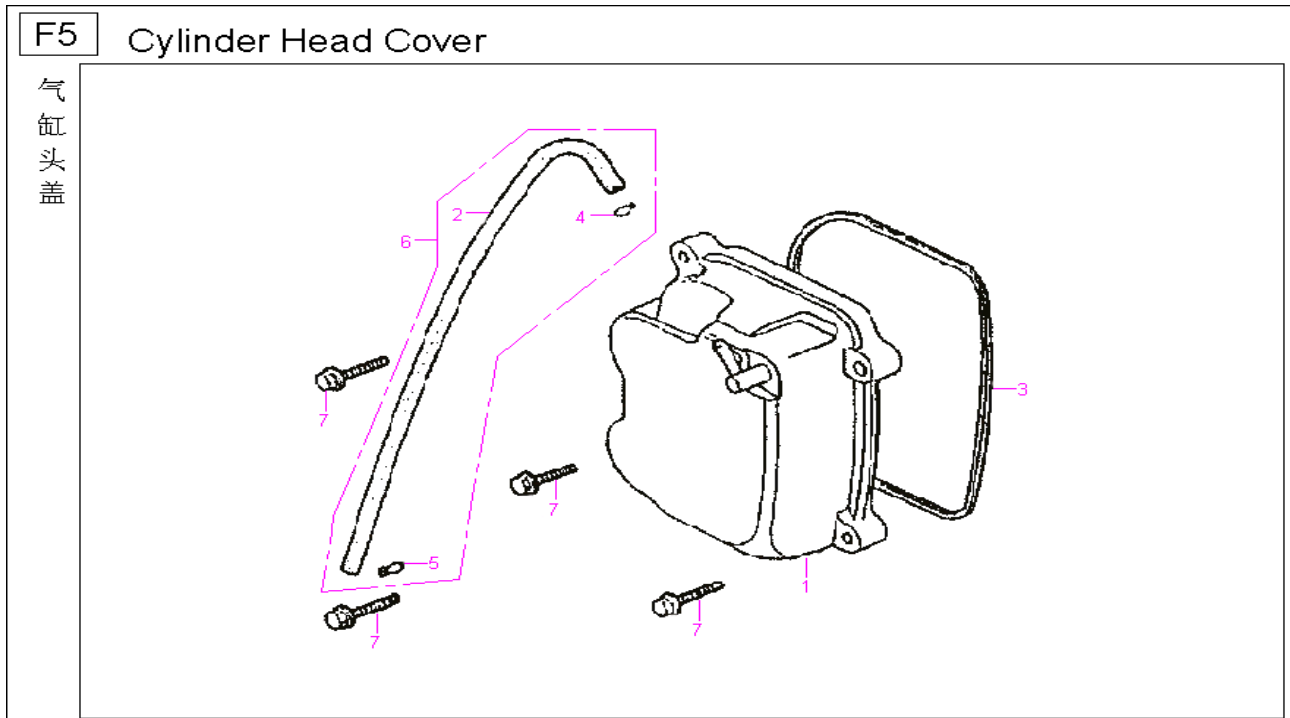


F3/1	110100-152QMI-0000	Camshaft Comp.	1
F3/2	101432-152QMI-0000	Arm,vale rocker	2
F3/3	101433-152QMI-0000	Nut	2
F3/4	101434-152QMI-0000	Adjusting screw	2
F3/5	101435-152QMI-0000	Shaft comp.,Ex.	1
F3/6	101436-152QMI-0000	Shaft comp., In	1
F3/7	101408-152QMI-0000	Lock, valve	4
F3/8	101407-152QMI-0000	Retainer, valve spring	2
F3/9	101405-152QMI-0000	Inner spring, valve	2
F3/10	101406-152QMI-0000	Outer spring, valve	2
F3/11	109116-152QMI-0000	Seat, valve spring	2
F3/12	GB13871-92	Seal, valve	2
F3/13	101402-152QMI-0000	Valve in.	1
F3/14	101401-152QMI-0000	Valve ex.	1
F3/15	109209-152QMI-0000	Stop plate	1

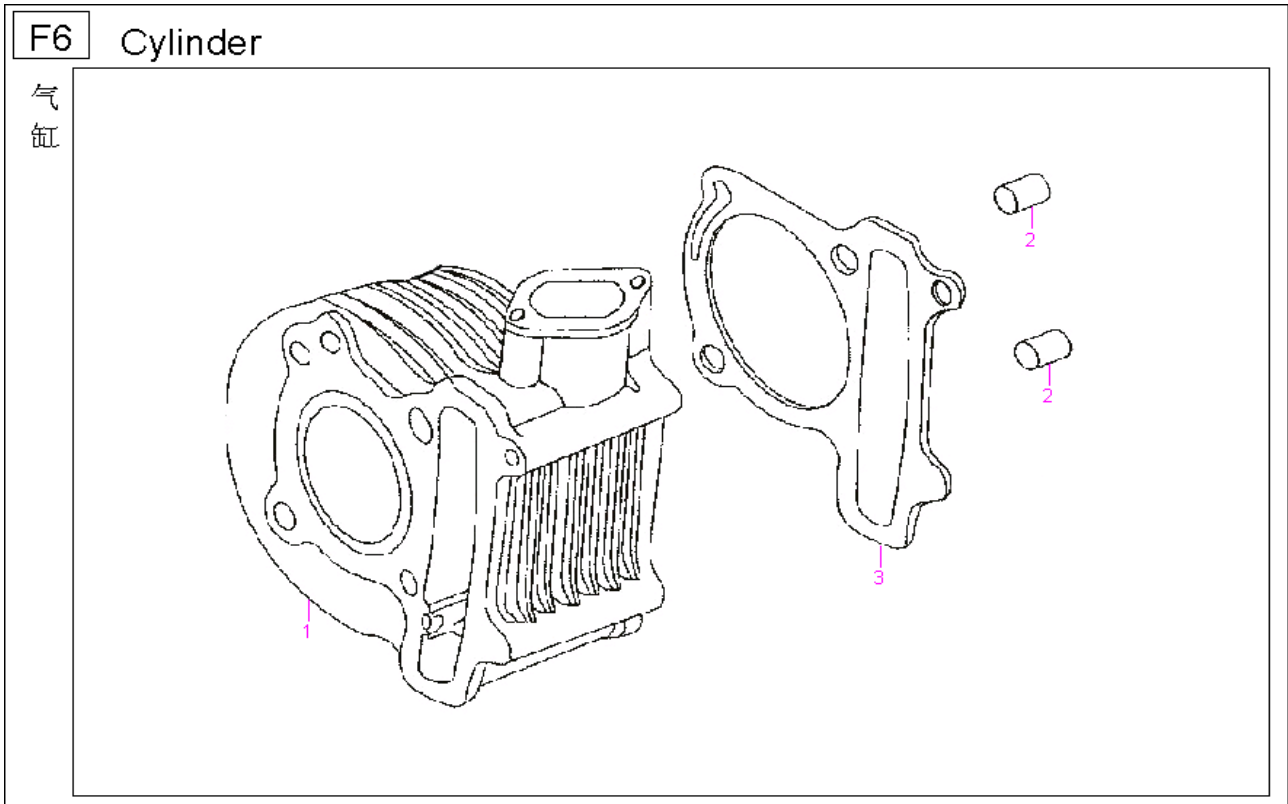
**F4** Camchain/Tensioner

 正时链条  
张紧器


F4/1	118200-152QMI-0000	Cam chain	1
F4/2	118300-152QMI-0000	Tensioning device	1
F4/3	118002-152QMI-0000	Gasket,tensioner device	1
F4/4	GB3452.1	O-ring 9.5*1.5	1
F4/5	GB/T 5787-1986	Bolt M6*22	2
F4/6	118301-152QMI-0000	Bolt M6*6	1
F4/7	GB3452.1	O-ring 15.2*1.5	1
F4/8	118001-152QMI-0000	Bolt,tensioning board	1
F4/9	118020-152QMI-0000	Guiding board comp.	1
F4/10	118010-152QMI-0000	Tensioning board comp.	1



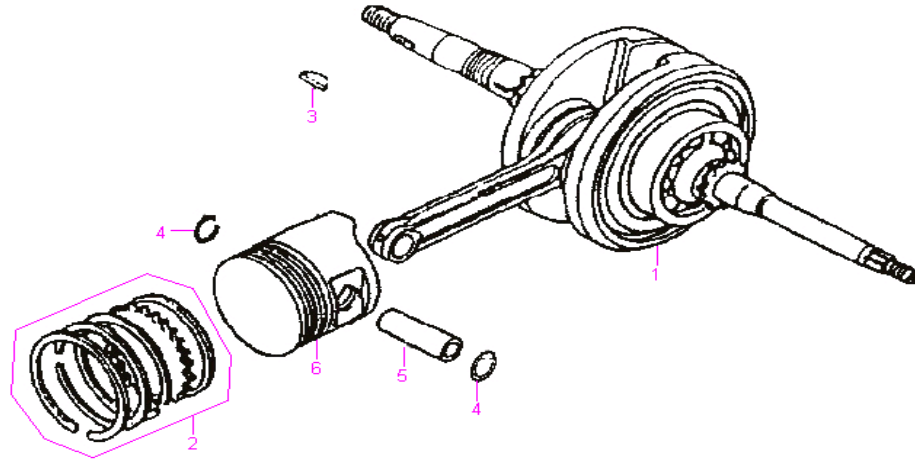
F5/1	101101-152QMI-0000	Cover comp.,cylinder head	1
F5/2	101105-152QMI-0000	Tube	1
F5/3	101102-152QMI-0000	Gasket,cylinder head cover	1
F5/4	101106-152QMI-0000	Tube clip B8	1
F5/5	101106-152QMI-0000	Tube clip B12	1
F5/6	108710-152QMI-0000	Tube assy	1
F5/7	GB/T 5787-1986	Bolt M6*25	4



F6/1	102010-152QMI-0000	Cylinder assy	1
F6/2	101204-152QMI-0000	Dowel Pin	2
F6/3	102003-152QMI-0000	Gasket,cylinder	1

F7 Crankshaft Assy./Piston

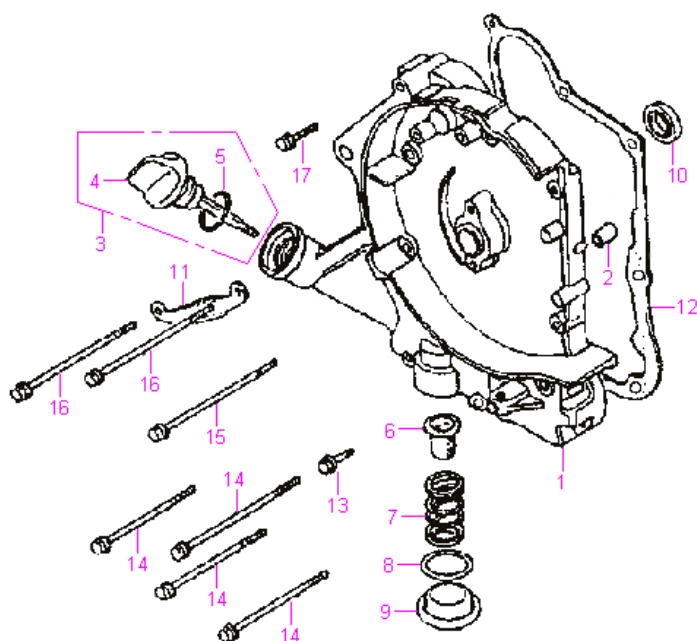
曲  
轴  
活  
塞



F7/1	107100-152QMI-0000	Crankshaft-rod assy	1
F7/2	107203-152QMI-0000	Ring set,piston	1
F7/3	107001-152QMI-0000	Woodruff key	1
F7/4	GB/895.1-15	Clip,piston pin	2
F7/5	107202-152QMI-0000	Piston pin	1
F7/6	107201-152QMI-0000	Piston	1

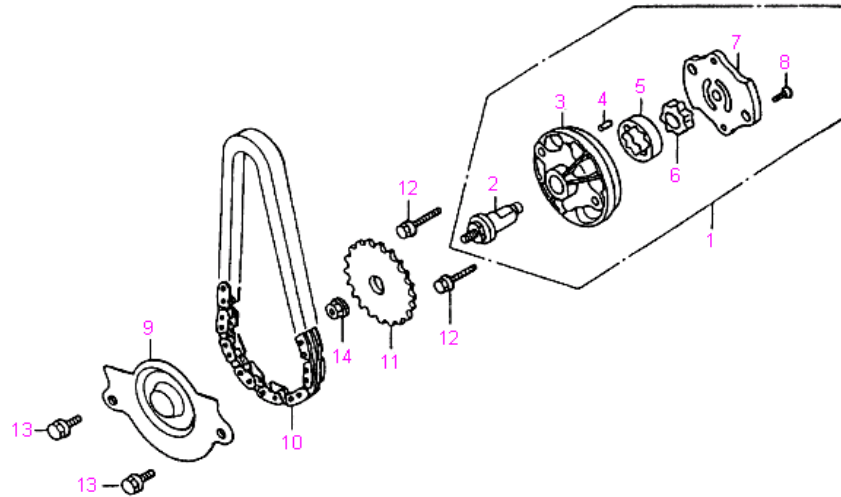
**F8** Right Crankcase Cover

右曲轴箱盖



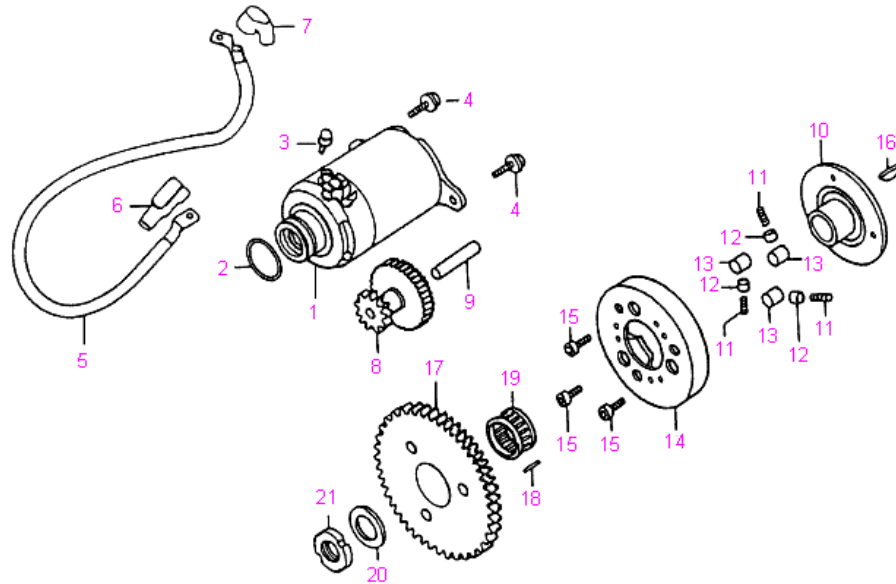
F8/1	106111-152QMI-0000	Right crankcase cover	1
F8/2	103002-152QMI-0000	Dowel Pin	2
F8/3	106100-152QMI-0000	Gauge assy., oil level	1
F8/4	106101-152QMI-0000	Oil level gauge	1
F8/5	GB3452.1	O-ring 18*3	1
F8/6	106212-152QMI-0000	Screen,oil filter	1
F8/7	106202-152QMI-0000	Spring,oil filter screen	1
F8/8	GB3452.1	O-ring 30.8*3	1
F8/9	106201-152QMI-0000	Cap,oil filter screen	1
F8/10	YF 19.8*30*5	Oil seal YF19.8*30*5	1
F8/11	106103-152QMI-0000	Clamper,A.C Generator cord	1
F8/12	106001-152QMI-0000	Gasket,right crankcase cover	1
F8/13	GB/T 5787-1986	Bolt M6*32	1
F8/14	GB/T 5787-1986	Bolt M6*95	4
F8/15	GB/T 5787-1986	Bolt M6*100	1
F8/16	GB/T 5787-1986	Bolt M6*110	2
F8/17	GB/T 5787-1986	Bolt M6*40	1

## F9 Oil Pump

机  
油  
泵

F9/1	108000-152QMI-0000	Oil pump assy.	1
F9/2	108125-152QMI-0000	Oil pump shaft	1
F9/3	108121-152QMI-0000	Oil pump body	1
F9/4	GB119.1-2000	Dowel pin 4*6.5	1
F9/5	108123-152QMI-0000	Outer rotor,oil pump	1
F9/6	108124-152QMI-0000	Inner rotor,oil pump	1
F9/7	108122-152QMI-0000	Plate	1
F9/8	GB/T 818-1985	Screw M3*10	1
F9/9	108002-152QMI-0000	Oil separator	1
F9/10	108003-152QMI-0000	Oil pump chain	1
F9/11	108110-152QMI-0000	Driven sprocket,oil pump	1
F9/12	GB/T 5787-1986	Bolt M6*25	2
F9/13	GB/T 5787-1986	Bolt M6*12	2
F9/14	GB/T 6177-1986	Nut M6	1

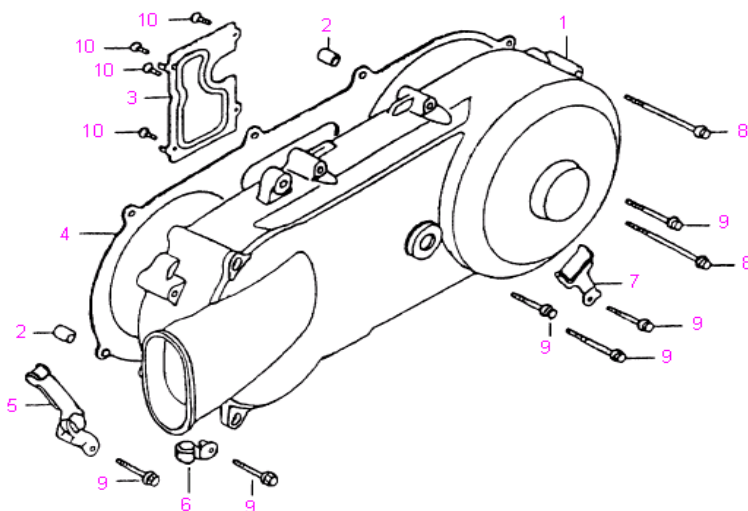
**F10** Starting Motor

 起  
动  
电  
机


F10/1	109111-152QMI-0000	Starter motor assy.	1
F10/2	GB3452.1	O-ring 24.4*3.1	1
F10/3	GB/T 5787-1986	Bolt M5*8	1
F10/4	GB/T 5787-1986	Bolt M6*16	2
F10/5	109112-152QMI-0000	Starting motor cable	1
F10/6	109113-152QMI-0000	Rubber A	1
F10/7	109114-152QMI-0000	Rubber B	1
F10/8	109001-152QMI-0000	Electric starting gear	1
F10/9	109121-152QMI-0000	Shaft,electric starting	1
F10/10	109220-152QMI-0000	Flange,starting clutch	1
F10/11	118154-152QMI-0000	Spring,starting clutch roller	3
F10/12	118155-152QMI-0000	Cap, starting clutch roller spring	3
F10/13	118157-152QMI-0000	Roller	3
F10/14	109222-152QMI-0000	Outer comp.,starting clutch	1
F10/15	GB/T 70-1985	Bolt M6*12	3
F10/16	GB/T 1099-1979	Woodruff key	1
F10/17	109210-152QMI-0000	Gear comp.,starting clutch	1
F10/18	DWX5*6	Dowel pin 5*6	1
F10/19	109214-152QMI-0000	Needle bearing	1
F10/20	GB/T 97.1-1985	Washer 22.6*31*2.5	1
F10/21	GB/T 812-1988	Nut M22	1

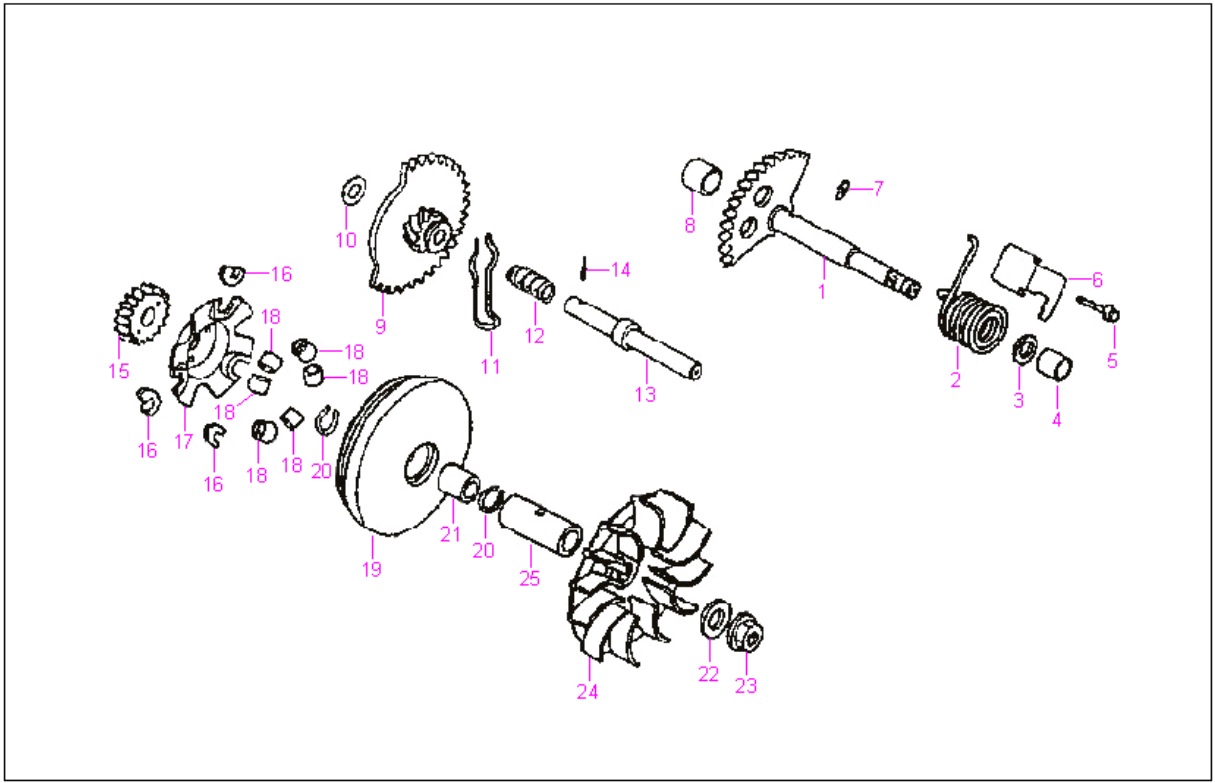
**F11** Left Crankcase Cover

左曲轴箱盖



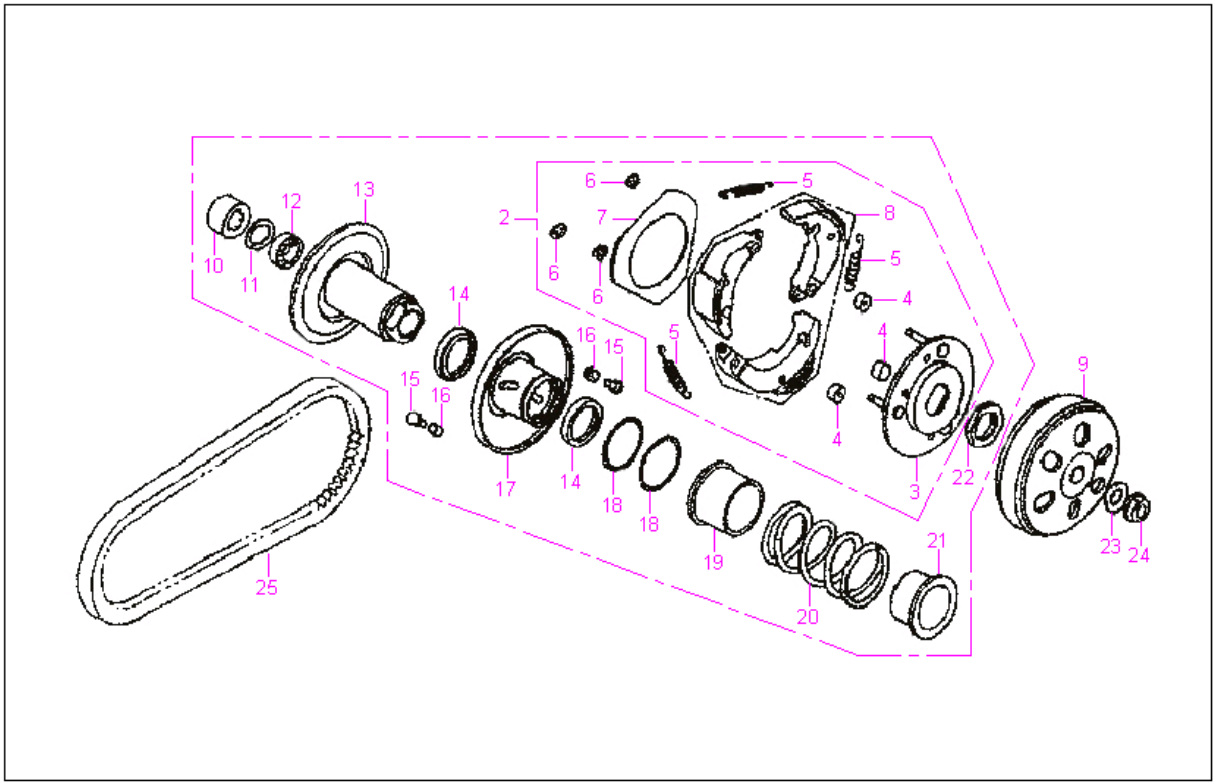
F11/1	103101-152QMI-0000	Left crankcase cover	1
F11/1A	103101A-152QMI-0100	Left crankcase cover	1
F11/1B	103101B-152QMI-0200	Left crankcase cover	1
F11/2	103002-152QMI-0000	Dowel pin	2
F11/3	103106-152QMI-0100	Guiding plate	1
F11/4	103001-152QMI-0000	Gasket, left cover	1
F11/4A	103001A-152QMI-0100	Gasket, left cover	1
F11/5	103102-152QMI-0000	Clamber	1
F11/6	103005-152QMI-0000	Clamber, overflow tube	1
F11/7	103003-152QMI-0000	Clamber, brake cable	1
F11/8	GB/T 5787-1986	Bolt M6*65	2
F11/9	GB/T 5787-1986	Bolt M6*40	6
F11/10	GB/T 818-1985	Screw M4*8	4

**F12** Drive Pulley

 驱动  
皮  
带  
轮


F12/1	110200-152QMI-0000	Spindle comp.,kick starter	1
F12/1A	110200A-152QMI-0000	Spindle comp.,kick starter	1
F12/2	110214-152QMI-0000	Spring,kick starter	1
F12/3	110216-152QMI-0000	Washer 14	1
F12/4	110215-152QMI-0100	Bush,kick spindle	1
F12/5	GB/T 5787-1986	Bolt M6*14	1
F12/6	110203-152QMI-0000	Stop board	1
F12/7	11021D-152QMI-0000	Pin 4.5	1
F12/8	110215-152QMI-0000	Bush	1
F12/9	110235-152QMI-0000	Start idler	1
F12/10	GB/T 97.1-1985	Washer 12.5	1
F12/11	110231-152QMI-0000	Spring	1
F12/12	110232-152QMI-0000	Spring,driver shaft	1
F12/13	110233-152QMI-0000	Driver shaft,start idler	1
F12/14	110234-152QMI-0000	Roller 3*8.5	1
F12/15	110204-152QMI-0000	Driven gear	1
F12/16	114103-152QMI-0000	block	3
F12/17	114101-152QMI-0000	Plate	1
F12/18	114120-152QMI-0000	Roller set	6
F12/19	114110-152QMI-0000	Right comp.,driver	1
F12/20	114113-152QMI-0000	Clip	2
F12/21	116215-152QMI-0000	Collar	1
F12/22	GB/T 97.1-1985	Washer 12	1
F12/23	GB/T 6177-1986	Nut M12	1
F12/24	114104-152QMI-0000	Left,driver	1
F12/25	114102-152QMI-0000	Collar bush	1

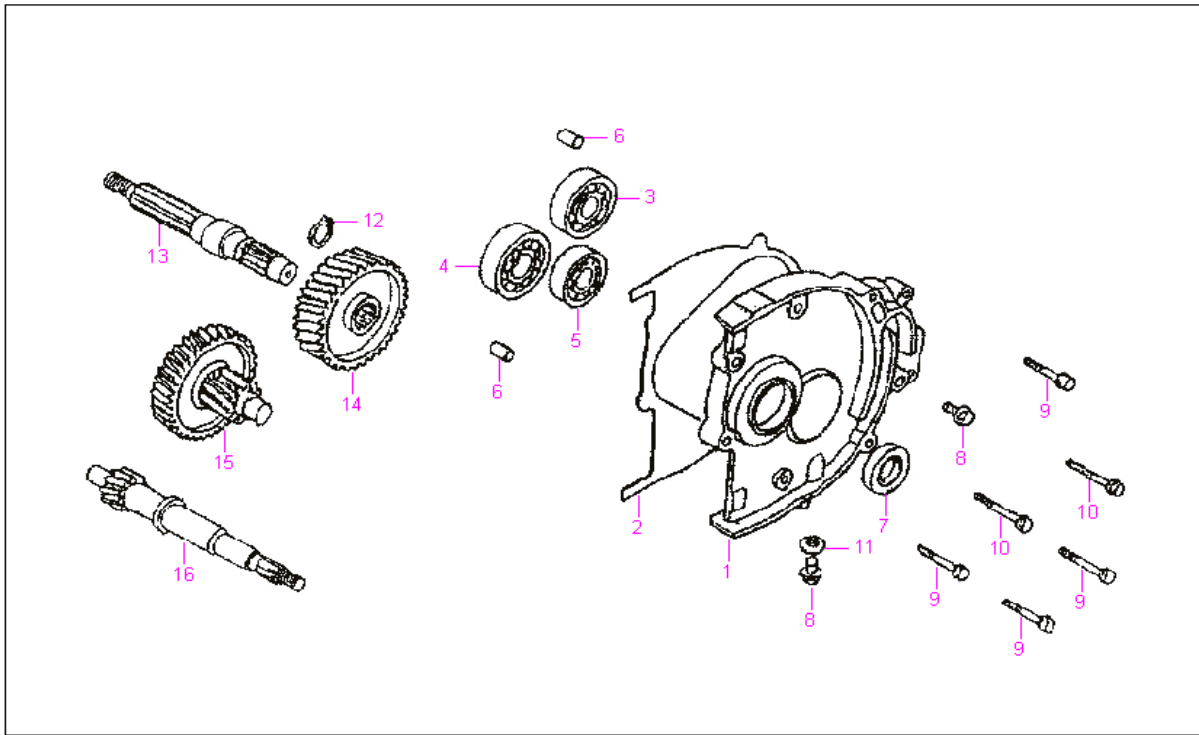
**F13** Driven Pulley Assy.

 从  
动  
皮  
带  
轮  
组


F13/1	114200-152QMI-0000	Pulley assy.,driven	1
F13/2	116320-152QMI-0000	Plate assy.,driver	1
F13/3	116410-152QMI-0000	Plate,driver	1
F13/4	116401-152QMI-0000	Rubber,clutch	3
F13/5	116402-152QMI-0000	Spring,clutch	3
F13/6	GB/T 896-1986	Circlip 5	3
F13/7	116403-152QMI-0000	Side plate,clutch	1
F13/8	116450-152QMI-0000	Weight set,clutch	1
F13/9	114300-152QMI-0000	Outer plat,clutch	1
F13/10	114204-152QMI-0000	Needle bearing 20*29*18	1
F13/11	GB/T 896-1986	Circlip 5	1
F13/12	GB/T 276-94	Bearing	1
F13/13	114210-152QMI-0000	Right comp.,driven	1
F13/14	114203-152QMI-0000	Seal 34*41*4	2
F13/15	116302-152QMI-0000	Guiding pin	1
F13/16	116303-152QMI-0000	Roller	1
F13/17	116440-152QMI-0000	Belt plate,driven	1
F13/18	GB3452.1	O-ring	2
F13/19	116404-152QMI-0000	Collar,seal	1
F13/20	114201-152QMI-0000	Spring,driver	1
F13/21	116406-152QMI-0000	Collar	1
F13/22	114205-152QMI-0000	Nut M28	1
F13/23	GB/T 97.1-1985	Washer 12	1
F13/24	GB/T 6177-1986	Nut M12	1
F13/25	116500-152QMI-0100	Belt ,driver	1

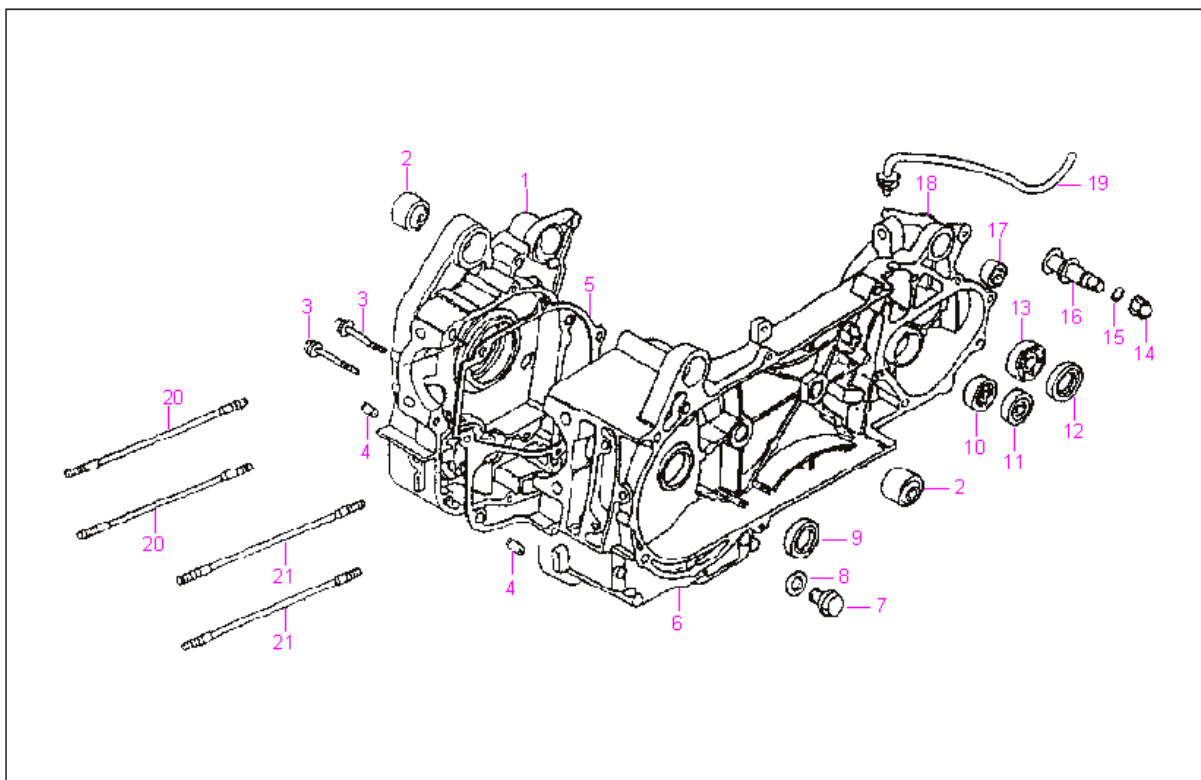
## F14 Transmission

传动系



F14/1	115100-152QMI-0000	Rear transmission case assy.	1
F14/2	115005-152QMI-0000	Gasket, rear transmission case	1
F14/3	GB/T 276-1994	Bearing 6203	1
F14/4	GB/T 276-1994	Bearing 6204	1
F14/5	GB/T 276-1994	Bearing 6202	1
F14/6	103002-152QMI-0000	Dowel pin	2
F14/7	GB13871	Oil seal 20*32*6	1
F14/8	GB/T 5787-1986	Bolt M8*12	2
F14/9	GB/T 5787-1986	Bolt M6*28	4
F14/10	GB/T 5787-1986	Bolt M6*35	2
F14/11	GB/T 97.1-1985	Washer 8	1
F14/12	GB896-1986	Circlip 5	1
F14/13	115002-152QMI-0000	Output shaft	1
F14/14	115003-152QMI-0000	Output gear	1
F14/15	115010-152QMI-0000	Middle gear	1
F14/16	115001-152QMI-0000	Input shaft	1

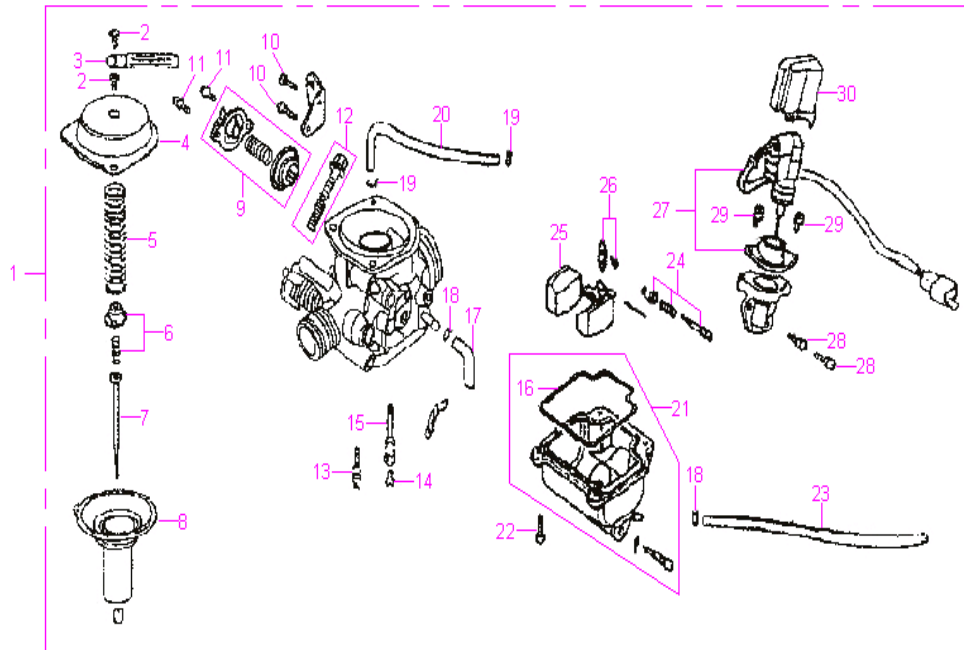
**F15** Crankcase

 曲  
轴  
箱


F15/1	105100-152QMI-0000	Right crankcase assy.	1
F15/1	105100-152QMI-0000	Right crankcase assy.	1
F15/2	104120-152QMI-0000	Bush	2
F15/3	GB/T 5787-1986	Bolt M6*50	2
F15/4	103002-152QMI-0000	Dowel pin	2
F15/5	104002-152QMI-0000	Gasket,crankcase	1
F15/6	104100-152QMI-0000	Left crankcase assy.	1
F15/7	104004-152QMI-0000	Drain plug	1
F15/8	GB/T 97.1-1985	Washer 12	1
F15/9	GB13871-19.8*30*5	Oil seal 19.8*30*5	1
F15/10	GB13871-27*42*7	Oil seal 27*42*7	1
F15/11	GB/T 276-94	Bearing 6301	1
F15/12	GB/T 276-94	Bearing 6002	1
F15/13	GB/T 276-94	Bearing 6004-2RS	1
F15/14	GB/T 6177-1986	Nut M8	1
F15/15	GB3452.1	O-ring	1
F15/16	107102-152QMI-0000	Amounting shaft	1
F15/17	104130-152QMI-0000	Bush	1
F15/18	107110-152QMI-0000	Dust seal	1
F15/19	104010-152QMI-0000	Breather tube assy.	1
F15/20	105001-152QMI-0000	2-stud bolt M8*187	2
F15/21	104001-152QMI-0000	2-stud bolt M8*195	2

## F16 Carburetor

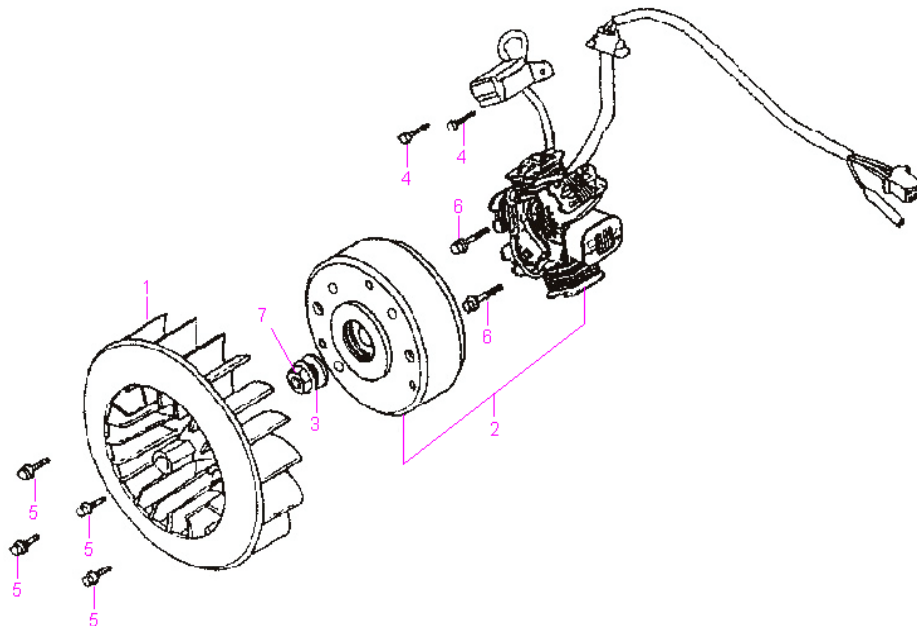
化油器



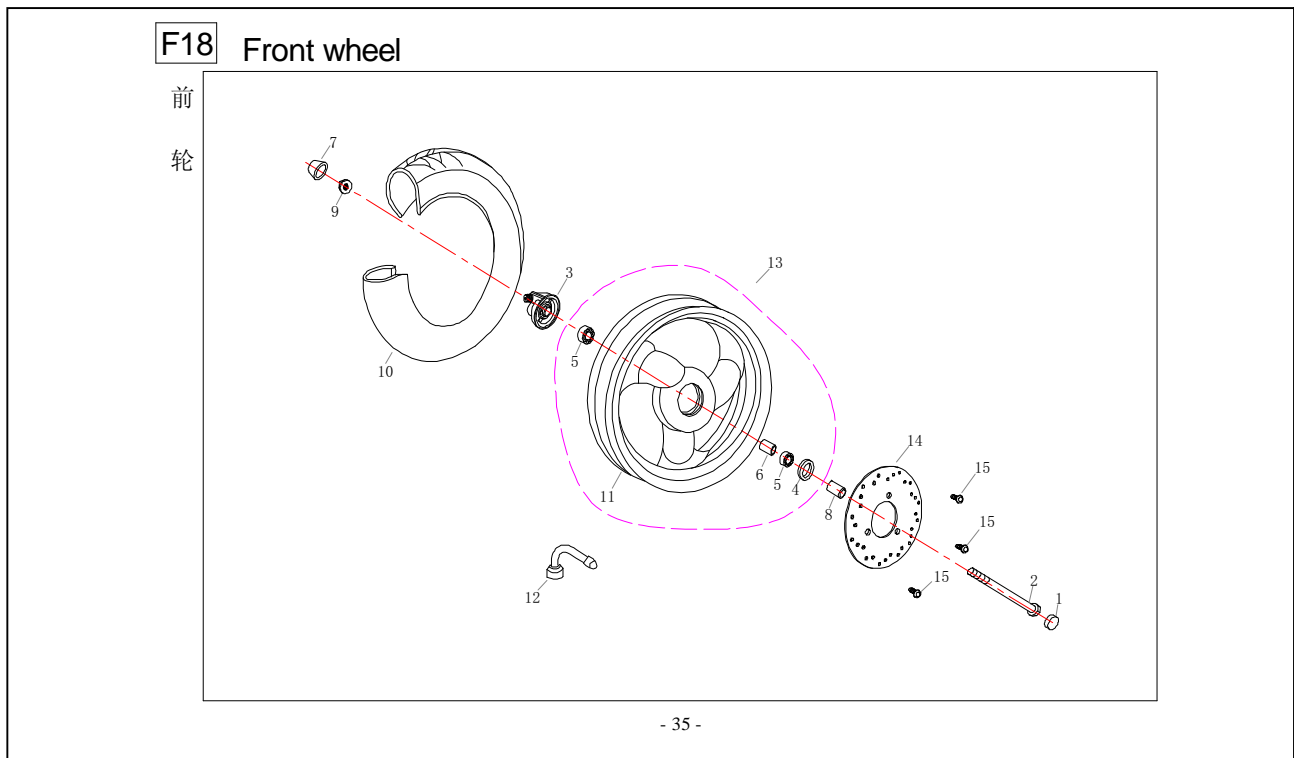
F16/1	160000-152QMI-0000	Carburetor assy.	1
F16/2	GB/T 818-1985	Screw M4*8	2
F16/3	160101-152QMI-0000	Plate clip	1
F16/4	160102-152QMI-0000	Cap,vacuum piston valve	1
F16/5	160103-152QMI-0000	Spring	1
F16/6	160104-152QMI-0000	Plate set	1
F16/7	160200-152QMI-0000	Oil needle	1
F16/8	160105-152QMI-0000	Vacuum piston valve	1
F16/9	160300-152QMI-0000	Air block valve	1
F16/10	GB/T 818-1985	Screw M5*12	2
F16/11	GB/T 818-1985	Screw M4*10	2
F16/12	160900-152QMI-0000	Screw set A	1
F16/13	160001-152QMI-0000	Injecting nozzle 35#	1
F16/14	160002-152QMI-0000	Main injecting nozzle 112#	1
F16/15	160003-152QMI-0000	Base,oil needle	1
F16/16	160400-152QMI-0000	Gasket	1
F16/17	160004-152QMI-0000	Air tube	1
F16/18	160005-152QMI-0000	Tube clip	2
F16/19	160006-152QMI-0000	Tube	2
F16/20	160007-152QMI-0000	Rubber tube 3.5*210	1
F16/21	160500-152QMI-0000	Float chamber	1
F16/22	GB/T 818-1985	Screw M4*14	1
F16/23	160008-152QMI-0000	Overflow tube	1
F16/24	160600-152QMI-0000	Screw set B	1
F16/25	160700-152QMI-0000	Float canister assy	1
F16/26	160009-152QMI-0000	Float canister valve	1
F16/27	160800-152QMI-0000	Starting valve set	1
F16/28	GB/T 818-1985	Screw M5*12	2
F16/29	GB/T 818-1985	Screw M4*8	2
F16/30	160801-152QMI-0000	Cap,starting valve	1

**F17** Magneto

磁电机



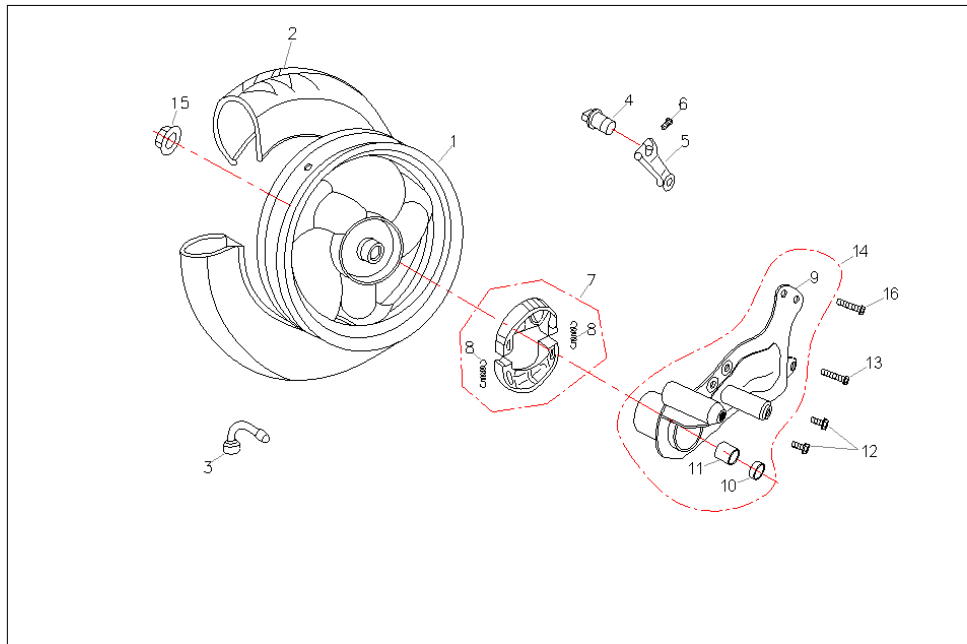
F17/1	119050-152QMI-0000	Cooling fan comp.	1
F17/2	111000-152QMI-0000	Generator assy.	1
F17/3	GB97.1-10	Washer	1
F17/4	GB/T5787-1985 M5*12	Bolt M5X12	2
F17/5	GB/T5787-1985 M6*16	Bolt M6*16	2
F17/6	GB/T5787-1985 M6*25	Bolt M6*25	4
F17/7	GB/T6187-1986 M10	Nut M12	1



F18/1	401005-TAC-0000	Left rubber cap	1
F18/2	401003-TAC-0000	Front wheel axle	1
F18/3	401200-TAC-0000	Speedometer gear assy	1
F18/4	YF50*40*5	Dust seal,front wheel	1
F18/5	GB/T278	Bearing 6201	2
F18/6	401101-TAC-0000	Central bush	1
F18/7	401006-TAC-0000	Right rubber cap	1
F18/8	401001-TAC-0000	Bush	1
F18/9	GB/T6187-1986	Nut M12*1.25	1
F18/10	GB2983-1997	Tyre 120/70-12	1
F18/11	401110-TAC-0000	Front rim MT3.5*J12	1
F18/12	401120-TAC-0000	Valve	1
F18/13	401100-TAC-0000	Front rim assy.	1
F18/14	404001-TAC-0000	Brake disc	1
F18/15	404002-TAC-0000	Bolt	3

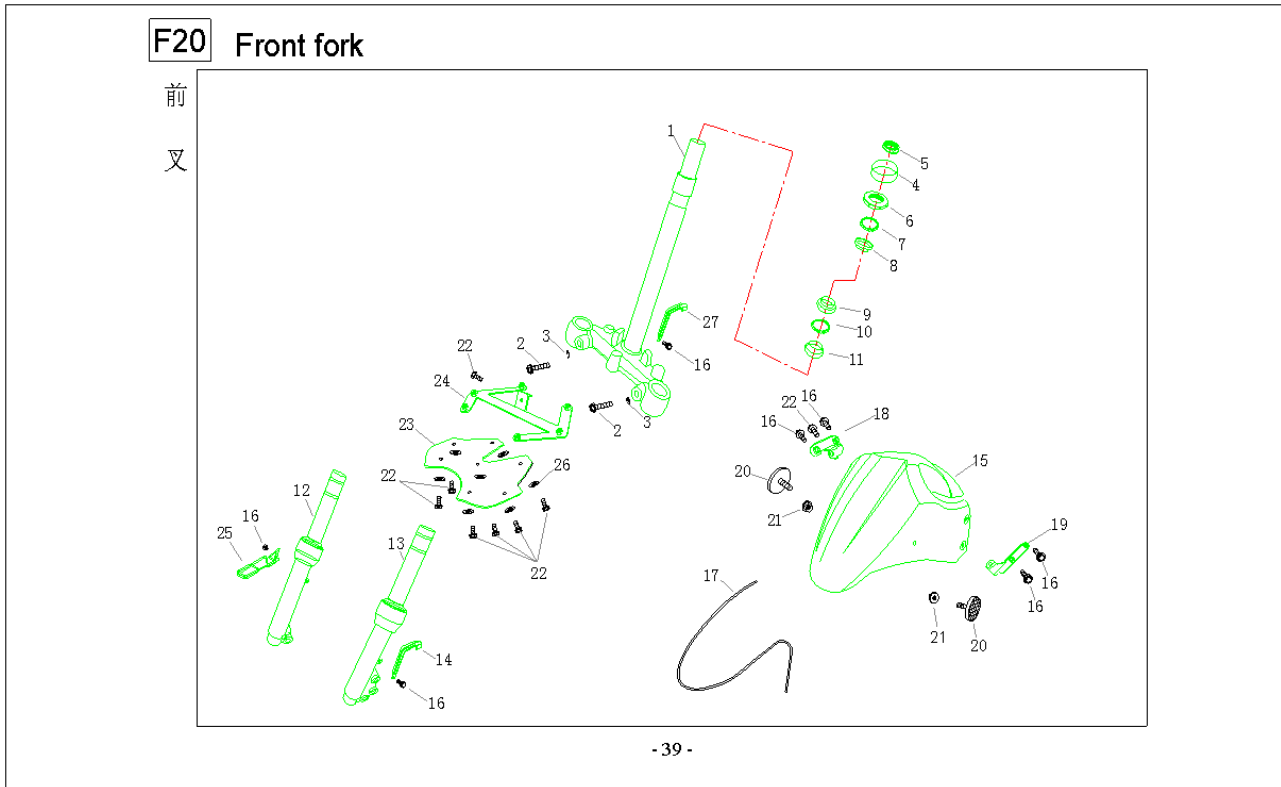
## F19 Rear wheel

后轮



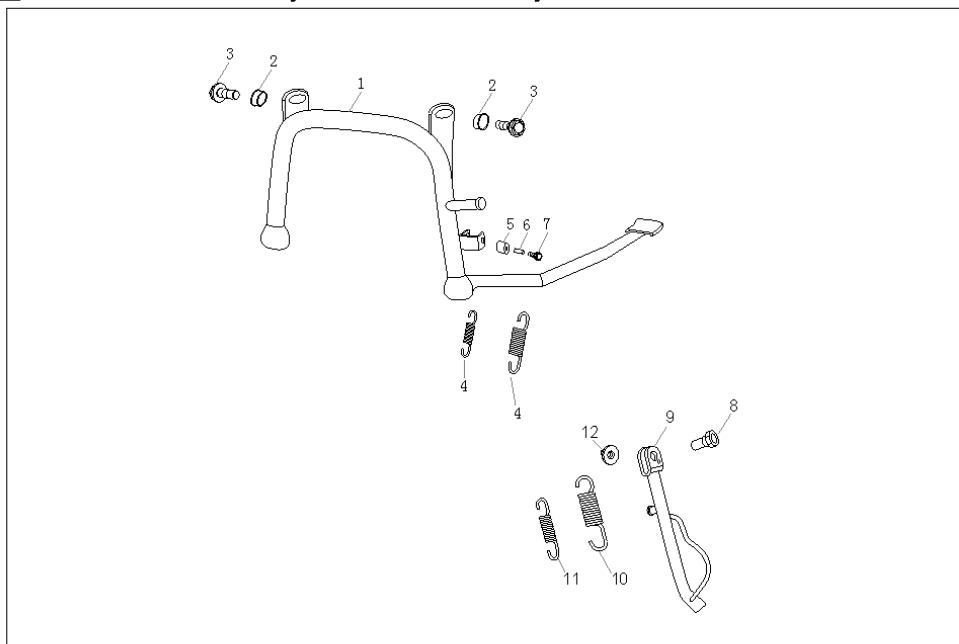
- 37 -

F19/1	402110-TJDC-0000	Rear rim MT3.5*J12	1
F19/2	GB/T2983-1997	Tyre 130/70-12	1
F19/3	402120-TA9-0000	Valve	1
F19/4	405001-TJ9-0000	Rear brake cam	1
F19/5	405010-TJ9-0000	Rear brake lever assy.	1
F19/6	GB/T5789-1986	Bolt M6*35	1
F19/7	405100-TJ9-0000	Brake shoe assy.	1
F19/8	405101-TJ9-0000	Rear brake redat spring	2
F19/9	402201-TJDC-0000	Rear ring board	1
F19/10	402202-TJDC-0000	Bush	1
F19/11	402203-TJDC-0000	Bush	1
F19/12	GB/T5787-1986	Hexagon Flange bolts M8*1.25*20	2
F19/13	GB/T5789-1986	Hexagon Flange bolts M8*55	1
F19/14	402200-TJDC-0000	Rear ring board assy	1
F19/15	GB/T6187-1986	Nut M16*1.5	1
F19/16	GBT5789-1986	Hexagon Flange bolts M8*40	1



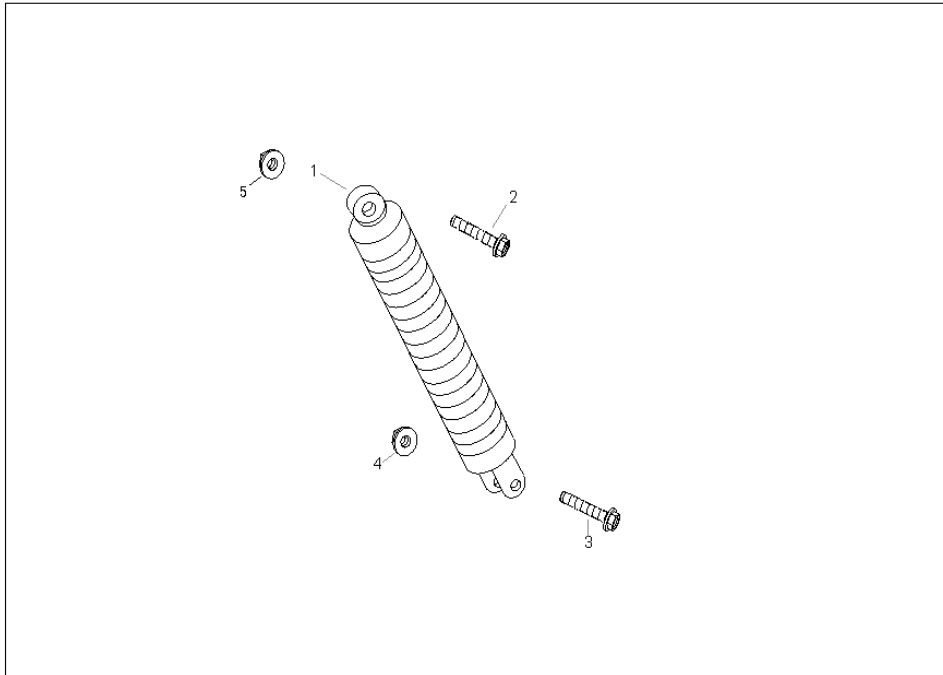
F20/1	504100-TAC-0000	Steering column welding assy.	1
F20/2	GB/T 5787-1986	Bolt M10*1.25*35	2
F20/3	GB/T 7244-1987	Washer,Fr.absorber spring	2
F20/4	50450A-TAC-0000	Dust seal	1
F20/5	504501-TAC-0000	Lock nut	1
F20/6	504502-TAC-0000	Upper bearing top	1
F20/7	504510-TAC-0000	Fr.ball steel assy	1
F20/8	504503-TAC-0000	Upper bearing cup	1
F20/9	504504-TAC-0000	Bottom bearing cup	1
F20/10	504520-TAC-0000	Bottom ball steel assy	1
F20/11	504505-TAC-0000	Bottom bearing top	1
F20/12	504400-TAC-0000	Front shock absorber.right	1
F20/13	504300-TAC-0000	Front shock absorber.left	1
F20/14	504030-TAC-0000	Clip	1
F20/15	604100-TACC-0000	Front fender	1
F20/16	GB/T 5789-1986	Bolt M6*12	7
F20/17	604103-TACC-0000	Rubber strip,front fender	1
F20/18	501830-TAC-0000	Bracket welding assy,front fender	1
F20/19	501820-TAC-0000	Bracket,front fender rear part	1
F20/20	325100-TA9-0000	Reflector	2
F20/21	GB/T6177-1985	Nut M6	2
F20/22	GB/T 5789-1986	Bolt M6*16	10
F20/23	604108-TACC-0000	Front fender rubber	1
F20/24	604109-TACC-0000	Bracket,Front fender rubber	1
F20/25	504020-TAC-0000	Clip of odometer tube	1
F20/26	504010-TAC-0000	Clip	1

**F21** Center Stand Assy./Side Stand Assy.

 主  
支  
架  
/  
侧  
支  
架


- 43 -

F21/1	501210-TJDC-0000	Center stand assy.	1
F21/2	501208-TJDC-0000	Bush,center stand	2
F21/3	GB/T 5789-1986	Bolt M10*1.25*25	2
F21/4	501204-TA2-0000	Spring,center stand	2
F21/5	501202-TJDC-0000	Rubber,center stand	1
F21/6	501209-TJDC-0000	Bush	1
F21/7	GB/T 5789-1986	Bolt M6*30	1
F21/8	501301-TAC-0000	Bolt $\Phi 10 \times 13 \times M8 \times 12$	1
F21/9	501310-TACC-0000	Side stand assy.	1
F21/10	501302-TAC-0000	Spring A,side stand	1
F21/11	501303-TAC-0000	Spring B,side stand	1
F21/12	GB/T 6172-1986	Nut M8	1

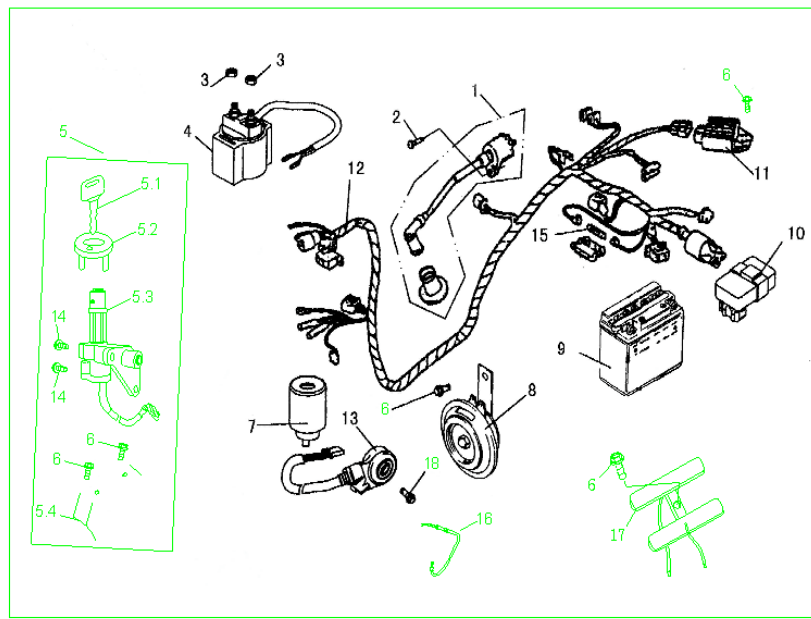
**F22** Rear shock absorber
后  
减  
震  
器

- 45 -

F22/1	521000-TJDC-0000	Rear shock absorber	2
F22/2	GB/T 5787-1986	Bolt M10*1.25*40	1
F22/3	GB/T 5789-1986	Bolt M8*40	1
F22/4	GB/T 6177-1986	Nut M8	1
F22/5	GB/T 6187-1986	Nut M10*1.25	1

**F23** Wire Harness

主  
电  
缆

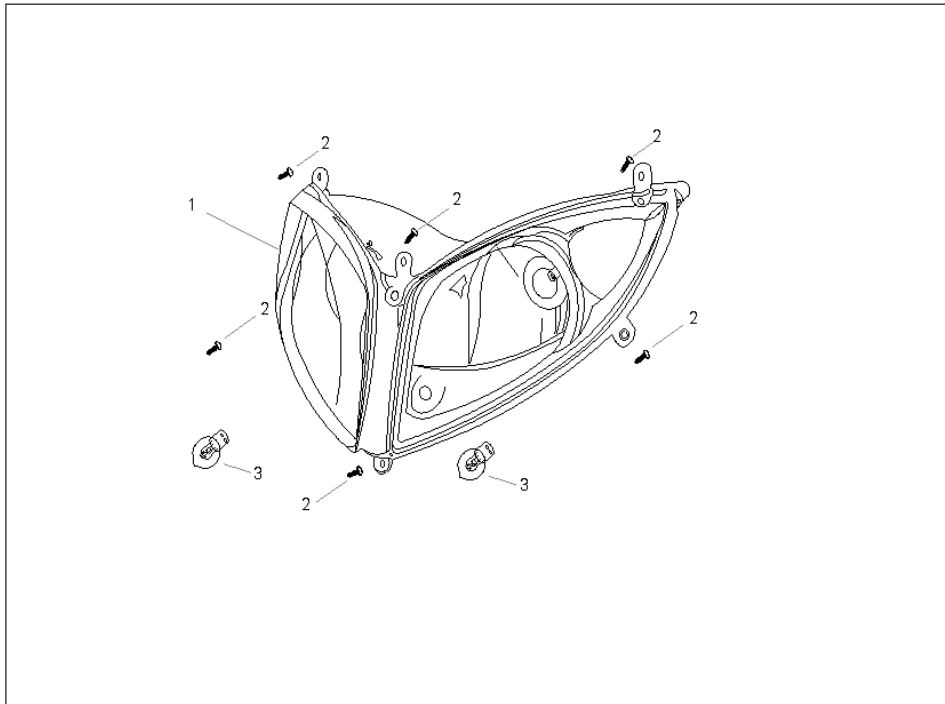


- 47 -

F23/1	301200-TJ9-0000	Lgnition coil	1
F23/2	GB/T 818-1985	Screw M6*20	1
F23/3	GB/T 6177-1986	Nut M6	2
F23/4	301400-TA9-0000	Front fork	1
F23/5	350000-TAC-0000	Lock assy.	1
F23/6	GB/T 5789-1986	Bolt M6*12	5
F23/7	308500-TA9-0000	Flasher	1
F23/8	302000-TA9-0000	Horn	1
F23/9	305000-TJ9-0000	Battery	1
F23/10	301100-TJ9-0000	Electric ignition assy.	1
F23/11	301300-TJ9-0000	Rectifier adjuster	1
F23/12	304100-TJDC-0000	Wiring assy.	1
F23/13	330600-TA9-0000	Off switch assy.	1
F23/14	GB/T 5789-1986	Bolt M6*16	2
F23/15	304110-TJDC-0000	Fuse	1
F23/5.1	350120-TJDC-0000	Key	1
F23/5.2	350101-TAC-0000	Lgnition switch lock cover	1
F23/5.3	350110-TAC-0000	Lgnition switch lock	1
F23/5.4	350420-TACC-0000	Seat lock	1
F23/16	540900-TACC-0000	Cable,seat lock	1
F23/17	361600-TJDC-0000	Resistance	1
F23/18	330601-TJDC-0000	Bolt M6*16	1

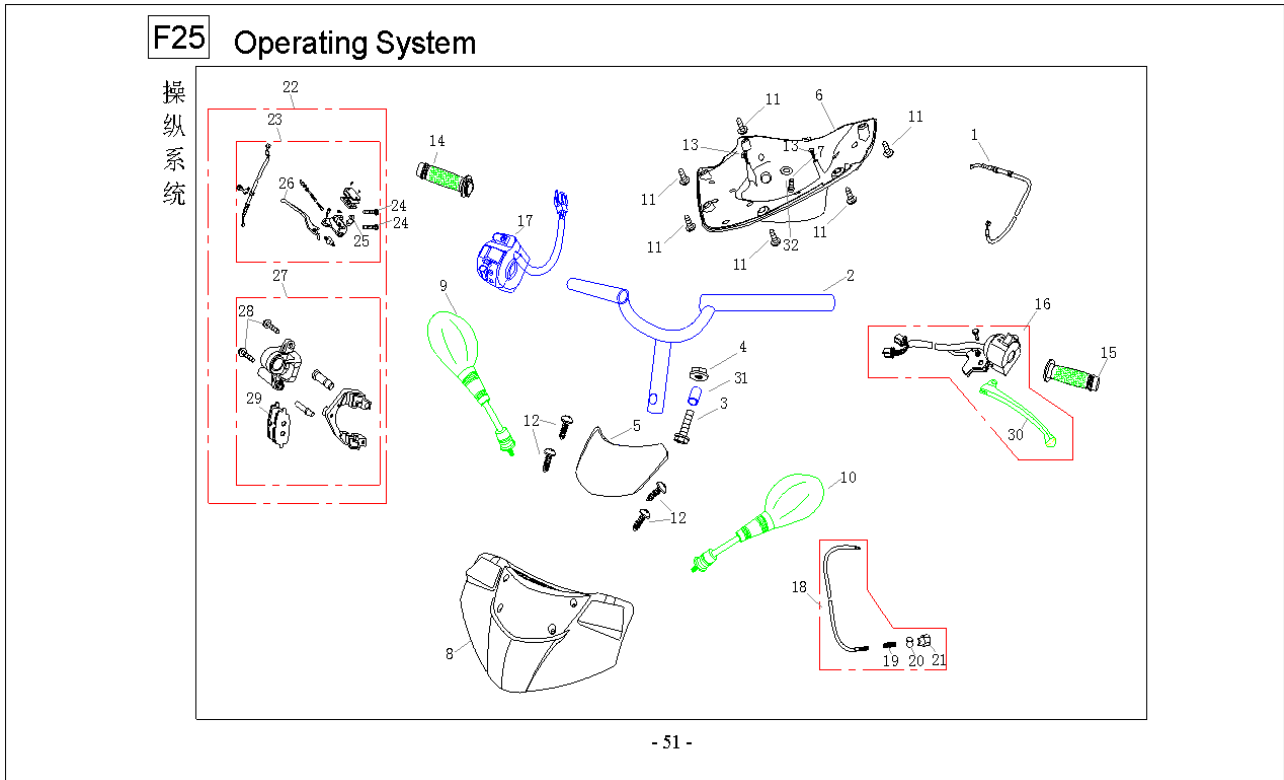
**F24** Head Light Assy.

前  
大  
灯



- 49 -

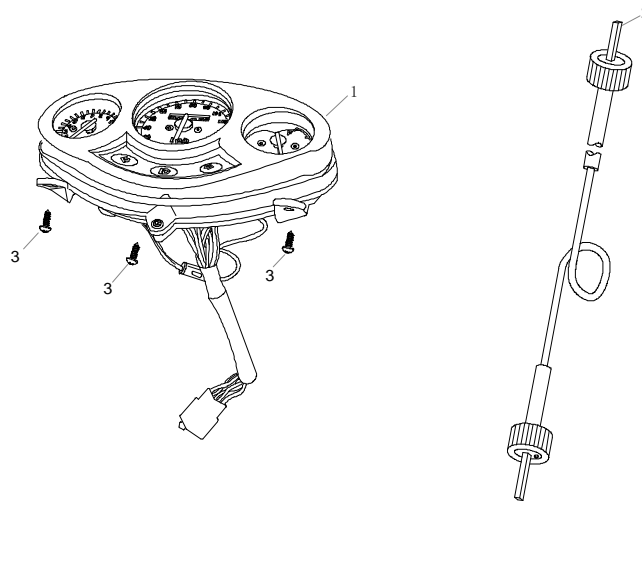
F24/1	320000-TACC-0000	Head light assy.	1
F24/2	GB/T845-1985	Screw tapping ST4.2*12	6
F24/3	320110-TACC-0000	Head light bulb	1



F25/1	540400-TJDC-0000	Throttle link assy	1
F25/2	505100-TACC-0000	Direction handle	1
F25/3	GB/T 5787-1986	Bolt M10*1.25*50	1
F25/4	GB/T 6187-1986	Nut M10*1.25	1
F25/5	606200-TACC-0000	Windshield	1
F25/6	601102-TACC-0000	Rear part,head cover	1
F25/7	GB/T 818-1985	Bolt M5*25	1
F25/8	601101-TACC-0000	Front part,head cover	1
F25/9	610200-TAC-0000	R.mirror comp back assy	1
F25/10	610100-TAC-0000	L.mirror comp back assy	1
F25/11	GB/T 845-1985	Screw tapping ST4.2*12	6
F25/12	GB/T 845-1985	Screw tapping ST3.9*10	4
F25/13	GB/T 845-1985	Screw tapping ST4.2*16	2
F25/14	530400-TAC-0000	Greaser assy	1
F25/15	530300-TAC-0000	Left grip assy	1
F25/16	330100-TAC-0000	L.handle switch assy.	1
F25/17	330200-TJ2-0000	R.handle switch assy.	1
F25/18	540200-TJDC-0000	Rear brake link assy	1
F25/19	540201-TJDC-0000	Spring	1
F25/20	540202-TJDC-0000	Joint brake arm	1
F25/21	540203-TJDC-0000	Nut adgust	1
F25/22	404000-TAC-0000	Disk brake assy(fr.)	1
F25/23	404100-TAC-0000	Master cylinder assy	1
F25/24	GB/T 5789-1986	Bolt M6*22	2
F25/25	404101-TAC-0000	Master cylinder stator	1
F25/26	530201-TAC-0000	Front brake handle	1
F25/27	404200-TAC-0000	Caliper assy(fr.)	1
F25/28	GB/T 5789-1986	Bolt M8*30	2
F25/29	404210-TAC-0000	Brake shoe assy(fr.)	1
F25/30	530101-TAC-0000	Left handle	1
F25/31	505001-TAC-0000	Bush	1
F25/32	GB848	Washer 5	1

F26 Meter

仪  
表

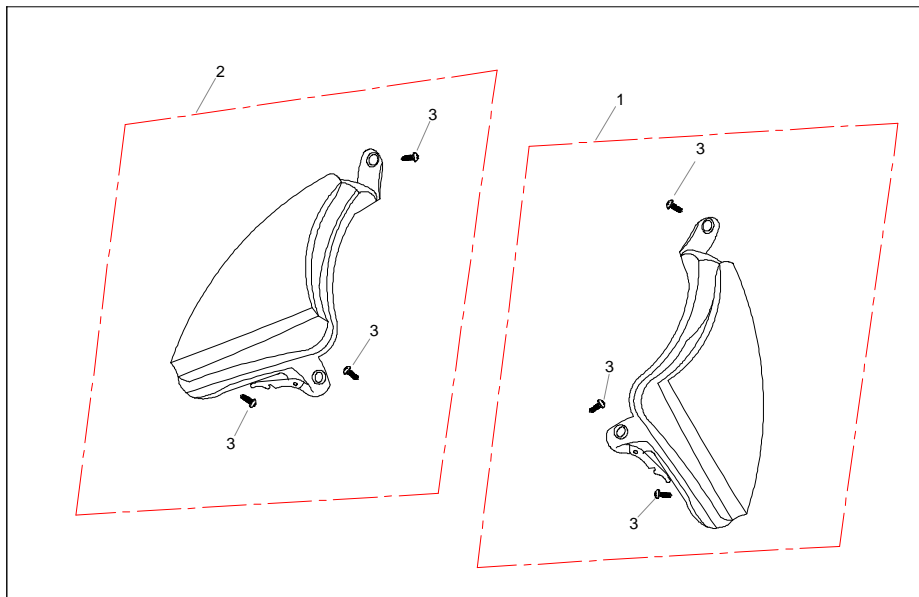


- 55 -

F26/1	340000-TJDC-0000	Meter assy.	1
F26/2	541100-TAC-0000	Odometer cable	1
F26/3	GB/T 845-1985	Screw tapping ST4.2*12	3

F27 Front winker

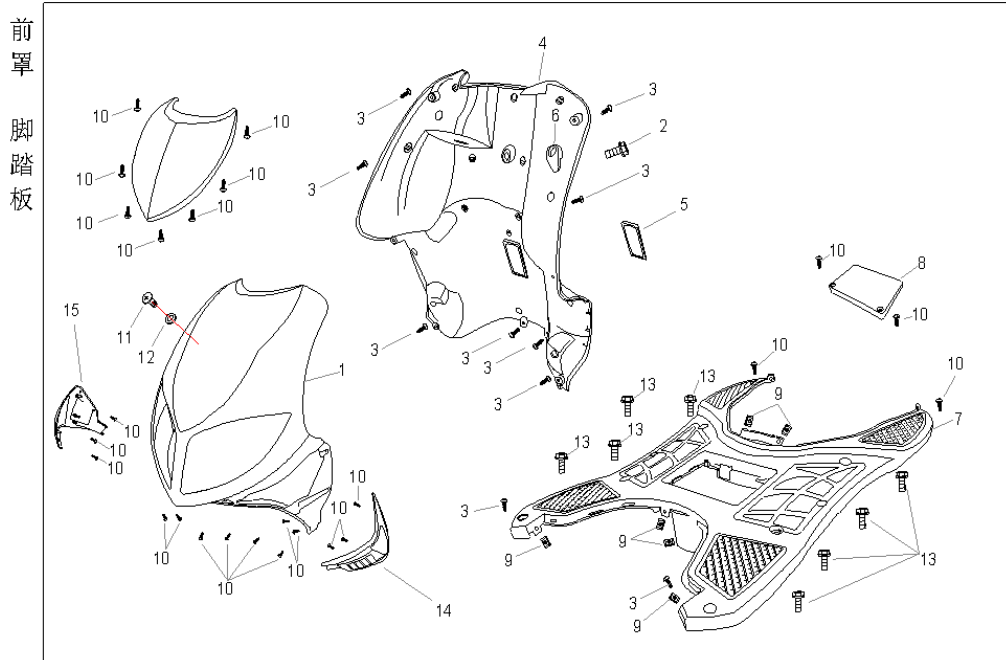
前  
转  
向  
灯



- 57 -

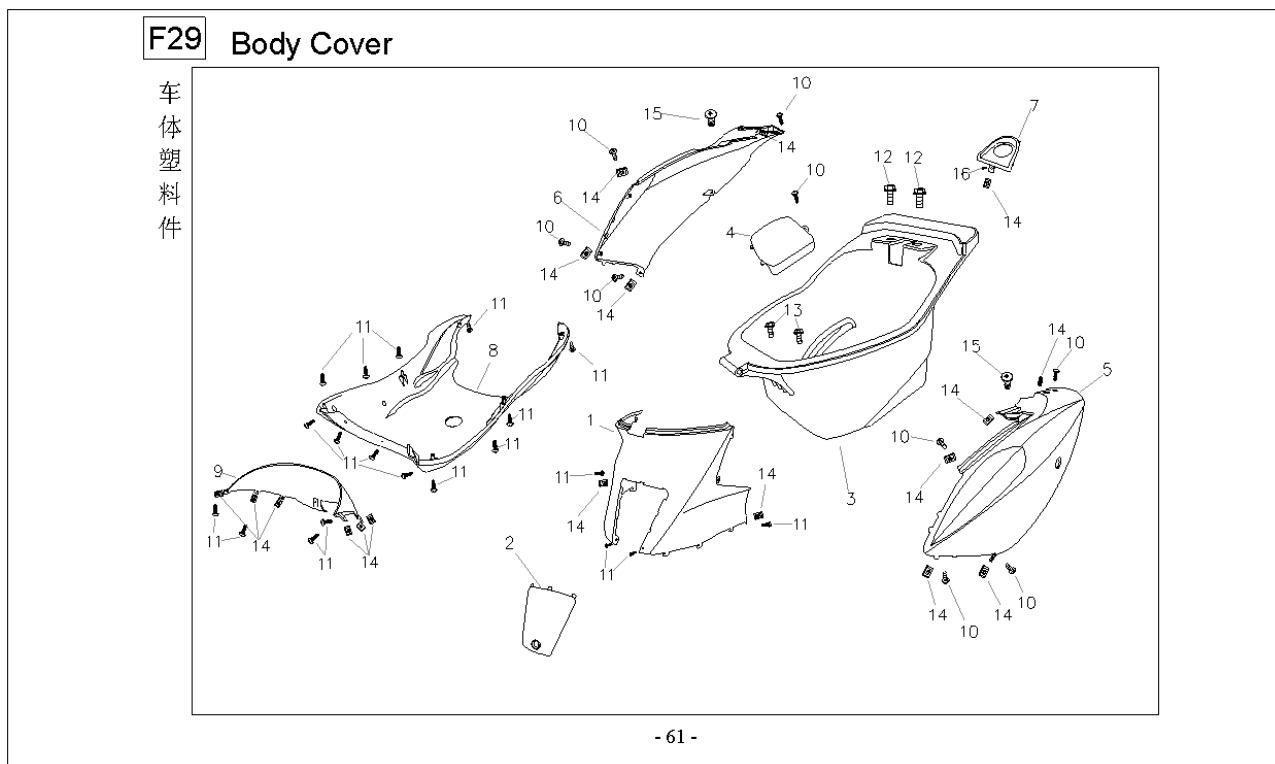
F27/1	322100-TACC-0000	Front winker assy(L.)	1
F27/2	322200-TACC-0000	Front winker assy(R.)	1
F27/3	GB/T 845-1985	Screw tapping ST4.2*12	6

**F28** Front cover/Floor pedal



- 59 -

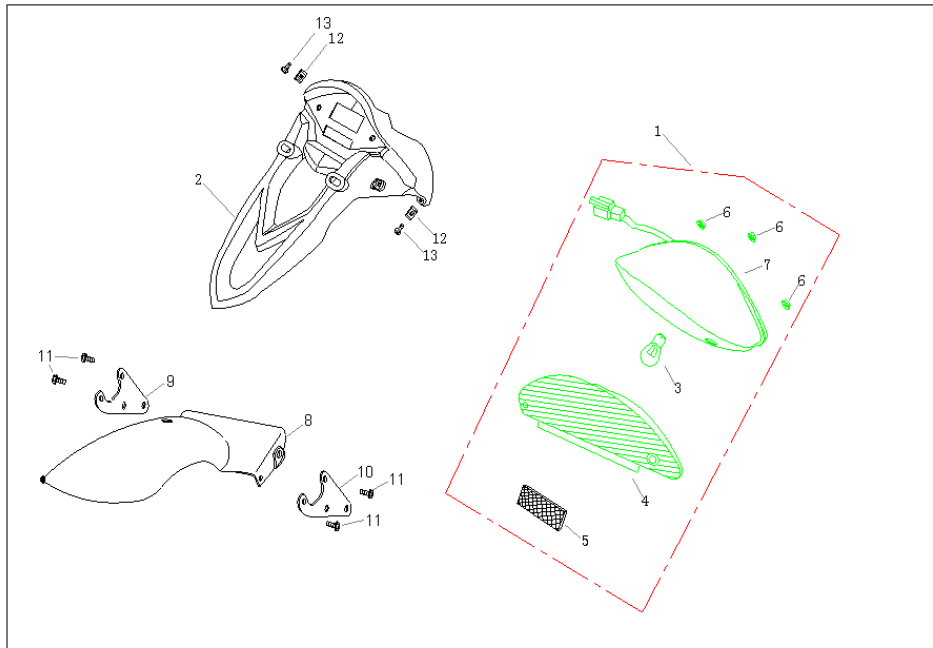
F28/1	601103-TACC-0000	Front cover	1
F28/2	GB/T 5789-1986	Bolt M6*30	1
F28/3	GB/T 845-1985	Screw tapping ST4.2*16	10
F28/4	601301-TACC-0000	Fr.luggage box assy	1
F28/5	601303-TACC-0000	Fork number board	1
F28/6	601504-TACC-0000	Hook, helmet	1
F28/7	601401-TACC-0000	Pedal	1
F28/8	601403-TACC-0000	Battery box cover	1
F28/9	821042-TJDC-0000	Clip ST4.2	6
F28/10	GB/T 845-1985	Screw tapping ST4.2*12	23
F28/11	601104-TJDC-0000	Bolt M6*16	1
F28/12	601108-TAC-0000	Rubber	1
F28/13	GB/T 5789-1986	Bolt M6*16	8
F28/14	508016-TACC-0000	Deck bar, front cover L	1
F28/15	508017-TACC-0000	Deck bar, front cover R	1



F29/1	601503-TACC-0000	Center cover	1
F29/2	601506-TACC-0000	Small cover,center cover	1
F29/3	601501-TACC-0000	Luggage box	1
F29/4	601502-TACC-0000	Inner cover,luggage box	1
F29/5	601201-TACC-0000	Left side cover	1
F29/6	601202-TACC-0000	Right side cover	1
F29/7	601203-TACC-0000	Center cover,rear	1
F29/8	601405-TACC-0000	Bottom Cover	1
F29/9	601407-TACC-0000	Fender comp,Frame body	1
F29/10	GB/T 845-1985	Screw tapping ST4.2*12	9
F29/11	GB/T 845-1985	Screw tapping ST4.2*16	20
F29/12	601509-TACC-0000	Ladder bolt $\Phi 8 \times 3 + M6 \times 13 \times 1.25$	2
F29/13	GB/T 5789-1986	Bolt M6*12	2
F29/14	821042-TACC-0000	Clip ST4.2	18
F29/15	330601-TACC-0000	Bolt M6*16	2
F29/16	GB/T 845-1985	Screw tapping ST4.8*12	1

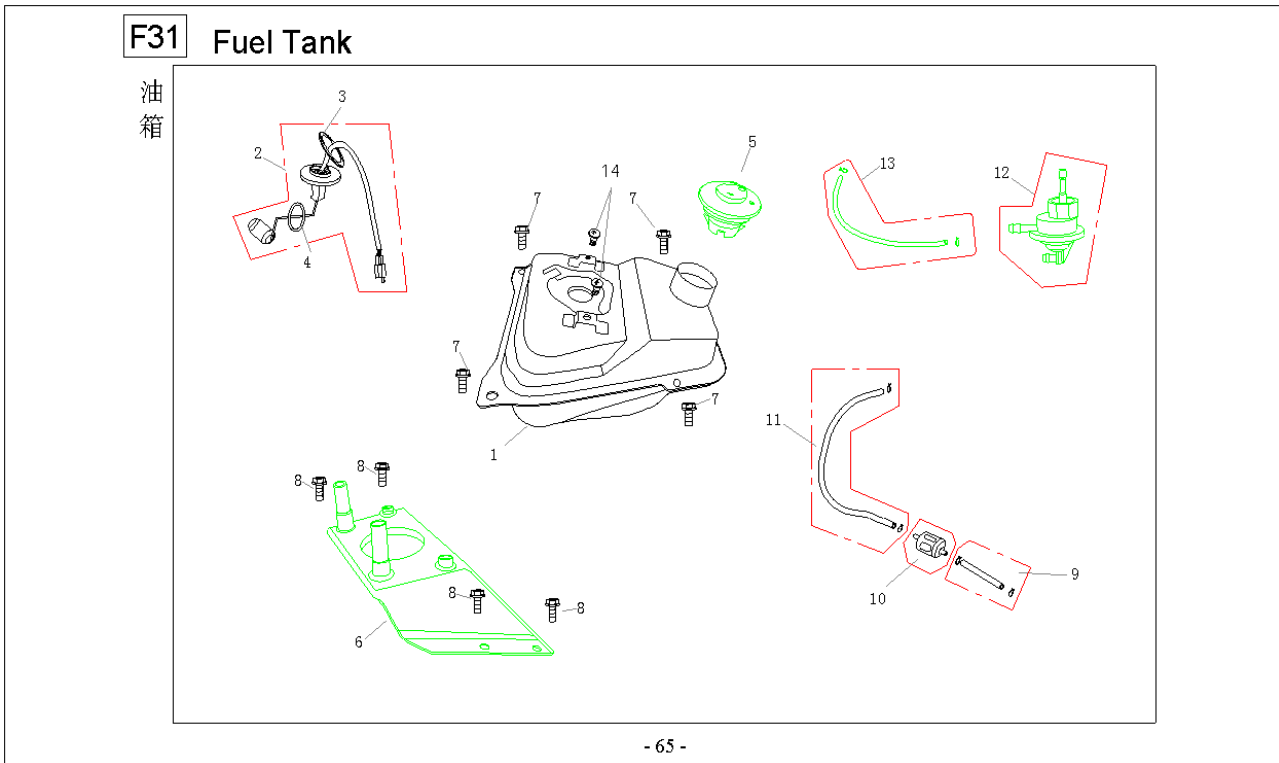
**F30** Rear light assy./Rear fender assy.

尾灯  
后挡泥板



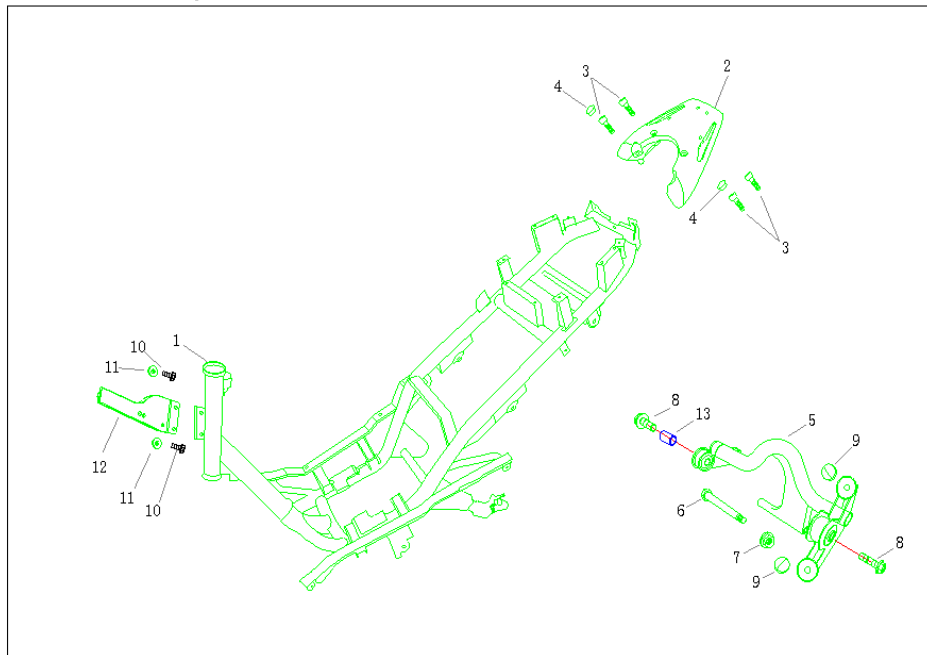
- 63 -

F30/1	321100-TAC-0000	Rear light	1
F30/2	604211-TACC-0000	Rear fender	1
F30/3	321110-TAC-0000	Bulb, rear light	1
F30/4	321131-TAC-0000	Cover, rear light	1
F30/5	325200-TAC-0000	Reflector	1
F30/6	GB/T 6177-1986	Nut M6	5
F30/7	321120-TAC-0000	Base, rear light	1
F30/8	604201-TJ7-0000	Small fender	1
F30/9	501901-TJ7-0000	Bracket, small fender L	1
F30/10	501902-TJ7-0000	Bracket, small fender R	1
F30/11	GB/T 5789-1986	Bolt M6*12	4
F30/12	821042-TACC-0000	Clip ST4.2	2
F30/13	GB/T 6177-1986	Screw tapping ST4.2*16	2



F31/1	515010-TACC-0000	Tank welding assy	1
F31/2	515200-TACC-0000	Fuel transmlter	1
F31/3	515202-TACC-0000	Tramsmmitter pressable cover	1
F31/4	515201-TACC-0000	Rubber	1
F31/5	350300-TAC-0000	Fuel cover assy	1
F31/6	50100A-TAC-0000	Assembling board welding assy	1
F31/7	GB/T 5789-1986	Bolt M6*12	4
F31/8	GB/T 5789-1986	Bolt M8*12	4
F31/9	515130-TAC-0000	Tube A	1
F31/10	515120-TAC-0000	Fuel filter	1
F31/11	515140-TACC-0000	Tube B	1
F31/12	515110-TA9-0000	Fuel switch assy.	1
F31/13	515150-TAC-0000	Tube,negative pressure	1

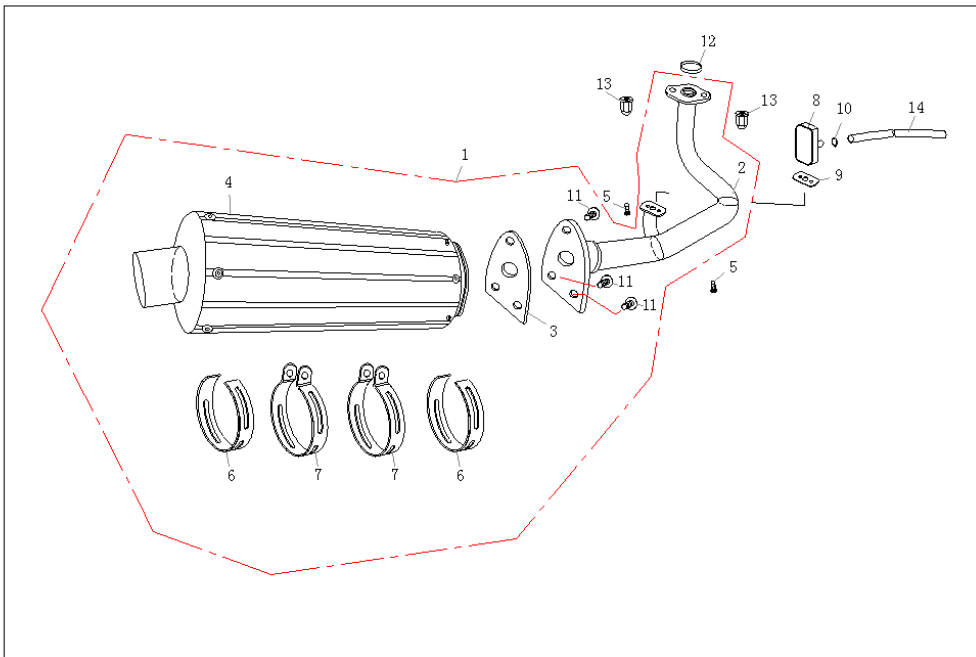
**F32** Frame Body

 车  
架


- 67 -

F32/1	501100-TJDC-0000	Frame welding assy	1
F32/2	506300-TACC-0000	Bracket,carrier	1
F32/3	GB/T 70-1985	Bolt M8*45	4
F32/4	506301-TACC-0000	Cap,carrier	2
F32/5	501710-TJDC-0000	Hanging rack welding assy	1
F32/6	501703-TJDC-0000	Axis	1
F32/7	GB/T 6177-1986	Nut M10*1.25	1
F32/8	GB/T5787-1986	Bolt M10*1.25*60	2
F32/9	501701-TJDC-0000	Rubber	2
F32/10	GB/T 5789-1986	Bolt M6*45	2
F32/11	GB/T 6177-1986	Nut M6	2
F32/12	5010A0-TACC-0000	Front cover bracket	1
F32/13	501705-TJDC-0000	Hanging rack welding Right Bush	1

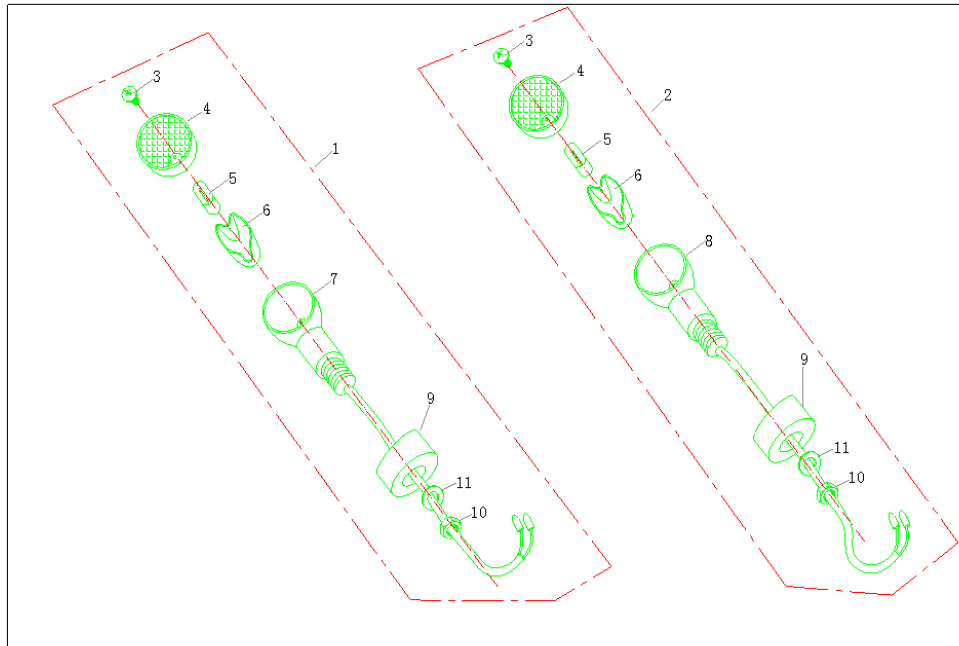
**F33 Muffler Welding Assy.**

 排气  
消声器


- 69 -

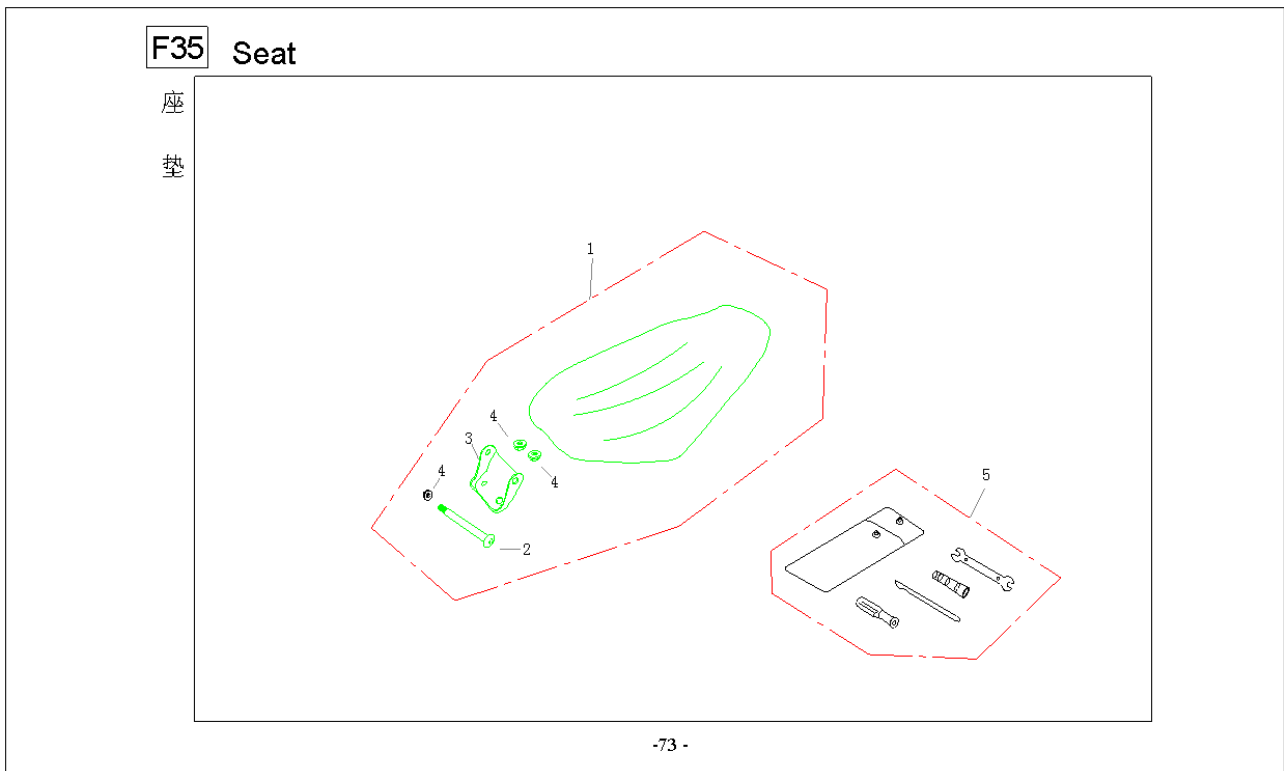
F33/1	182100-TJDC-0000	Muffler welding assy	1
F33/2	182110-TJDC-0000	Muffler welding assy,front body	1
F33/3	182140-TJDC-0000	Paper gasket	1
F33/4	182120-TJDC-0000	Muffler welding ,rear body	1
F33/5	GB/T 818-1985	Screw M6*12	2
F33/6	182102-TJDC-0000	Fixing rubber	2
F33/7	182101-TJDC-0000	Fixing clip	2
F33/8	182210-TA9-0000	Control valve	1
F33/9	182220-TJDC-0000	Gasket	1
F33/10	182202-TJDC-0000	Clip tube	1
F33/11	GB/T 70-1985	Screw M8*30	3
F33/12	182010-TJDC-0000	Muffler welding gasket	1
F33/13	182001-TJDC-0000	Nut M6*22	2
F33/14	182201-TJDC-0000	Tube	1

## F34 Rear winker

后  
转  
向  
灯

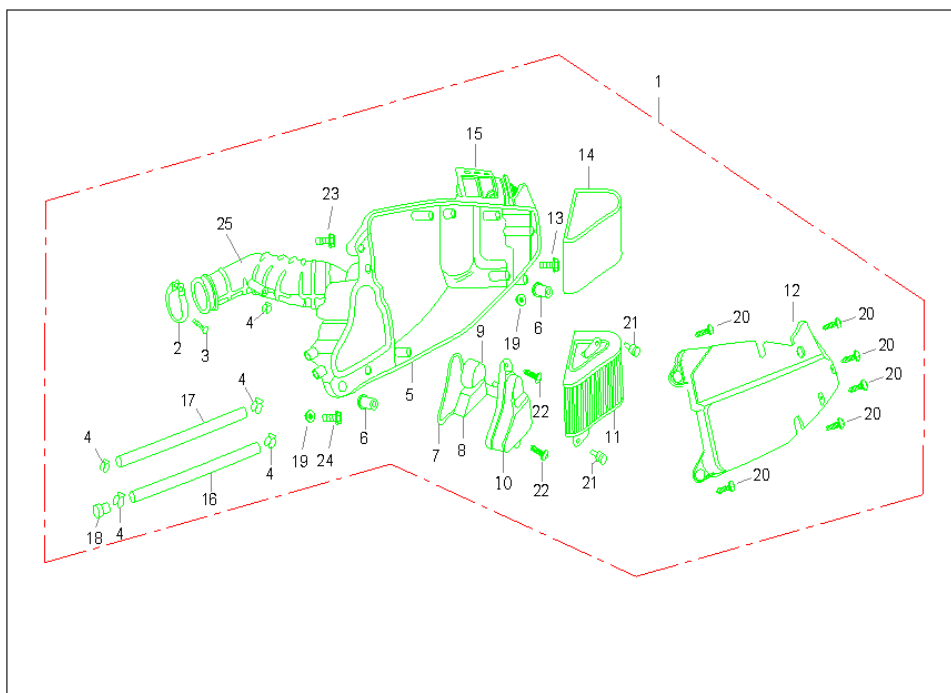
- 71 -

F34/1	323100-TAC-0000	Rear direction lamp. L	1
F34/2	323200-TAC-0000	Rear direction lamp. R	1
F34/3	GB/T 5282-1985	Screw tapping ST3.9*16	2
F34/4	323131-TAC-0000	L Lens, rear winker	2
F34/5	322110-TAC-0000	Winker bulb	2
F34/6	323120-TAC-0000	Fixing socket, rear winker	2
F34/7	323140-TAC-0000	L Rear winker shell	1
F34/8	323240-TAC-0000	R Rear winker shell	1
F34/9	323001-TAC-0000	Rubber	1
F34/10	GBT41-1986	Nut M10	2
F34/11	GB96.1-02	Spring washer 10	2



F35/1	701000-TACC-0000	Seat assy	1
F35/2	701001-TACC-0000	Shaft	1
F35/3	701002-TACC-0000	Connecting board	1
F35/4	GB/T 6177-1986	Nut M6	3
F35/5	801000-TJ9-0000	Tool set	1

## F36 Air Cleaner

空  
濾  
器

- 75 -

F36/1	172000-TJDC-0000	Case assy. Air cleaner	1
F36/2	172140-TJDC-0000	Band connecting.tube	1
F36/3	GB/T 818-1985	Screw pan M4*25	1
F36/4	QC/T 621-19999	Clamp tube(D10.5)	5
F36/5	172111-TJDC-0000	Case air cleaner	1
F36/6	172104-TJDC-0000	Collar air cleaner setting	2
F36/7	172401-TJDC-0000	Seal oil catch	1
F36/8	172402-TJDC-0000	Filter oil catch	1
F36/9	172403-TJDC-0000	Filter breather	1
F36/10	172404-TJDC-0000	Cover assy. Oil catch	1
F36/11	172120-TJDC-0000	Element comp. Air cleaner	1
F36/12	172112-TJDC-0000	Cover air cleaner	1
F36/13	GB/T 5789-1986	Blot M6*45	1
F36/14	172121-TJDC-0000	Sponge,element comp	1
F36/15	172201-TJDC-0000	Duct air cleaner case	1
F36/16	172405-TJDC-0000	Tube vinyl 8*12*240	1
F36/17	172001-TJDC-0000	Tube	1
F36/18	172406-TJDC-0000	Plug breather tube	1
F36/19	GB/T6177-1986	Nut M6	2
F36/20	GB/T845-1985	Self-tapping screw ST4.8*20	7
F36/21	GB9074.14	Screw-washer M5*10	2
F36/22	GB/T845-1985	Self-tapping screw ST4.2*13	2
F36/23	GB/T8789-1986	Bolt M6*12	1
F36/24	GB/T5789-1986	Bolt M6*16	1
F36/25	172130-TJDC-0000	Air cleaner,link tube	1





