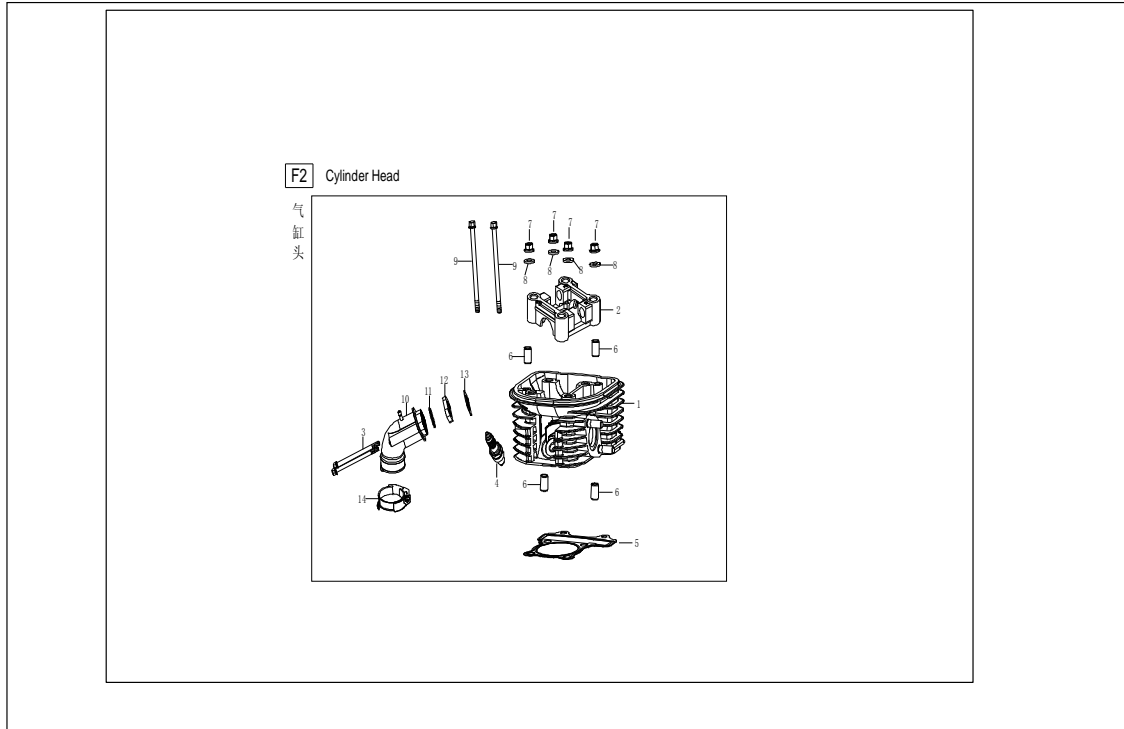


F2

Cylinder head

气
缸
头

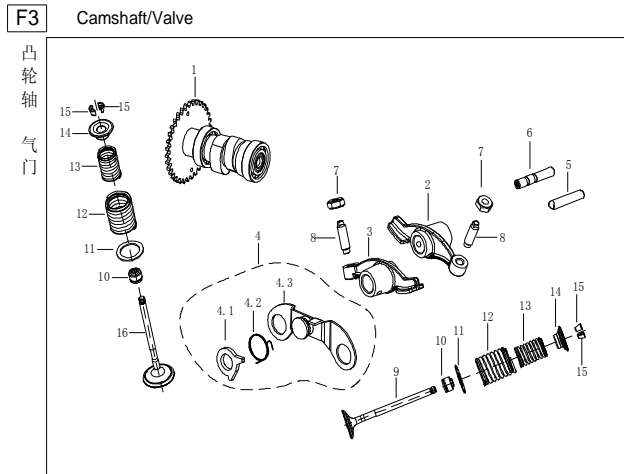


序号	零 组 件 图 号	英 文 名 称	数 量	F2
PAGE NO.	Component and Part NO.	English Name	Quantity	
F2/1	101210-152QMI-2-0000	Cylinder head assy.	1	
F2/2	101430-152QMI-B-0000	Camshaft fixing base assy.	1	
F2/3	GB5787-M6X85	Bolt M6x85	2	
F2/4	101201-139QMA-0000	Spark plug	1	
F2/5	101205-152QMI-2-0000	Cylinder head washer	1	
F2/6	101204-152QMI-0000	Dowel pin	4	
F2/7	101203-152QMI-0000	Cylinder head nut M8	4	
F2/8	GB/T97.1-8.4X18X2	Gasket	4	
F2/9	GB5787-M6X100	Bolt M6x100	2	
F2/10	101302-1P57QMJ-0000	Carburetor joint	1	
F2/11	GB/T3452.1-27×2.0	O-ring 27×2.0	1	
F2/12	101305-152QMI-0000	Carburetor base insulator	1	
F2/13	101306-152QMI-0000	Insulator washer	1	
F2/14	101304-152QMI-0000	Clamper	1	

F3

Camshaft & Valve

凸
轮
轴
·
气
门

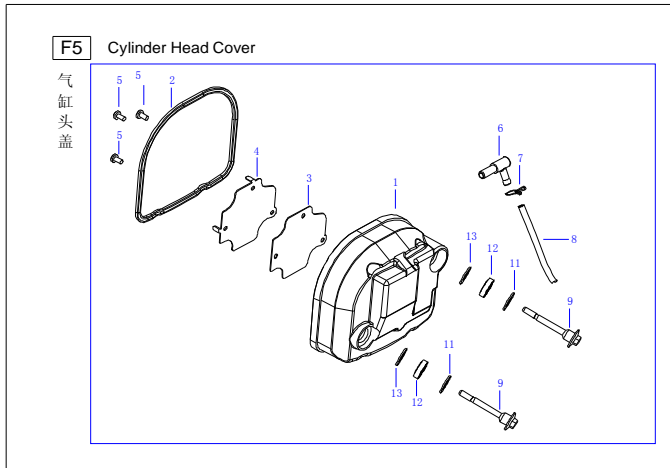


序号	零组件图号	英文名称	数量	F3
PAGE NO.	Component and Part NO.	English Name	Quantity	
F3/1	118100-152QMI-2-0000	Camshaft assy.	1	
F3/2	101432-152QMI-0000	Arm,vale rocker	1	
F3/3	101414-152QMI-0000	Arm,vale rocker.Ex.	1	
F3/4	101438-1P57QMJ-0000	Stopping board assy	1	
F3/4.1	101442-1P57QMJ-0000	stopping board,slice	1	
F3/4.2	101443-1P57QMJ-0000	stopping board	1	
F3/4.3	101441-1P57QMJ-0000	stopping board	1	
F3/5	101436-152QMI-0000	Shaft comp.,Ex.	1	
F3/6	101435-152QMI-0000	Shaft comp., In	1	
F3/7	101433-152QMI-0000	Nut	1	
F3/8	101434-152QMI-0000	Adjusting screw	1	
F3/9	101402-152QMI-2-0000	Intake valve	1	
F3/10	GB13871-5X10.5X8.3	Oil seal , valve rob	2	
F3/11	101404-152QMI-0000	Valve outer spring gasket	2	
F3/12	101406-152QMI-2-0000	Valve outer spring	2	
F3/13	101405-152QMI-2-0000	Valve inner spring	2	
F3/14	101407-152QMI-0000	Valve spring set	2	
F3/15	101408-152QMI-0000	Valve lock clip	4	
F3/16	101401-152QMI-2-0000	Exhaust valve	1	

F5

Cylinder head cover

气
缸
盖
罩

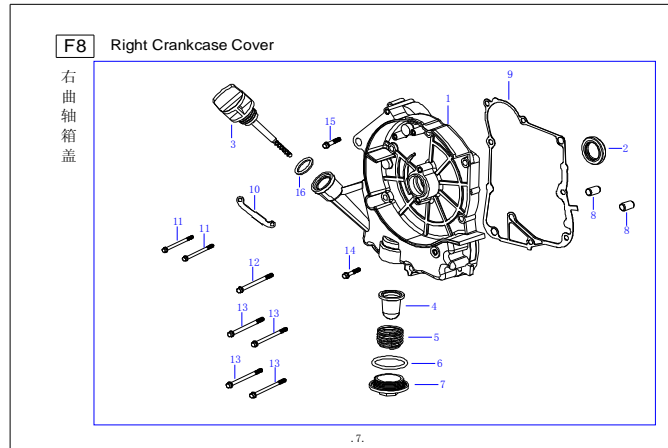


序号	零组件图号	英文名称	数量	F5
PAGE NO.	Component and Part NO.	English Name	Quantity	
F5/1	101101-152QMI-2-0000	Cylinder head cover	1	
F5/2	101102-1P57QMJ-0000	Air tube joint assy.	1	
F5/3	101104-1P57QMJ-0000	Block oil plate washer	1	
F5/4	101103-1P57QMJ-0000	Block oil plate	1	
F5/5	GB818-M4X8	Screw M4x8	3	
F5/6	101110-152QMI-0000	Air tube joint assy.	1	
F5/7	101106-152QMI-0000	Tube clip B8		
F5/8	101105-1P57QMJ-0000	Air tube	1	
F5/9	10110B-152QMI-2-0000	Cylinder head cover bolt M6x65	2	
F5/10	GB818-M4x8	Screw M4x8	3	
F5/11	GB/T97.1-12	Washer 12	4	
F5/12	10110C-152QMI-2-0000	Block oil plate washer	1	

F8

Right crankcase cover

右曲轴箱盖

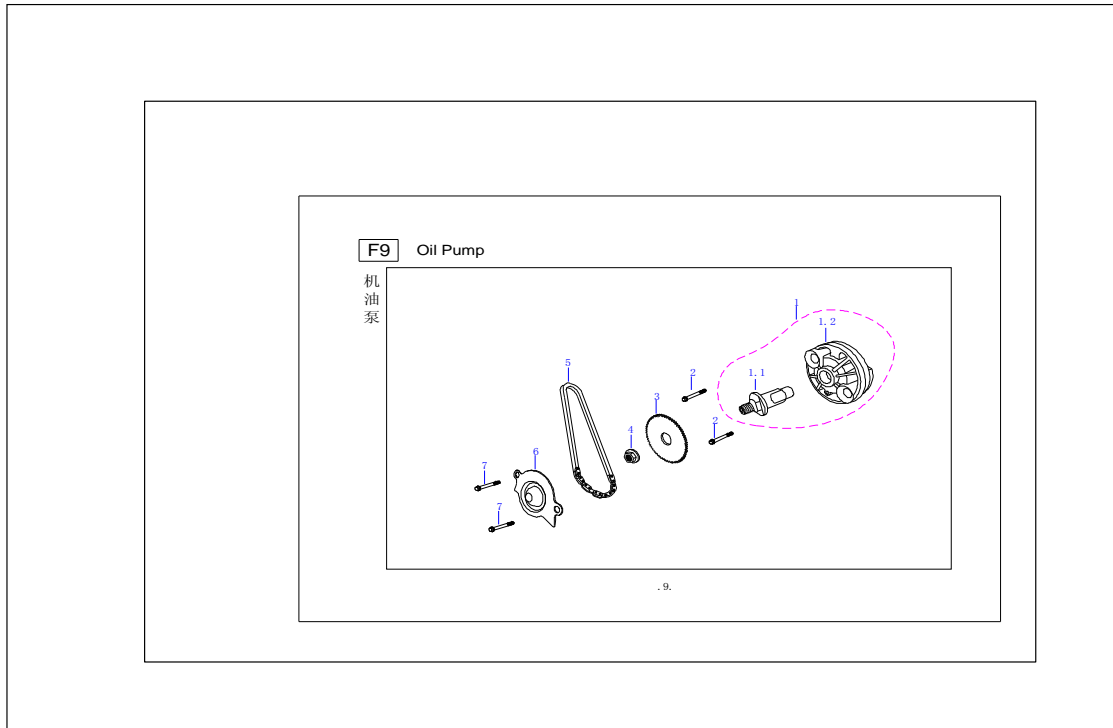


序号	零组件图号	英文名称	数量	F8
PAGE NO.	Component and Part NO.	English Name	Quantity	
F8/1	106110-152QMI-0000	R.Crankcase cover assy.	1	
F8/2	GB13871-20×30×5			
F8/3	106101-152QMI-0000	Engine oil gauge	1	
F8/4	106210-152QMI-0000	Oil filter assy.	1	
F8/5	106202-152QMI-0000	Oil filter spring	1	
F8/6	GB/T3452.1-30.8×3	O ring , engine oil filter cap 30.8×3	1	
F8/7	106201-152QMI-0000	Oil filter cap	1	
F8/8	103002-152QMI-0000	Dowel Pin	2	
F8/9	106001-152QMI-0000	R. crankcase cover washer	1	
F8/10	106103-152QMI-0000	Clip A.C.G.	1	
F8/11	GB5787-M6×110	Bolt M6×110	2	
F8/12	GB5787-M6×100	Bolt M6×100	1	
F8/13	GB5787-M6×95	Bolt M6×95	4	
F8/14	GB5787-M6×40	Bolt M6×40	1	
F8/15	GB5787-M6×32	Bolt M6×32	1	

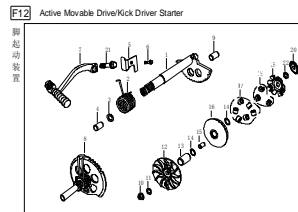
F9

Oil pump

机
油
泵



序号	零 组 件 图 号	英 文 名 称	数 量	F9
PAGE NO.	Component and Part NO.	English Name	Quantity	
F9/1	108120-152QMI-0000	Engine oil pump assy.	1	
F9/1.1	108125-152QMI-0000	Oil pump shaft	1	
F9/1.2	08121-152QMI-0000	Oil pump body	1	
F9/2	GB819-M6×30	Bolt M6×30	2	
F9/3	108110-152QMI-0000	Engine oil pump driven sprocket	1	
F9/4	GB6177-M6	Nut M6	1	
F9/5	108003-152QMI-0000	Engine oil pump drive chain	1	
F9/6	108002-152QMI-0000	Engline oil divide plate	1	
F9/7	GB5787-M6×12	Bolt M6×12	2	

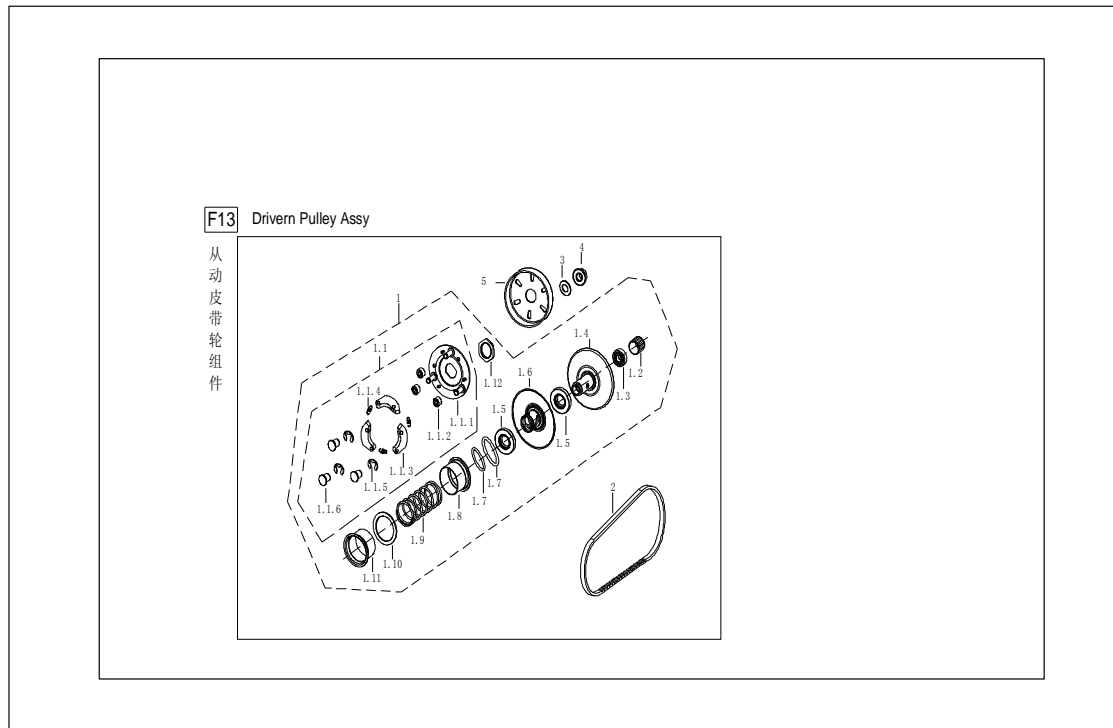
F12**Active Movable Drive/Kick Driver Starter**脚
起
动
装
置

序号	零 组 件 图 号	英 文 名 称	数 量	F12
PAGE NO.	Component and Part NO.	English Name	Quantity	
F12/1	110200-1P57QMJ-0000	Kick starter assy.	1	
F12/2	110214-152QMI-0000	Spring,kick starter	1	
F12/3	110216-152QMI-0000	Washer 14*22*1	1	
F12/4	110213-152QMI-0000	Bush,kick spindle	1	
F12/5	110203-1P57QMJ-0000	Kick starter return stop plate	1	
F12/6	GB/T5787-M6×14	Bolt M6×14	1	
F12/7	110310-1P57QMJ-0000	Kick starter pole assy.	1	
F12/8	110230-1P57QMJ-0000	Kick starter idle gear assy.	1	
F12/9	110215-152QMI-0000	Bush	1	
F12/10	GB/T6177.1-M12×1.25	Nut M12×1.25	1	
F12/11	GB/T1230-12.4×25×2	Washer 12.4×25×2	1	
F12/12	114104-1P57QMJ-0000	Left , driver	1	
F12/13	114102-1P57QMJ-0000	Collar bush	1	
F12/14	114113-152QMI-0000	Clip	2	
F12/15	114112-152QMI-0000	Collar	1	
F12/16	114110-1P57QMJ-0000	Right comp.driver	1	
F12/17	114120-1P57QMJ-0000	Roller set	6	
F12/18	114103-152QMI-0000	block	3	
F12/19	114101-152QMI-0000	Plate	1	
F12/20	110204-1P57QMJ-0000	Starter driven wheel	1	
F12/21	GB/T5787-M6×25	Bolt M6×25	1	
F12/22	GB/T1230-18×35×1.5	Washer 18x35x1.5	1	

F13

Driven pulley assy.

从动皮带轮组

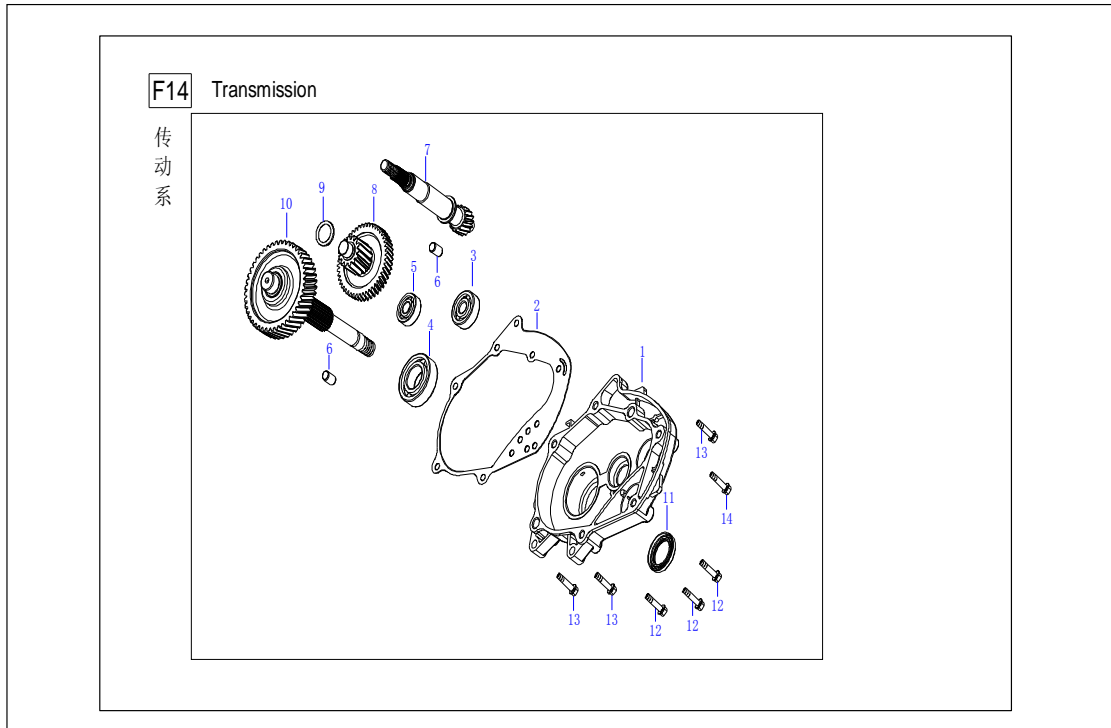


序号	零组件图号	英文名称	数量	F13
PAGE NO.	Component and Part NO.	English Name	Quantity	
F13/1	114200-1P57QMJ-0000	Driven pulley assy.	1	
F13/1.1	114230-1P57QMJ-0000	Plate assy. , driver	1	
F13/1.1.1	114241-1P57QMJ-0000	Plate , driver	1	
F13/1.1.2	114232-1P57QMJ-0000	Rubber , clutch	3	
F13/1.1.3	114250-1P57QMJ-0000	Weight set , clutch	1	
F13/1.1.4	114233-152QMI-0000	Spring,clutch	1	
F13/1.1.5	GB896-92-5	Circlip 5	3	
F13/1.1.6	114243-1P57QMJ-0000	cushion Dowel pin	3	
F13/1.2	114204-152QMI-0000	Needle bearing 20*29*18	1	
F13/1.3	GB276-94	Bearing	1	
F13/1.4	114211-1P57QMJ-0000	Right comp. , driven	1	
F13/1.5	114203-152QMI-0000	Seal 34*41*4	1	
F13/1.6	114202-152QMI-0000	Belt plate.driven	1	
F13/1.7	GB/T3452.1	O-ring	1	
F13/1.8	114212-152QMI-0000	Collar,seal	1	
F13/1.9	114201-1P57QMJ-0000	Spring , driver	1	
F13/1.10	114113-152QMI-0000	Circlip	1	
F13/1.11	114112-152QMI-0000	Collar	1	
F13/1.12	114205-152QMI-0000	Nut M28	1	
F13/2	114001-1P57QMJ-0000	V-belt	1	
F13/3	GB/T1230-12.4×25×2	Washer 12.4×25×2	1	
F13/4	GB/T6177.1-M12	Nut M12	1	
F13/5	114300-1P57QMJ-0000	Outer plat,clutch	1	

F14

Transmission

传动系



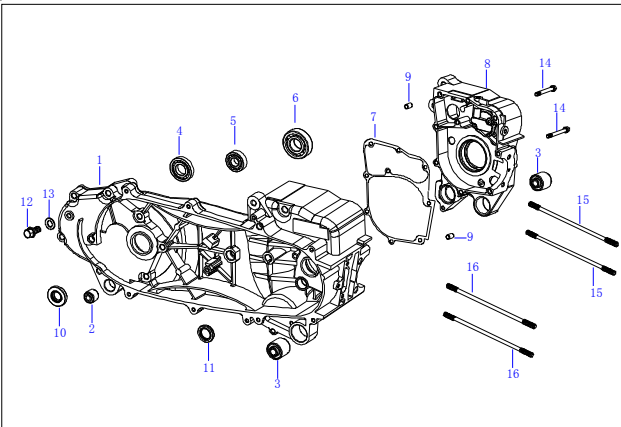
序号	零组件图号	英文名称	数量	F14
PAGE NO.	Component and Part NO.	English Name	Quantity	
F14/1	115009-1P57QMJ-0000	Rear wheel box cover	1	
F14/2	115005-1P57QMJ-0000	Rear wheel box washer	1	
F14/3	GB276-6301/P6	Bearing 6301	1	
F14/4	GB276-6205/RS	Bearing 6205	1	
F14/5	GB276-6201/P6	Bearing 6201	1	
F14/6	101204-152QMI-0000	Dowel pin	2	
F14/7	115001-1P57QMJ-0000	Input gear	1	
F14/8	115010-1P57QMJ-0000	Middle gear shaft assy.	1	
F14/9	GB/T97.1-12.4×23.7×1.5	middle gear washer	1	
F14/10	115050-1P57QMJ-0000	Output gear	1	
F14/11	GB13871-34X52X5	Oil seal, Input gear	1	
F14/12	GB5787-M8X55	Bolt M8x55	3	
F14/13	GB5787-M8X45	Bolt M8x45	3	
F14/14	GB5787-M8X50	Bolt M8x50	1	

F15**Crankcase**

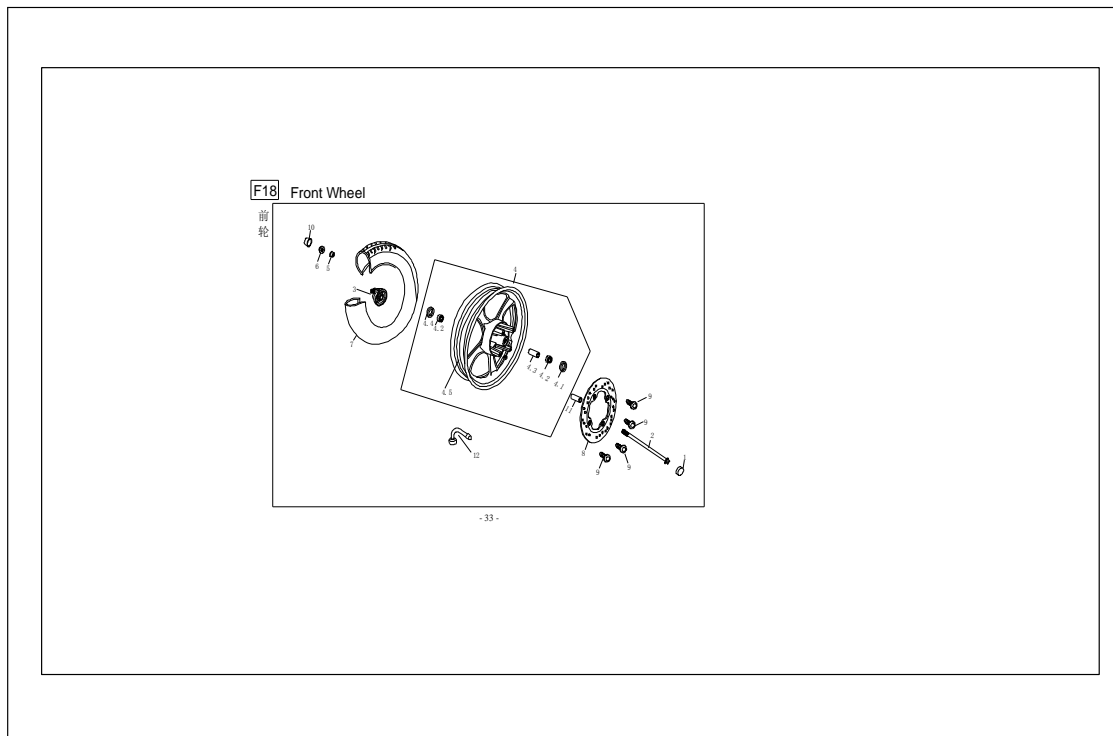
曲轴箱

F15 Crankcase

曲轴箱



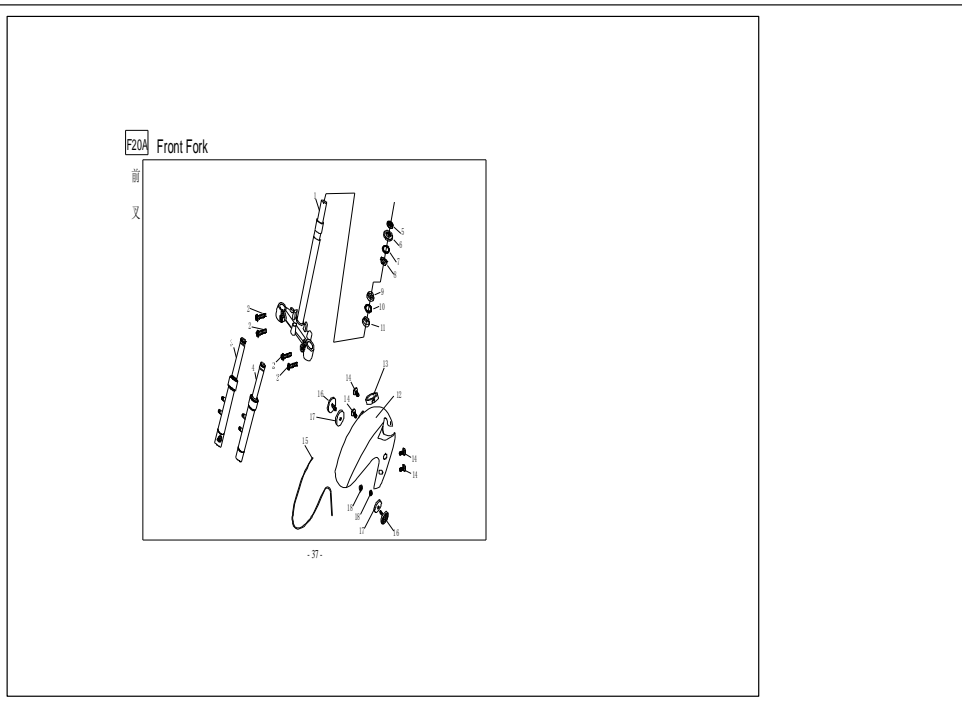
序号	零组件图号	英文名称	数量	F15
PAGE NO.	Component and Part NO.	English Name	Quantity	
F15/1	104110-1P57QMJ-0000	L.Crankcase assy(lengthen)	1	
F15/2	104130-1P57QMJ-0000	Rear absorber bush assy.	1	
F15/3	104120-1P57QMJ-0000	Front absorber bush assy.	2	
F15/4	GB276-6004-2RS	Bearing 6004	1	
F15/5	GB276-6202/P6	Bearing 6202	1	
F15/6	GB276-62/22/P6	Bearing 62/22	1	
F15/7	104002-1P57QMJ-0000	Crankcase washer	1	
F15/8	105110-1P57QMJ-0000	R.Crankcase assy	1	
F15/9	103002-152QMI-0000	Dowel pin	2	
F15/10	GB13871-22×35×6	seat Φ22×Φ35×6	1	
F15/11	GB13871-19.8×30×5	seat Φ19.8×Φ30×5	1	
F15/12	104004-1P57QMJ-0000	Bolt M12x1.5	1	
F15/13	104005-152QMI-0000	Washer Φ12.2×Φ20×2	1	
F15/14	GB5787-M6X50	Bolt M6x50	2	
F15/15	105001-1P57QMJ-0000	Bolt , cylinder stud M8x200	2	
F15/16	104001-1P57QMJ-0000	Bolt , cylinder stud M8x208	2	

F18**Front wheel - Disk brake**前
轮
—
碟
刹

序号	零 组 件 图 号	英 文 名 称	用 量	F18
PAGE NO.	Component and Part NO.	English Name	Quantity	
F18/1	401005-TK2B-0000	Left rubber cap	1	
F18/2	401003-TK2B-0000	Front wheel axle	1	
F18/3	401200-TK2B-0000	Speedometer gear assy	1	
F18/4	401100-TK2B-0200	Front rim assy.	1	
F18/4.1	YF50×40×5	Left dust seal,front wheel	1	
F18/4.2	GB/T278-6201	Bearing 6201	2	
F18/4.3	401101-TK2A-0000	Central bush	1	
F18/4.4	YF37×23×7	Right dust seal,front wheel	1	
F18/4.5	401110-TK2B-0000	Front rimMT2.5×16	1	
F18/5	401002-TK2B-0000	Right bush	1	
F18/6	GB/T6187-M12×1.25	Nut M12×1.25	1	
F18/7	GB/T 2983-W-100/80-16	Tyre 100/80-16	1	
F18/8	404001-TK2B-0000	Brake disc	1	
F18/9	404002-TK2B-0000	Bolt	4	
F18/10	401006 TK2B-0000	Right rubber cap	1	
F18/11	401001-TAC-0000	Left bush	1	
F18/12	401120-TK2B-0000	Valve(100/80-16 tyre)	1	

F20 **Front fork**

前
叉



序号	零 组 件 图 号	英 文 名 称	用 量	F20
PAGE NO.	Component and Part NO.	English Name	Quantity	
F20/1	504110-TK2B-0000	Steering column welding assy.	1	
F20/2	GB/T 5789-M10×40	Bolt M10×40	4	
F20/3	504400-TK2B-0000	Front shock absorber,right	1	
F20/4	504300-TK2B-0000	Front shock absorber,left	1	
F20/5	504501-TK2B-0000	Lock nut	1	
F20/6	504502-TK2B-0000	Upper bearing top	1	
F20/7	504510-TK2B-0000	Upper steel ball assy	1	
F20/8	504503-TK2B-0000	Upper bearing cup	1	
F20/9	504504-TK2B-0000	Bottom bearing cup	1	
F20/10	504520-TK2B-0000	Bottom steel ball assy	1	
F20/11	504505-TK2B-0000	Bottom bearing top	1	
F20/12	604105-TK2B-0101	Front fender	1	
F20/13	604111-TK2B-0000	Odometer tube lead ring	1	
F20/14	330601-TK2B-0000	Bolt M6×16	4	
F20/15	604103-TK2B-0100	Rubber strip, front fender	1	
F20/16	325100-TAA-0000	Side reflector	2	
F20/17	325103-TAA-0000	Prtect rubber, side reflector	2	
F20/18	GB/T 6177-M6	Nut M6	2	

F21

Center stand & Side stand

主
支
架
·
侧
支
架

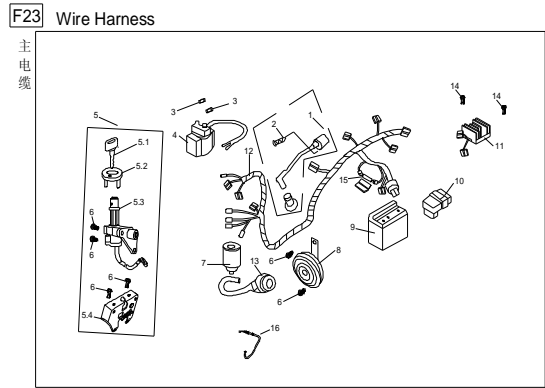


序号	零 组 件 图 号	英 文 名 称	用 量	F21
PAGE NO.	Component and Part NO.	English Name	Quantity	
F21/1	501210-TJ3A-0000	Main stand assy.	1	
F21/2	GB/T5789-M10×30	Bolt, main standM10×30	2	
F21/3	501208-TK2B-0000	Fixing bush	2	
F21/4	501220-TK2B-0000	Spring , main stand	2	
F21/5	501301-TK2B-0000	Bolt, side stand	1	
F21/6	501310-TJ3A-0000	Side stand assy.	1	
F21/7	501320-TK2B-0000	Spring , side stand	2	
F21/8	GB/T 6177-M8	Nut M8	1	
F21/9	501231-TK2B-0000	Spring bracket , main stand	1	
F21/10	GB/T5789-M6×16	Bolt M6×16	1	
F21/11	501202-TJ3A-0000	Main stand cushion rubber	1	
F21/12	TB/T5789-M6×30	Bolt M6×30	1	

F23

Wire harness

主
电
缆



F23 Wire Harness

主
电
缆

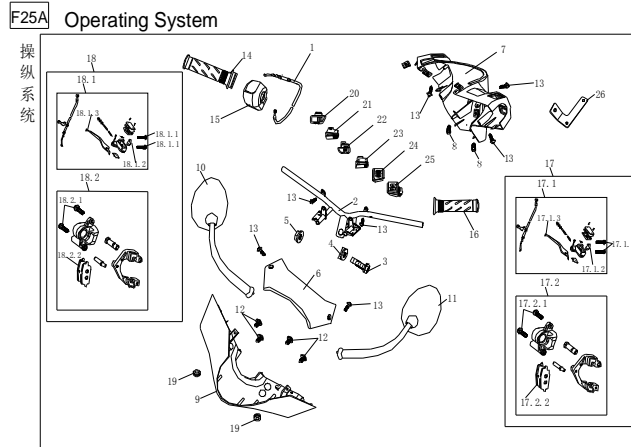
- 43 -

序号	零 组 件 图 号	英 文 名 称	用 量	F23
PAGE NO.	Component and Part NO.	English Name	Quantity	
F23/1	301200-152QMI-0000	Ignition coil	1	
F23/2	GB/T 818-M6×16	Screw M6×16	1	
F23/3	GB/T 6177-M6	Nut M6	2	
F23/4	301400-152QMI-0000	Start relay	1	
F23/5	350000-TK2B-0000	Lock assy.	1	
F23/5.1	350120-TK2B-0000	Key	1	
F23/5.2	350101-TK2B-0000	Ignition switch lock cover	1	
F23/5.3	350110-TK2B-0000	Ignition switch lock	1	
F23/5.4	350400-TK2B-0000	Seat lock	1	
F23/6	GB/T 5789-1M6×16	Bolt M6×16	6	
F23/7	308500-TA9-0000	Flasher	1	
F23/8	302000-TK2B-0100	Horn	1	
F23/9	305100-TK2B-0000	Battery	1	
F23/10	301100-TK2B-0000	Electric ignition assy.	1	
F23/11	301300-1P57QMJ-0000	Rectifier adjuster	1	
F23/12	304100-TJ3A-0000	Wiring assy.	1	
F23/13	330600-TA9-0000	Off switch assy.	1	
F23/14	GB/T5789-M6×12	Bolt M6×12	1	
F23/15	304110-TK2B-0000	Fuse	1	
F23/16	540900-TJ3A-0000	Cable, seat lock	1	

F25

Operating system - F&R:disk brake

操纵系统——前后碟刹

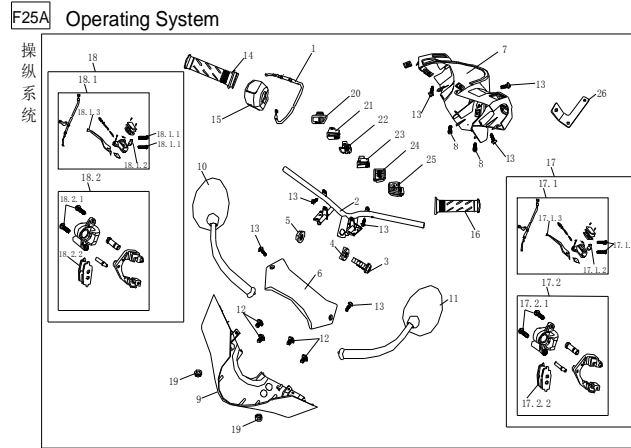


序号	零组件图号	英文名称	用量	F25
PAGE NO.	Component and Part NO.	English Name	Quantity	
F25/1	540400-TJ3A-0000	Throttle link assy	1	
F25/2	505100-TK2B-0100	Direction handlebar assy.	1	
F25/3	GB/T 5789-M10×1.25×50	Bolt M10×1.25×50	1	
F25/4	504101-TK2B-0000	Bush	1	
F25/5	GB/T 6187-M10×1.25	Nut M10×1.25	1	
F25/6	601123-TK2B-0101	Cover.guiding wind	1	
F25/7	601102-TK2B-0000	Rear part.head cover	1	
F25/8	GB/T 818-M5×12	Bolt M5×12	1	
F25/9	601101-TK2B-0001	Front part.head cover	1	
F25/10	610200-TK2B-0100	Rear-view mirror comp. right	1	
F25/11	610100-TK2B-0100	Rear-view mirror comp. left	1	
F25/12	GB/T 845-ST4.2×12	Screw tapping ST4.2×12	4	
F25/13	GB/T 845- ST4.2×16	Screw tapping ST4.2×16	7	
F25/14	530400-TK2B-0100	Greaser gum set	1	
F25/15	530700-TK2B-0000	Accelerator	1	
F25/16	530300-TK2B-0100	Left grip assy.	1	
F25/17	406000-TK2B-0000	Rr. hydraulic brake assy.	1	
F25/17.1	406110-TK2B-0000	Master cylinder assy.	1	
F25/17.1.1	GB/T 5789-M6×22	Bolt M6×22	2	
F25/17.1.2	406101-TK2B-0000	Master cylinder stator	1	
F25/17.1.3	530101-TK2B-0000	Rear brake lever	1	
F25/17.2	404200-TK2B-0000	Caliper assy.(Rr.)	1	
F25/17.2.1	GB/T 5789-M8×30	Bolt M8×30	2	
F25/17.2.2	405100-TK2B-0000	Brake shoe assy.(Rr.)	1	

F25

Operating system - F&R:disk brake

操纵系统
——
前后碟刹



序号	零组件图号	英文名称	用量	F25
PAGE NO.	Component and Part NO.	English Name	Quantity	
F25/18	404000-TK2B-0000	Disk brake assy.(Fr.)	1	
F25/18.1	406110-TK2B-0000	Master cylinder assy.	1	
F25/18.1.1	GB/T 5789-M6×22	Bolt M6×22	2	
F25/18.1.2	404101-TK2B-0000	Master cylinder stator	2	
F25/18.1.3	530201-TK2B-0000	Front brake lever	1	
F25/18.2	404200-TK2B-0000	Caliper assy.(Fr.)	1	
F25/18.2.1	GB/T 5789-M8×30	Bolt M8×30	2	
F25/18.2.2	403100-TK2B-0000	Brake shoe assy.(Fr.)	1	
F25/19	601126-TK2B-0000	Nether fixing rubber , Fr , part head cover	1	
F25/20	330210-TK2B-0000	Lighting switch	1	
F25/21	330130-TK2B-0000	Horn switch	1	
F25/22	330120-TK2B-0000	Turning switch	1	
F25/23	330230-TK2B-0000	Electric start switch	1	
F25/24	330240-TK2B-0000	Hand off switch	1	
F25/25	330110-TK2B-0000	Change light switch	1	
F25/26	501030-TK2B-0000	Horn bracket welding assy.	1	
F25/27	GB/T5789-M8×25	Bolt M8×25	2	

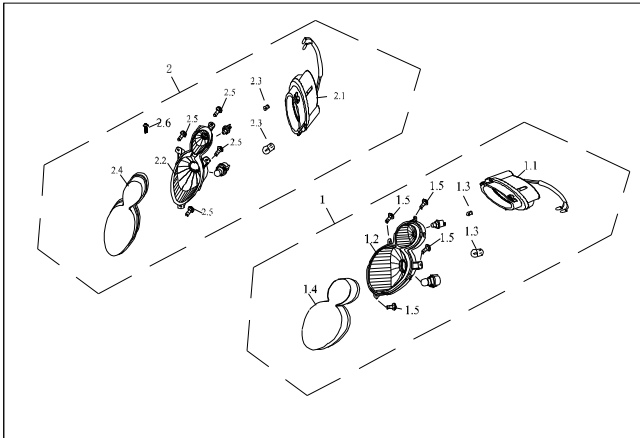
F27

Front wimker

前
转
向
灯

F27 Front Turning Light

前
转
向
灯

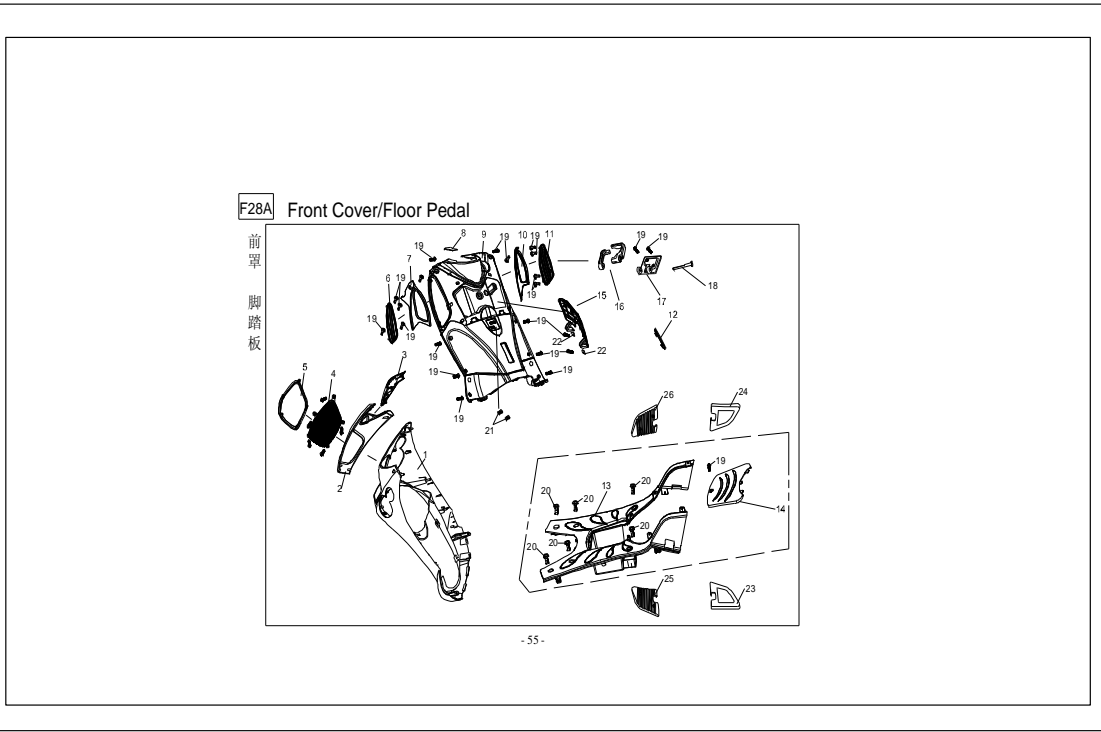


序号	零组件图号	英文名称	用量	F27
PAGE NO.	Component and Part NO.	English Name	Quantity	
F27/1	322100-TK2B-0000	Front turning light assy (L.)	1	
F27/1.1	322140-TK2B-0000	Front turning light housing (L.)	1	
F27/1.2	322120-TK2B-0000	Front turning light socket (L.)	1	
F27/1.3	322110-TK2B-0000	Front turning light bulb (L.)	1	
F27/1.4	322131-TK2B-0000	F. turning light lamp shade (L.)	1	
F27/1.5	GB/T845-ST3.9×16	Screw tapping ST3.9×16	1	
F27/2	322200-TK2B-0000	Front turning light assy (R.)	1	
F27/2.1	322140-TK2B-0000	Front turning light housing (R.)	1	
F27/2.2	322120-TK2B-0000	Front turning light socket(R.)	1	
F27/2.3	322110-TK2B-0000	Front turning light bulb(R.)	1	
F27/2.4	322131-TK2B-0000	F. turning light lamp shade(R.)	1	
F27/2.5	GB/T845-ST3.9×16	Screw tapping ST3.9×16	1	
F27/2.6	GB/T818-M5×12	Bolt M5×12	2	

F28

Front cover & Floor Pedal

前罩
脚踏板



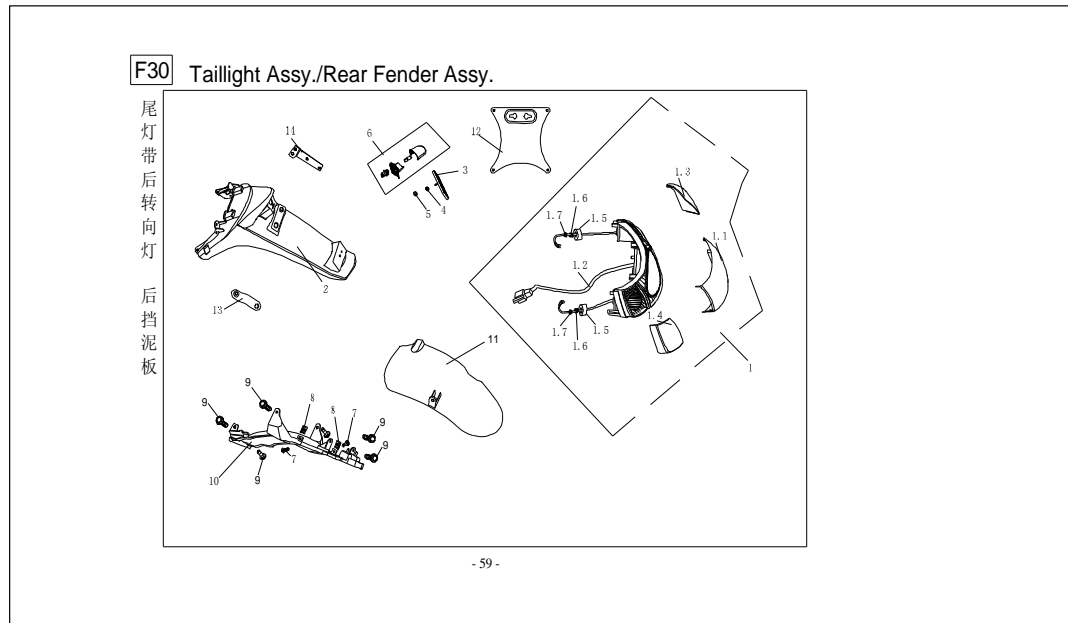
- 55 -

序号	零组件图号	英文名称	用量	F28
PAGE NO.	Component and Part NO.	English Name	Quantity	
F28/1	601601-TK2B-0001	Front protect cover	1	
F28/2	601103-TK2B-0001	Front cover	1	
F28/3	601117-TK2B-0001	Front panel decorates cover	1	
F28/4	601105-TK2B-0101	Ex-net	1	
F28/5	508054-TK2B-0001	EX-net frame	1	
F28/6	601314-TK2B-0001	Aerator,Fr.luggage box(L.)	1	
F28/7	508042-TK2B-0001	Left side covers	1	
F28/8	601308-TK2B-0001	Connect clump	1	
F28/9	601301-TK2B-0001	Fr.luggage box assy.	1	
F28/10	508043-TK2B-0001	Right side covers	1	
F28/11	601315-TK2B-0001	Aerator,Fr.luggage box(R.)	1	
F28/12	601303-TK2B-0000	Fork number board	1	
F28/13	601401-TK2B-0000	Pedal	1	
F28/14	601403-TK2B-0000	Battery box cover	1	
F28/15	601305-TK2B-0001	Fr.luggage box cover	1	
F28/16	601540-TK2B-0001	Hook,helmet	1	
F28/17	601541-TK2B-0000	Armet pothook	1	
F28/18	601542-TK2B-0000	Chirp post	1	
F28/19	GB/T 845-ST4.2×16	Screw tapping ST4.2×16	16	
F28/20	GB/T 5789-M6×12	Bolt M6×12	6	
F28/21	821042-TK2B-0000	Clip 4.2	6	
F28/22	601322-TK2B-0000	Connected plate bolt, Fr. luggage box	2	
F28/23	501572-TK2B-0000	Nether part , pedal L.	1	
F28/24	501582-TK2B-0000	Nether part , pedal R.	1	
F28/25	501571-TK2B-0000	Upper part , pedal L.	1	
F28/26	501581-TK2B-0000	Upper part , pedal R.	1	

F30

Rear light assy. & Rear fender assy.

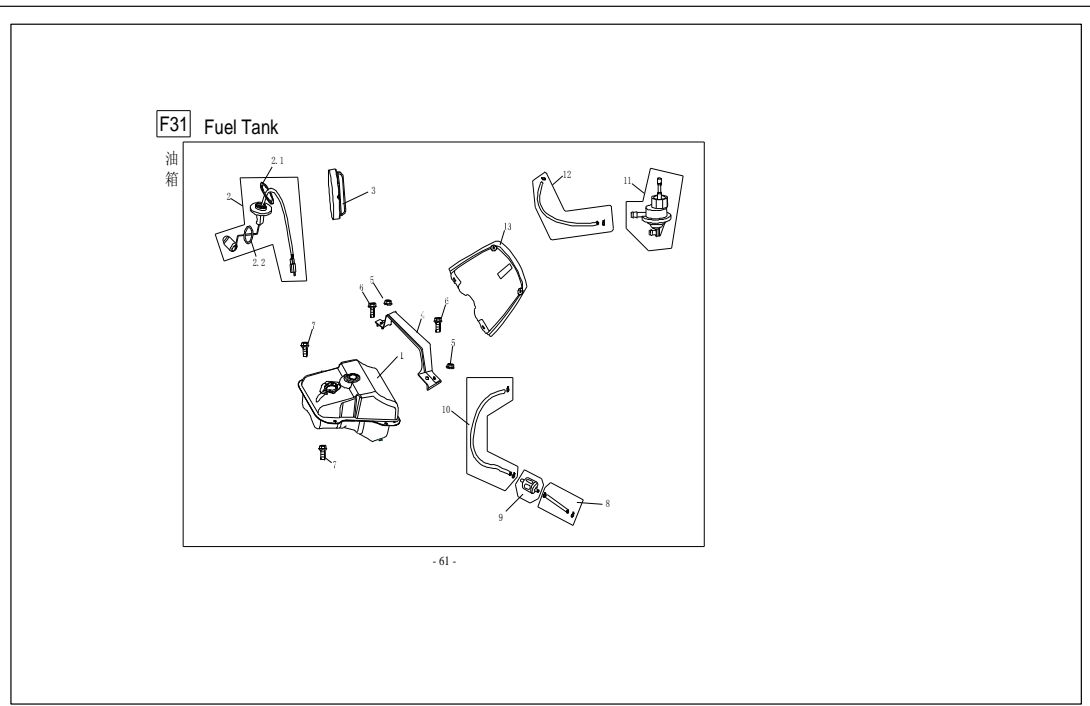
尾灯
·
后挡泥板



序号	零组件图号	英文名称	用量	F30
PAGE NO.	Component and Part NO.	English Name	Quantity	
F30/1	321100-TK2B-0000	Taillight assy.	1	
F30/1.1	321131-TK2B-0000	Lampshade, taillight	1	
F30/1.2	321160-TK2B-0000	Cable,taillight	1	
F30/1.3	323231-TK2B-0000	Rear turning light lampshade(R.)	2	
F30/1.4	323131-TK2B-0000	Rear turning light lampshade(L.)	2	
F30/1.5	323001-TK2B-0000	Rubber	2	
F30/1.6	GB96.1-Φ10	Washer Φ10	2	
F30/1.7	GB/T 6187-M10×1.25	Nut M10×1.25	2	
F30/2	604213-TK2B-0000	Nether part, Rr. fender	1	
F30/3	325200-TA9-0000	Rear reflector	1	
F30/4	GB/T 96- Φ5	Gasket Φ5	1	
F30/5	GB/T 6177- M5	Nut M5	2	
F30/6	321400-TK2B-0000	Empress, licenselight	1	
F30/7	GB9074.6-M5×16	Screw M5×16	2	
F30/8	821042-TK2B-0000	Clip ST4.2	2	
F30/9	GB/T 5789-M6×12	Bolt M6×12	6	
F30/10	604212-TK2B-0000	Connected plate bolt, Fr. luggage box	1	
F30/11	604211-TK2B-0000	Rear wheel fender	1	
F30/12	501620-TK2B-0000	Bracket assy. , Rear license plate	1	
F30/13	501901-TJ3A-0000	Rear wheel fender fixing bracket L.	1	
F30/14	501902-TK2B-0000	Rear wheel fender fixing bracket R.	1	

F31**Fuel tank**

油箱

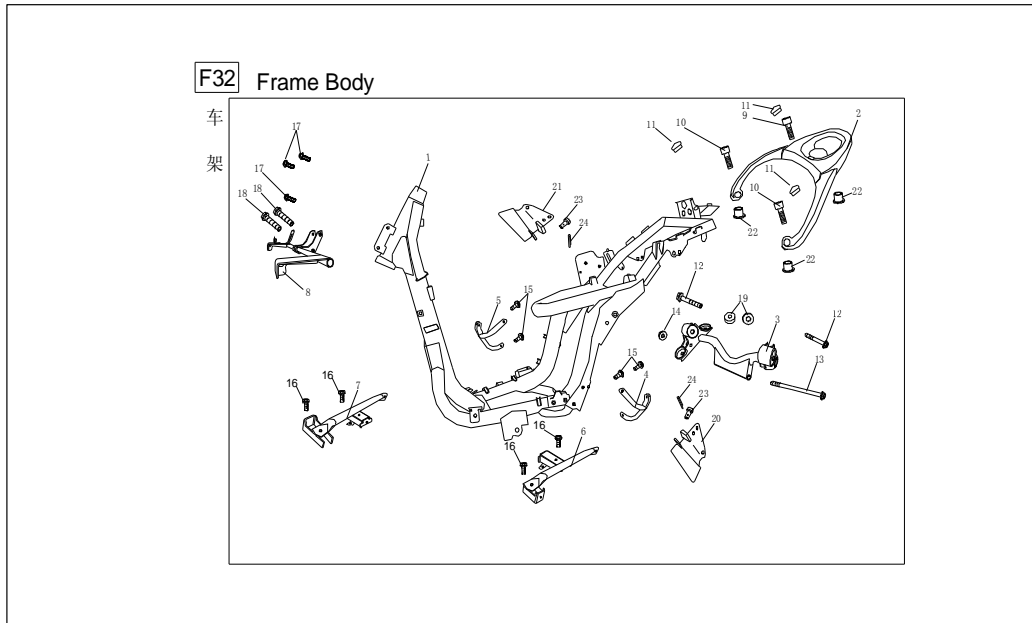


序号	零组件图号	英文名称	用量	F31
PAGE NO.	Component and Part NO.	English Name	Quantity	
F31/1	515010-TK2B-0000	Fuel tank welding assy	1	
F31/2	340100-TK2B-0000	Fuel transducer	1	
F31/2.1	515202-TK2B-0000	Transducer pressable cover	1	
F31/2.2	515201-TK2B-0000	Rubber ring	1	
F31/3	350300-TA7-0000	Fuel tank lock assy.	1	
F31/4	501050-TK2B-0000	Rr. bracket fixing plate welding assy.	1	
F31/5	GB/T 5789-M6	Nut M6	2	
F31/6	GB/T 5789-M8×16	Bolt M8×16	2	
F31/7	GB/T 5789-M6×12	Bolt M6×12	2	
F31/8	515130-TAC-0000	Tube A	1	
F31/9	515120-TA9-0000	Fuel filter	1	
F31/10	515140-TAC-0000	Tube B	1	
F31/11	515100-TA9-0000	Fuel switch assy.	1	
F31/12	515150-TK2B-0000	Tube, negative pressure	1	
F31/13	601214-TK2B-0000	Fuel tank cover	1	

F32

Frane body

车架

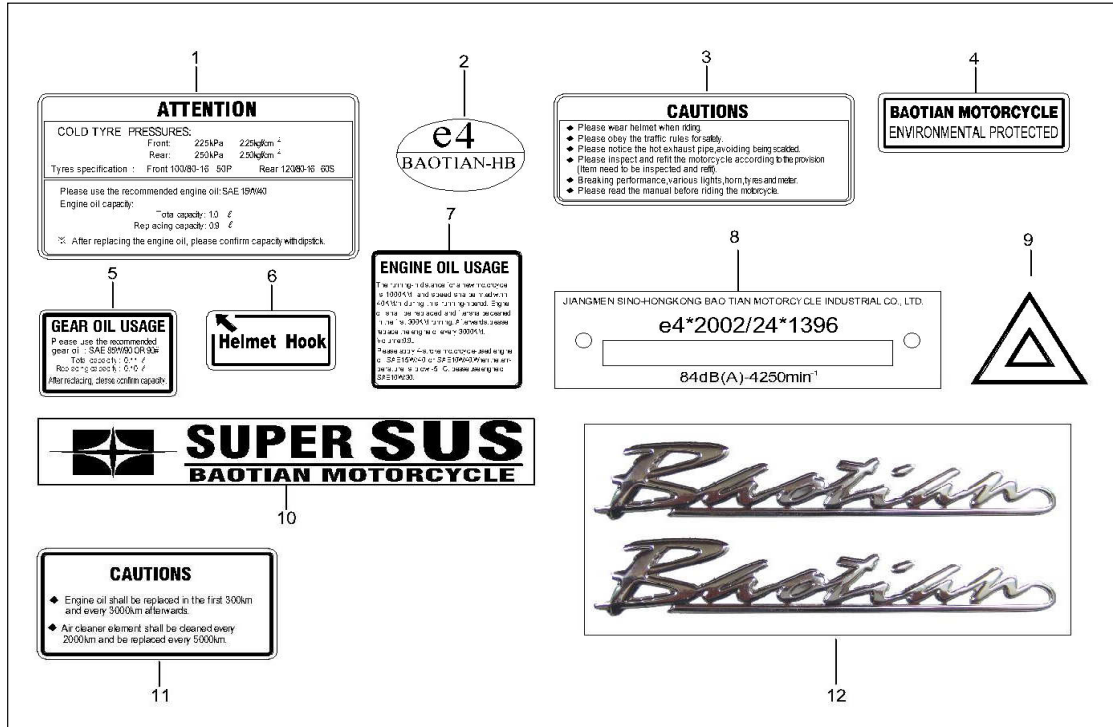


序号	零组件图号	英文名称	用量	F32
PAGE NO.	Component and Part NO.	English Name	Quantity	
F32/1	501100-TJ3A-0000	Frame welding assy	1	
F32/2	512300-TK2B-0000	Bracket, carrier	1	
F32/3	501710-TJ3A-0000	Engine hanging rack welding assy	1	
F32/4	501510-TK2B-0000	Rr. kick start lever assy.L	1	
F32/5	501520-TK2B-0000	Rr. kick start lever assy.R	1	
F32/6	5010H0-TK2B-0000	Fr. fixing bracket assy. , pedal L.	1	
F32/7	5010J0-TK2B-0000	Fr. fixing bracket assy. , pedal R.	1	
F32/8	5010A0-TK2B-0000	Bracket assy. , Fr. cover	1	
F32/9	GB/T 70-M8×50	Bolt M8×50	1	
F32/10	GB/T 70-M8×30	Bolt M8×30	2	
F32/11	506302-TK2B-0000	Cap, carrier	2	
F32/12	GB/T 5787-M10×1.25×55	Bolt M10×1.25×55	2	
F32/13	501704-TK2B-0000	Assembling axis, engine	1	
F32/14	GB/T 6170-M10×1.25	Nut M10×1.25	1	
F32/15	GB/T 5789-M8×16	Bolt M8×16	4	
F32/16	GB/T 5789-M6×16	Bolt M6×16	4	
F32/17	GB/T 5789-M6×12	Bolt M6×12	4	
F32/18	GB/T 5787-M6×50	Bolt M6×50	2	
F32/19	501701-TK2B-0000	Hanging bracket cushion rubber	2	
F32/20	501530-TK2B-0000	Rr. connected plate assy., kick start lever L.	1	
F32/21	501540-TK2B-0000	Rr. connected plate assy., kick start lever L.	1	
F32/22	506303-TK2B-0000	Fixing bush	3	
F32/23	GB/T882-5.8×40	Pin 5.8×40	2	
F32/24	GB/T91-1.4×20	Cotter pin 1.4×20	2	

F36

Mark

标
贴



序号	零组件图号	英文名称	用量	F36
PAGE NO.	Component and Part NO.	English Name	Quantity	
F36/1	830301-TK2B-0000	Mark, central cover	1	
F36/2	830311-TK2B-0000	Mark e4	1	
F36/3	830304-TA9-0000	Mark B, head cover	1	
F36/4	830302-TA9-0000	Mark C, head cover	1	
F36/5	830306-TA9-0000	Gear oil mark	1	
F36/6	830305-TA9-0000	Mark, helmet hook	1	
F36/7	830307-TA9-0000	Engine oil mark	1	
F36/8	830101-TK2B-0000	Name eplate, main frame	1	
F36/9	830316-TA9-0000	Mark, triangle	1	
F36/10	830349-TA9-0000	Applique, front shock absorber	2	
F36/11	830308-TA9-0000	Air cleaner mark	1	
F36/12	830203-TK2B-0100	Mark, side cover	2	