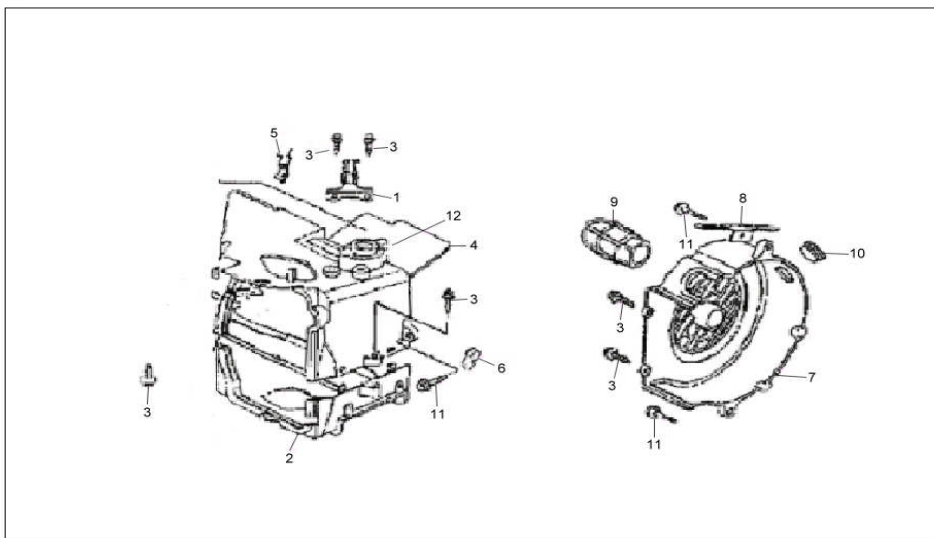




**BAOTIAN TANCO 125CC
ERSATZTEILE HANDBUCH
BT125T-12F**

F1 Cover breathe & Cover shroud

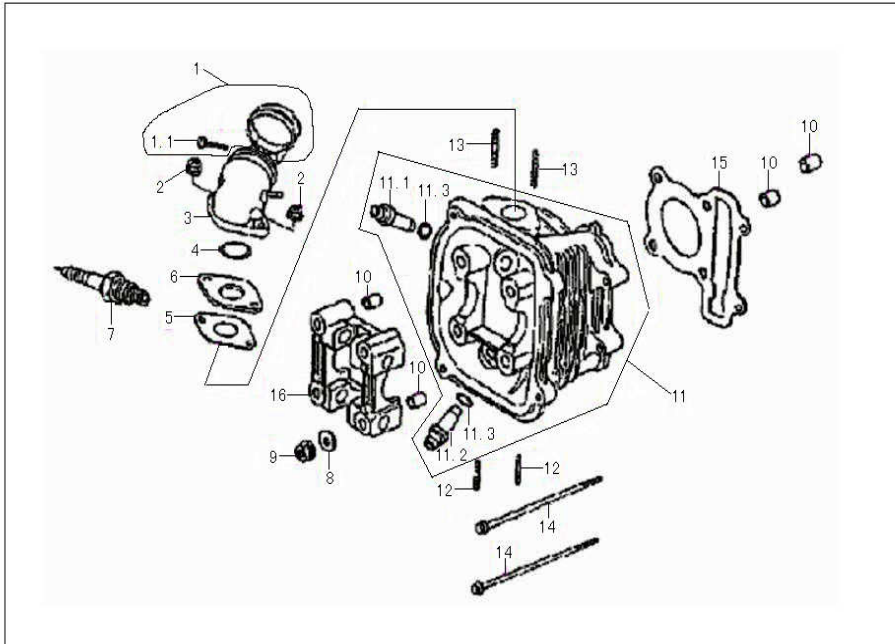
进气罩·导风罩



PAGE NO.	Component and Part NO.	English Name	Quantity
F1/1	119011-152QMI-0000	Clamper,breather tube	1
F1/2	119020-152QMI-0000	Shroud nether assy.	1
F1/3	GB5782-M5×16	Screw tapping ST5×16	4
F1/4	119010-152QMI-0000	Shroud upper assy.	1
F1/5	119013-152QMI-0000	Cord clip	1
F1/6	103005-152QMI-0000	Overflow oil tube clip	1
F1/7	119030-152QMI-0000	Intake air cover assy.	1
F1/8	119034-152QMI-0000	Start motor wire clip	1
F1/9	119033-152QMI-0000	Cooling tube	1
F1/10	119031-152QMI-0000	Observed plug	1
F1/11	GB5787-M6×25	Bolt M6×25	3
F1/12	119012-152QMI-0000	Tensioner mulch	1

F2 Cylinder head

气缸头

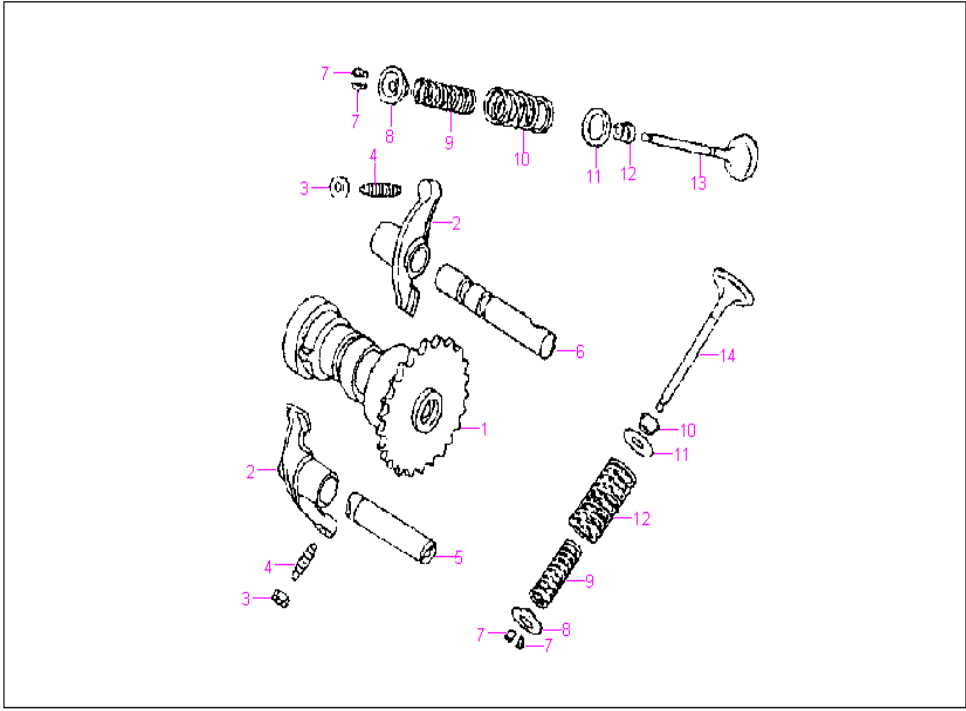


PAGE NO.	Component and Part NO.	English Name	Quantity
F2/1	101304-152QMI-0000	Clamper	1
F2/1.1	GB/T 818-M4x25	Screw M4x25	1
F2/2	GB6177-M6	Nut M6	2
F2/3	101302-152QMI-0000	Pipe in	1
F2/4	GB/T3452.1-27x2.0	O-ring 27x2.0	1
F2/5	101305-152QMI-0000	Carburetor base insulator	1
F2/6	101306-152QMI-0000	Insulator washer	1
F2/7	101201-139QMA-0000	Spark plug	1
F2/8	GB/T97.1-8.4x18x2	Washer 8.4x18x2	4
F2/9	101203-152QMI-0000	Nut M8	4
F2/10	101204-152QMI-0000	Dowel Pin	4
F2/11	101210-152QMI-0000	Cylinder head assy.	1
F2/11.1	101211-152QMI-0000	Guide pipe,in valve	1
F2/11.2	101213-152QMI-0000	Guide pipe,ex valve	1
F2/11.3	GB/T3452.1-9x1.6	O-ring 9x1.6	2
F2/12	101202-152QMI-0000	2-stud bolt M6x32	2
F2/13	101301-152QMI-0000	2-stud bolt M6x63	2
F2/14	GB5787-M6x100	Bolt M6x100	2
F2/15	101205-152QMI-0000	Cylinder head washer	1
F2/16	101430-152QMI-0000	Camshaft fixing base assy.	1

F3 Camshaft/Valve

凸
轮
轴

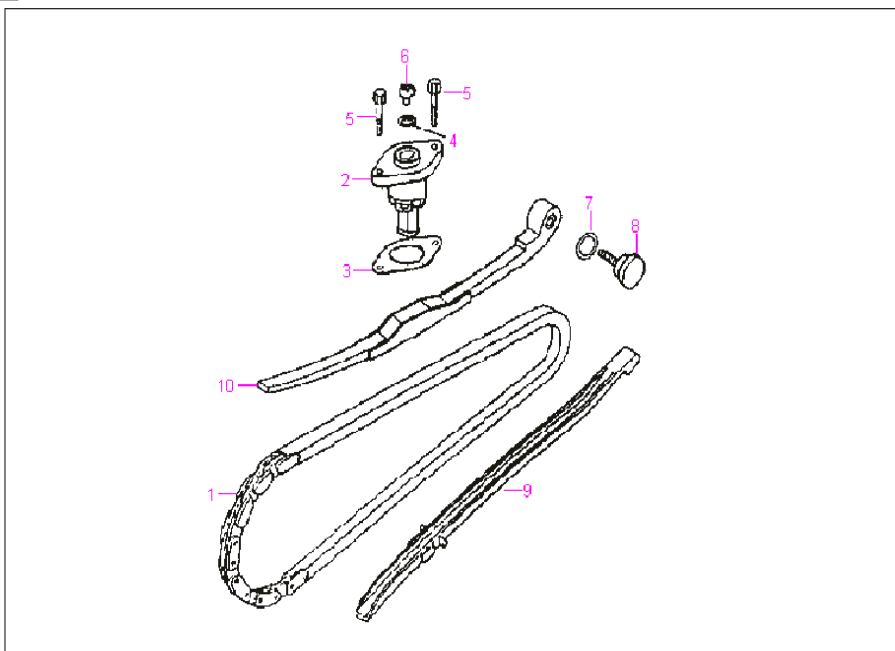
气
门



PAGE NO.	Component and Part NO.	English Name	Quantity
F3/1	118100-152QMI-0000	Camshaft assy.	1
F3/2	101432-152QMI-0000	Arm,vale rocker	2
F3/3	101433-152QMI-0000	Nut	2
F3/4	101434-152QMI-0000	Adjusting screw	2
F3/5	101436-152QMI-0000	Shaft comp.,Ex.	1
F3/6	101435-152QMI-0000	Shaft comp., In	1
F3/7	101408-152QMI-0000	Valve lock clip	4
F3/8	101407-152QMI-0000	Valve spring set	2
F3/9	101405-152QMI-0000	Valve inner spring	2
F3/10	101406-152QMI-0000	Valve outer spring	2
F3/11	101404-152QMI-0000	Valve outer spring gasket	2
F3/12	GB13871-5x10.5x8.3	Oil seal, valve robb 5x10.5x8.3	2
F3/13	101402-152QMI-0000	Intake valve	1
F3/14	101401-152QMI-0000	Exhaust valve	1
F3/15	101414-152QMI-0000	Arm,vale rocker,Ex.	1

F4 Camchain & Tensioner

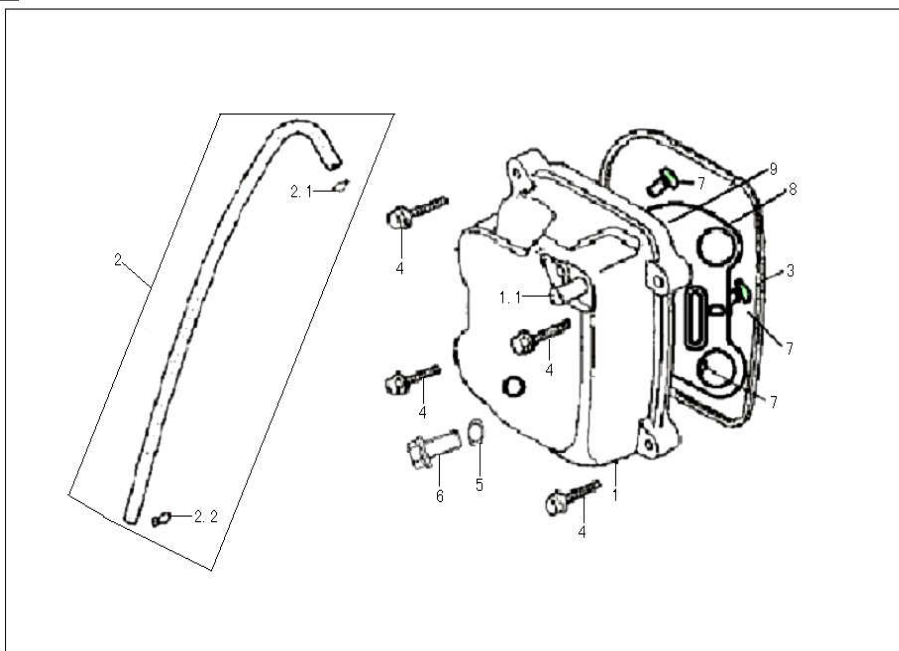
正时链条·张紧器



PAGE NO.	Component and Part NO.	English Name	Quantity
F4/1	118200-152QMI-0000	Timing chain	1
F4/2	118300-152QMI-0000	Tensioner assy.	1
F4/3	118002-152QMI-0000	Tensioner washer	1
F4/4	GB/T3452.1-9.5x1.5	O ring, brake shoe fixing shaft9.5x1.5	1
F4/5	GB5787-M6x22	Bolt M6x22	2
F4/6	118301-152QMI-0000	Bolt M6x6	1
F4/7	GB/T3452.1-15.2x1.5	O ring 15.2x1.5	1
F4/8	118001-152QMI-0000	Bolt,tensioning board	1
F4/9	118020-152QMI-0000	Oriented plate assy.	1
F4/10	118010-152QMI-0000	Tensioner assy.	1

F5 **Cylinder head cover**

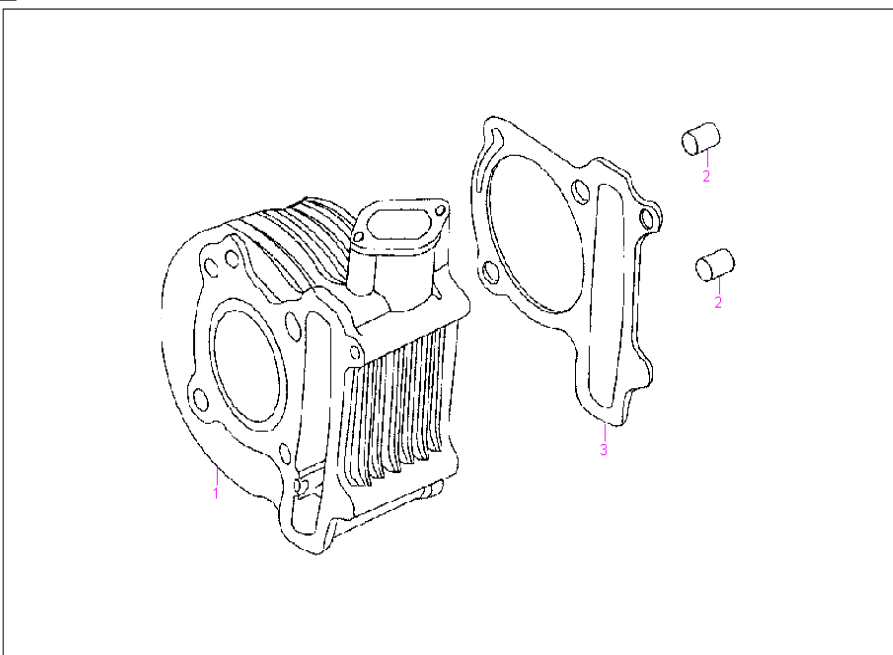
气
缸
盖
罩



PAGE NO.	Component and Part NO.	English Name	Quantity
F5/1	101101-152QMI-0000	Cylinder head cover	1
F5/1.1	101110-152QMI-0000	Air tube joint assy.	1
F5/2	101105-152QMI-0000	Air tube assy.(long)	1
F5/2.1	101106-152QMI-0000	Tube clip B8	1
F5/2.2	101106-152QMI-0000	Tube clip B12	1
F5/3	101102-152QMI-0000	Cylinder head cover washer	1
F5/4	GB5787-M6×25	Bolt M6×25	4
F5/5	GB/T97.1-6	Airproof gasket φ6	1
F5/6	GB5789-M6×12	Bolt M6×12	1
F5/7	GB818-M4×8	Screw M4×8	3
F5/8	101103-152QMI-0000	Block oil plate	1
F5/9	101104-152QMI-0000	Block oil plate washer	1

F6 Cylinder

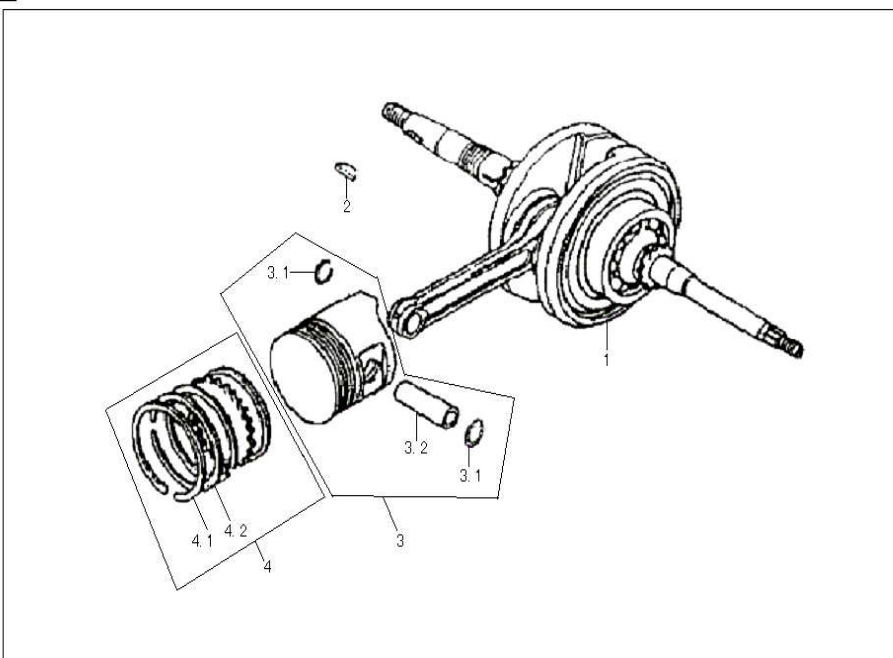
气缸



PAGE NO.	Component and Part NO.	English Name	Quantity
F6/1	102010-152QMI-0000	Cylinder head assy.	1
F6/2	101204-152QMI-0000	Dowel Pin	2
F6/3	102003-152QMI-0000	Cylinder washer	1

F7 Crankshaft assy. & Piston

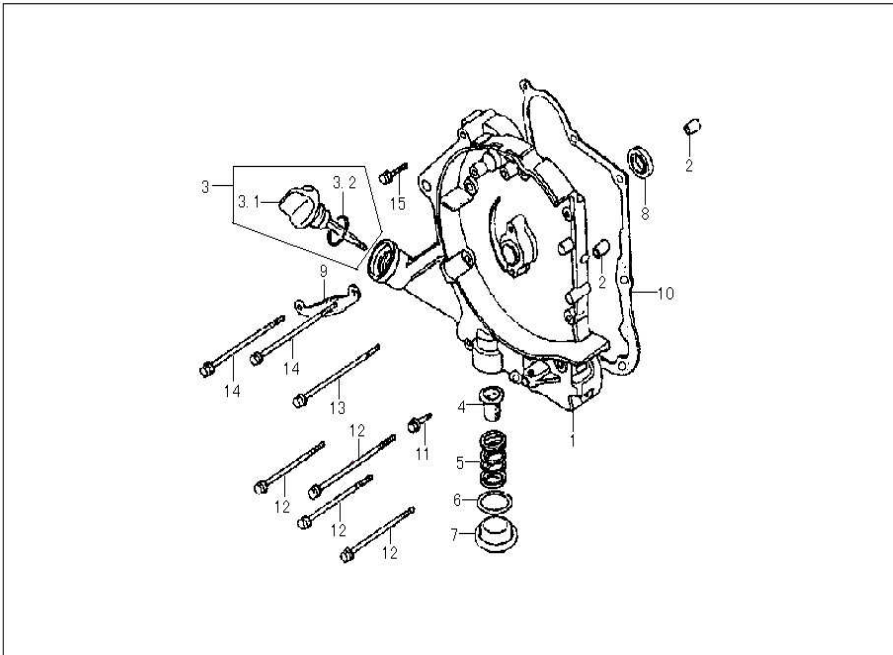
曲轴
•
活塞



PAGE NO.	Component and Part NO.	English Name	Quantity
F7/1	107100-152QMI-0000	Crankcase rob assy.	1
F7/2	107001-152QMI-0000	Woodruff key	1
F7/3	107201-152QMI-0000	Piston	1
F7/3.1	GB/T895.1-15	Clip,piston pin	2
F7/3.2	107202-152QMI-0000	Piston pin	1
F7/4	107210-152QMI-0000	Piston ring assy.	1
F7/4.1	107203-152QMI-0000	First piston ring	1
F7/4.2	107204-152QMI-0000	Second piston ring	1

F8 Right crankcase cover

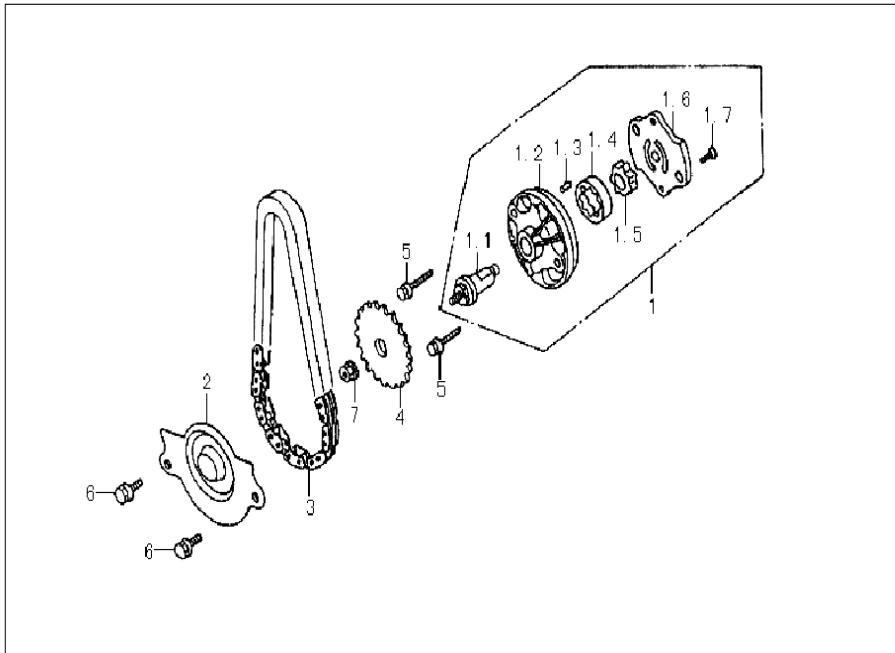
右曲轴箱盖



PAGE NO.	Component and Part NO.	English Name	Quantity
F8/1	106110-152QMI-0000	R.Crankcase cover assy.	1
F8/2	103002-152QMI-0000	Dowel Pin	2
F8/3	106101-152QMI-0000	Engine oil gauge assy.	1
F8/3.1	106101-152QMI-0000	Engine oil gauge	1
F8/3.2	GB/T3452.1-18x3	O ring, Engine oil gauge 18x3	1
F8/4	106210-152QMI-0000	Oil filter assy.	1
F8/5	106202-152QMI-0000	Oil filter spring	1
F8/6	GB/T3452.1-30.8x3	O ring, engine oil filter cap 30.8x3	1
F8/7	106201-152QMI-0000	Oil filter cap	1
F8/8	GB13871-20x30x5	R. oil seal, crankcase20x30x5	1
F8/9	106103-152QMI-0000	Clip A.C.G.	1
F8/10	106001-152QMI-0000	R. crankcase cover washer	1
F8/11	GB5787-M6x32	Bolt M6x32	1
F8/12	GB5787-M6x95	Bolt M6x95	4
F8/13	GB5787-M6x100	Bolt M6x100	1
F8/14	GB5787-M6x110	Bolt M6x110	2
F8/15	GB5787-M6x35	Bolt M6x35	1

F9 Oil pump

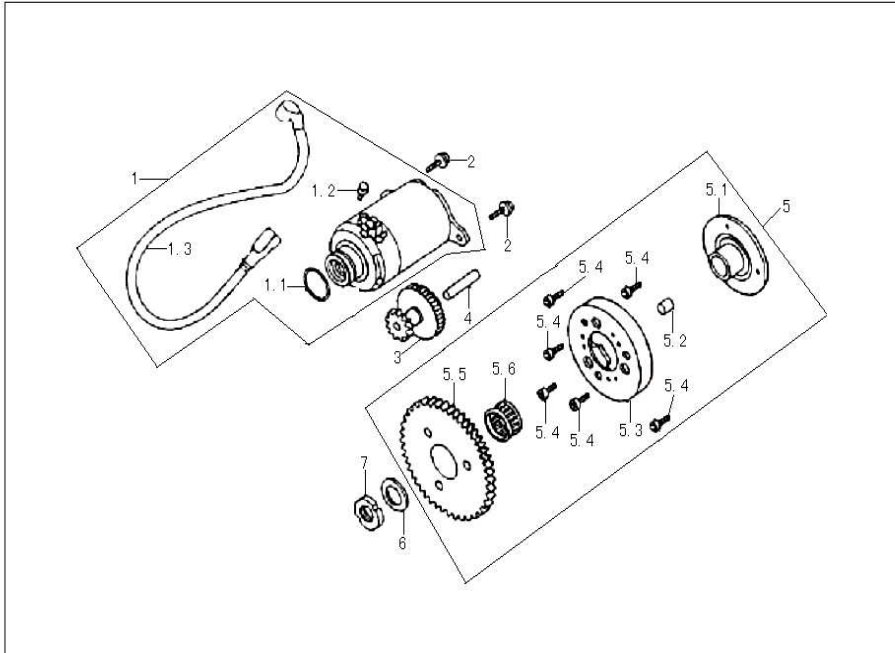
机
油
泵



PAGE NO.	Component and Part NO.	English Name	Quantity
F9/1	108120-152QMI-0000	Engine oil pump assy.	1
F9/1.1	108125-152QMI-0000	Oil pump shaft	1
F9/1.2	08121-152QMI-0000	Oil pump body	1
F9/1.3	GB119.1-2000-4x6	Dowel pin 4x6	1
F9/1.4	108123-152QMI-0000	Outer rotor,oil pump	1
F9/1.5	108124-152QMI-0000	Inner rotor,oil pump	1
F9/1.6	108122-152QMI-0000	Plate	1
F9/1.7	GB818-M3x6.5	Screw M3x6.5	1
F9/2	108002-152QMI-0000	Engline oil divide plate	1
F9/3	108003-152QMI-0000	Engine oil pump drive chain	1
F9/4	108110-152QMI-0000	Engine oil pump driven sprocket	1
F9/5	GB819-M6x30	Bolt M6x30	2
F9/6	GB5787-M6x12	Bolt M6x12	2
F9/7	GB6177-M6	Nut M6	1

F10 Starting motor

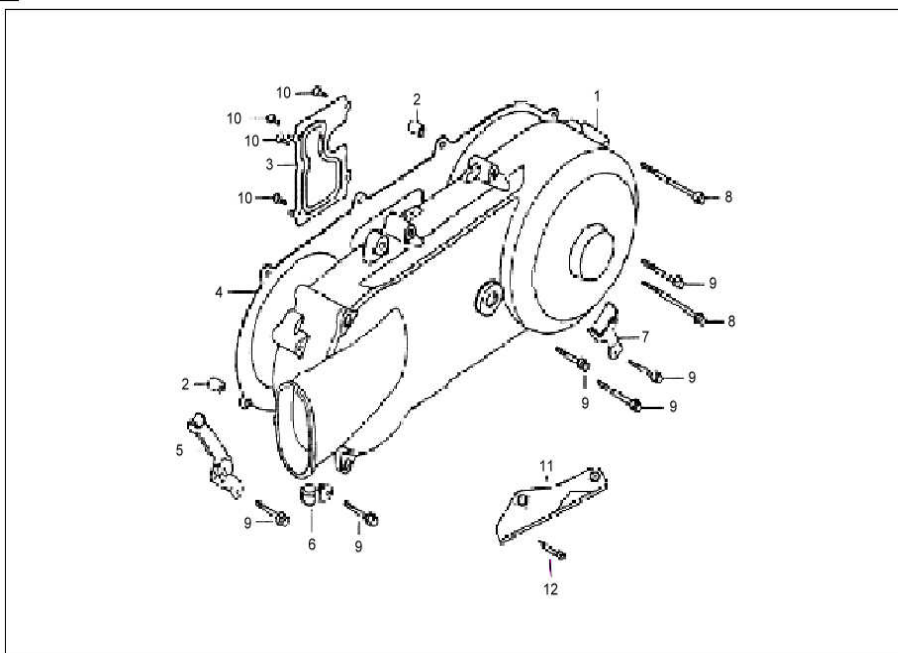
启动电机



PAGE NO.	Component and Part NO.	English Name	Quantity
F10/1	109111-152QMI-0000	Start motor assy.	1
F10/1.1	GB/T3452.1-24.4x3.1	O-ring 24.4x3.1	1
F10/1.2	GB 5783-5x8	Bolt M5x8	1
F10/1.3	109112-152QMI-0000	Starting motor cable	1
F10/2	GB5787-M6x16	Bolt M6x16	2
F10/3	109001-152QMI-0000	Electric starter slowdown gear	1
F10/4	109121-152QMI-0000	Electric starter gear shaft	1
F10/5	109200-152QMI-0000	Overdreiv clutch assy.	1
F10/5.1	109226-152QMI-0000	Flange,starting clutch	1
F10/5.2	109227-152QMI-0000	Roller	1
F10/5.3	109222-152QMI-0000	Outer comp.,starting clutch	1
F10/5.4	GB/T70-M4x12	Bolt M4x12	6
F10/5.5	109211-152QMI-0000	Gear comp.,starting clutch	1
F10/5.6	109214-152QMI-0000	Needle bearing	1
F10/6	GB/T1230-22.6x31x2.5	Washer 22.6x31x2.5	1
F10/7	109004-152QMI-0000	Nut M22	1

F11 **Left crankcase cover**

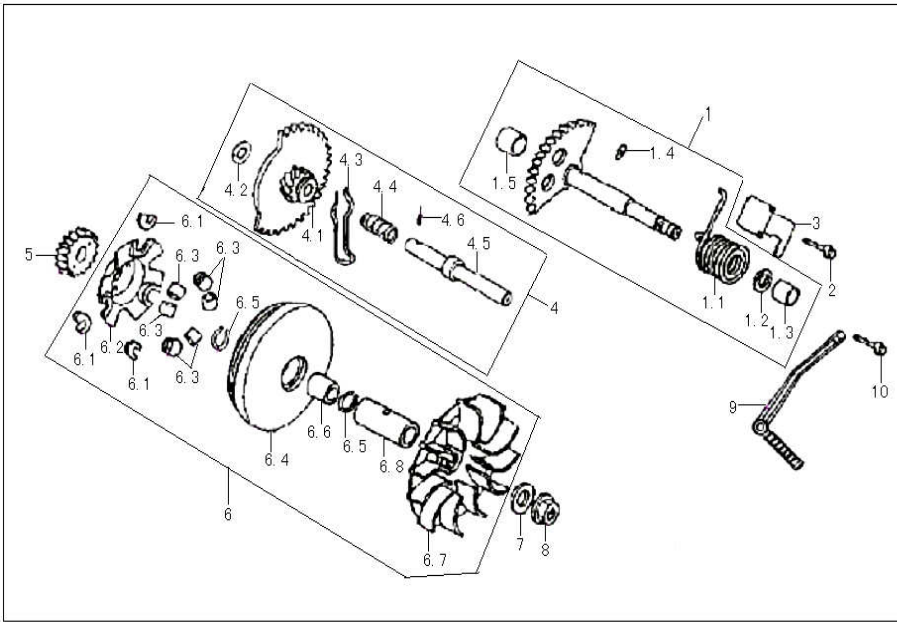
左曲轴箱盖



PAGE NO.	Component and Part NO.	English Name	Quantity
F11/1	103101-152QMI-0100	L.Crankcase cover(lengthen)	1
F11/2	103002-152QMI-0000	Dowel pin	2
F11/3	103106-152QMI-0000	Air space plate	1
F11/4	103001-152QMI-0100	L. crankcase cover washer	1
F11/5	103004-152QMI-0000	Clip assy.	1
F11/6	119002-152QMI-0000	Overflow oil tube clip	1
F11/7	103003-152QMI-0000	Rear brake link clip	1
F11/8	GB5787-M6×65	Bolt M6×65	2
F11/9	GB5787-M6×40	Bolt M6×40	8
F11/10	GB818-M4×8	Screw M4×8	4
F11/11	103006-152QMI-0000	Guard plate	1
F11/12	GB5787-M6×14	Bolt M6×14	1

F12 Drive pulley

驱动皮带轮

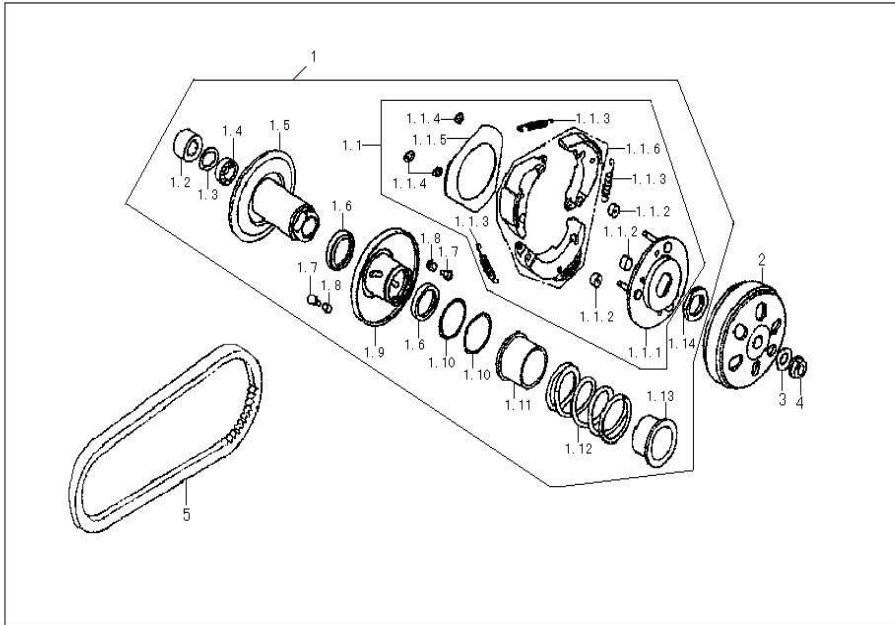


PAGE NO.	Component and Part NO.	English Name	Quantity
F12/1	110210-152QMI-0000	Kick starter assy.	1
F12/1.1	110214-152QMI-0000	Spring,kick starter	1
F12/1.2	110216-152QMI-0000	Washer 14	1
F12/1.3	110213-152QMI-0000	Bush,kick spindle	1
F12/2	GB5787-M6×14	Bolt M6×14	1
F12/3	110203-152QMI-0000	Kick starter return stop plate	1
F12/1.4	11021D-152QMI-0000	Pin 4.5	1
F12/1.5	110215-152QMI-0000	Bush	1
F12/4	110230-152QMI-0000	Kick starter idle gear assy.	1
F12/4.1	110235-152QMI-0000	Kick starter idle gear assy.	1
F12/4.2	GB/T97.1-Φ12.5	Washer Φ12.5	1
F12/4.3	110231-152QMI-0000	Spring	1
F12/4.4	110232-152QMI-0000	Spring,driver shaft	1
F12/4.5	110233-152QMI-0000	Driver shaft,start idler	1
F12/4.6	110234-152QMI-0000	Roller 3*8.5	1
F12/5	110204-152QMI-0000	Starter driven wheel	1
F12/6	114100-152QMI-0000	Driver pulley assy.	1
F12/6.1	114103-152QMI-0000	block	3
F12/6.2	114101-152QMI-0000	Plate	1
F12/6.3	114120-152QMI-0000	Roller set	6
F12/6.4	114110-152QMI-0000	Right comp.,driver	1
F12/6.5	114113-152QMI-0000	Clip	2
F12/6.6	114112-152QMI-0000	Collar	1
F12/6.7	114104-152QMI-0000	Left,driver	1
F12/6.8	114102-152QMI-0000	Collar bush	1
F12/7	GB/T1230-12.4×25×2	Washer 12.4×25×2	1
F12/8	GB/T6177.1-M12×1.25	Nut M12×1.25	1
F12/9	110310-152QMI-0000	Kick starter pole assy.	1

F12/10	GB5783-M6x22	Bolt M6x22	1
---------------	---------------------	-------------------	----------

F13 Driven pulley assy.

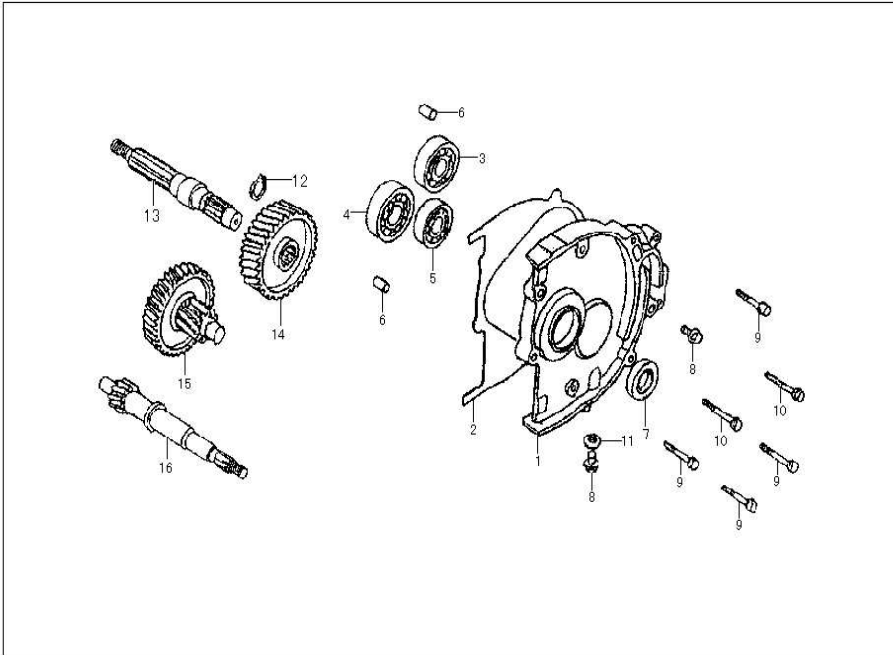
从动皮带轮组



PAGE NO.	Component and Part NO.	English Name	Quantity
F13/1	114200-152QMI-0000	Driven pulley assy.	1
F13/1.1	114230-152QMI-0000	Plate assy.,driver	1
F13/1.1.1	114241-152QMI-0000	Plate,driver	1
F13/1.1.2	114232-152QMI-0000	Rubber,clutch	3
F13/1.1.3	114233-152QMI-0000	Spring,clutch	3
F13/1.1.4	GB896-92-5	Circlip 5	3
F13/1.1.5	114111-152QMI-0000	Side plate,clutch	1
F13/1.1.6	114250-152QMI-0000	Weight set,clutch	1
F13/1.2	114204-152QMI-0000	Needle bearing 20*29*18	2
F13/1.3	114113-152QMI-0000	Circlip 5	1
F13/1.4	GB276-94	Bearing	1
F13/1.5	114211-152QMI-0000	Right comp.,driven	1
F13/1.6	114203-152QMI-0000	Seal 34*41*4	1
F13/1.7	114243-152QMI-0000	Guiding pin	3
F13/1.8	114242-152QMI-0000	Roller	3
F13/1.9	114202-152QMI-0000	Belt plate,driven	1
F13/1.10	GB/T3452.1	O-ring	1
F13/1.11	114212-152QMI-0000	Collar,seal	1
F13/1.12	114201-152QMI-0000	Spring,driver	1
F13/1.13	114112-152QMI-0000	Collar	1
F13/1.14	114205-152QMI-0000	Nut M28	1
F13/2	114300-152QMI-0000	Outer plat,clutch	2
F13/3	GB/T1230-12.4x25x2	Washer 12	1
F13/4	GB/T6177.1-M12	Nut M12	1
F13/5	114001-152QMI-0100	V-belt	1

F14 Transmission

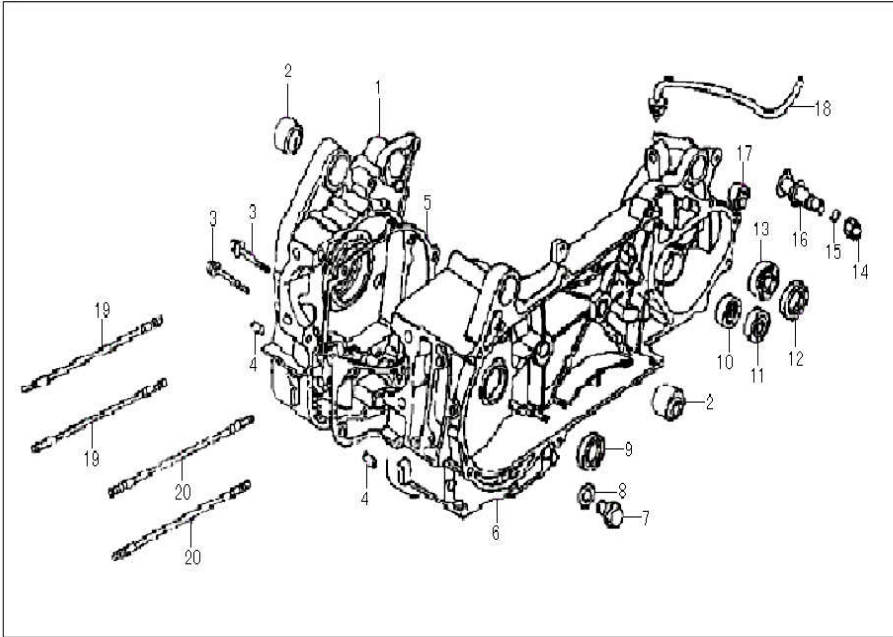
传动系



PAGE NO.	Component and Part NO.	English Name	Quantity
F14/1	115009-152QMI-0000	Rear wheel box cover.	1
F14/2	115005-152QMI-0000	Rear wheel box washer	1
F14/3	GB276-6203	Bearing 6203	1
F14/4	GB276-6204	Bearing 6204	1
F14/5	GB276-6202	Bearing 6202	1
F14/6	103002-152QMI-0000	Dowel pin	2
F14/7	GB13871-20x32x6	Oil seal, Input gear20x32x6	1
F14/8	GB/T5789-M8x12	Bolt M8x12	2
F14/9	GB5787-M6x28	Bolt M6x28	3
F14/10	GB5787-M6x35	Bolt M6x35	3
F14/11	GB/T97.1-8.4x16x1.5	Washer 8.4x16x1.5	2
F14/12	GB/T894.1-19x1.1	Circlip 19x1.1	1
F14/13	115002-152QMI-0200	Output shaft	1
F14/14	115003-152QMI-0000	Output spline shaft	1
F14/15	115010-152QMI-0000	Middle gear shaft assy.	1
F14/16	115001-152QMI-0000	Input shaft	1

F15 Crankcase

曲轴箱

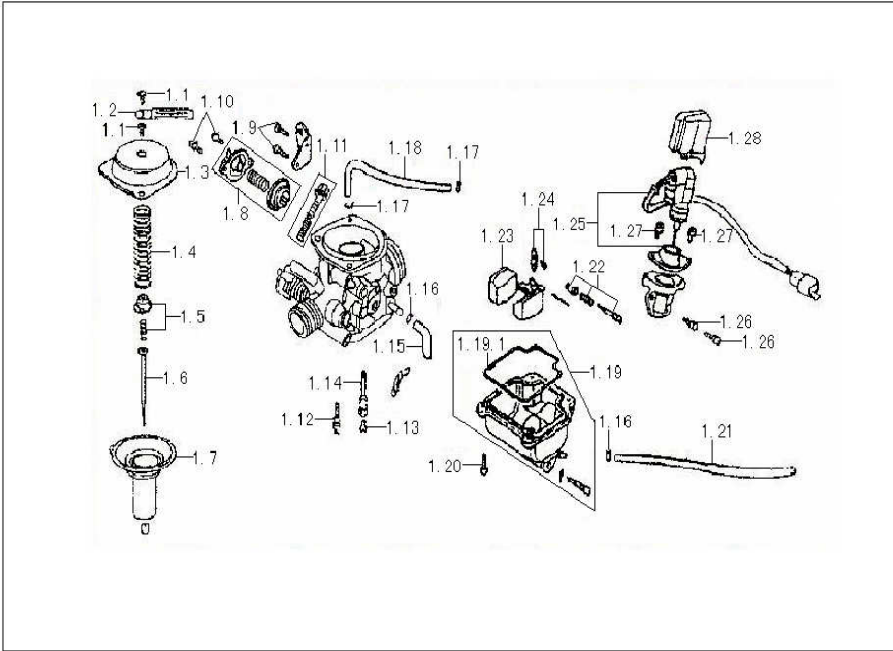


PAGE NO.	Component and Part NO.	English Name	Quantity
F15/1	105110-152QMI-0000	R.Crankcase assy	1
F15/2	104120-152QMI-0000	Front crutch bush assy.	2
F15/3	GB5787-M6x50	Bolt M6x50	2
F15/4	103002-152QMI-0000	Dowel pin	2
F15/5	104002-152QMI-0000	Crankcase washer	1
F15/6	104110-152QMI-0200	L.Crankcase assy(lengthen)	1
F15/7	104004-152QMI-0000	Drain plug	1
F15/8	104005-152QMI-0000	Washer 12	1
F15/9	GB13871-19.8x30x5	L. oil seal, crankcase19.8x30x5	1
F15/10	GB13871-27x42x7	Oil seal, output shaft 27x42x7	1
F15/11	GB276-6002	Bearing 6002	1
F15/12	GB276-6301/P6	Bearing 6301	1
F15/13	GB276-6004-2RS	Bearing 6004	1
F15/14	GB/T699-M8	Nut M8	1
F15/15	GB/T3452.1-7.5x1.5	O ring, brake shoe fixing shaft 7.5x1.5	1
F15/16	115102-152QMI-0000	Brake shoe fixing shaft	1
F15/17	104130-152QMI-0000	Rear crutch bush assy.	1
F15/18	172005-152QMI-0000	Air tube assy.(short)	1
F15/19	105001-152QMI-0000	2-stud bolt M8x187	2
F15/20	104001-152QMI-0000	2-stud bolt M8x195	2

F16

Carburetor

化油器

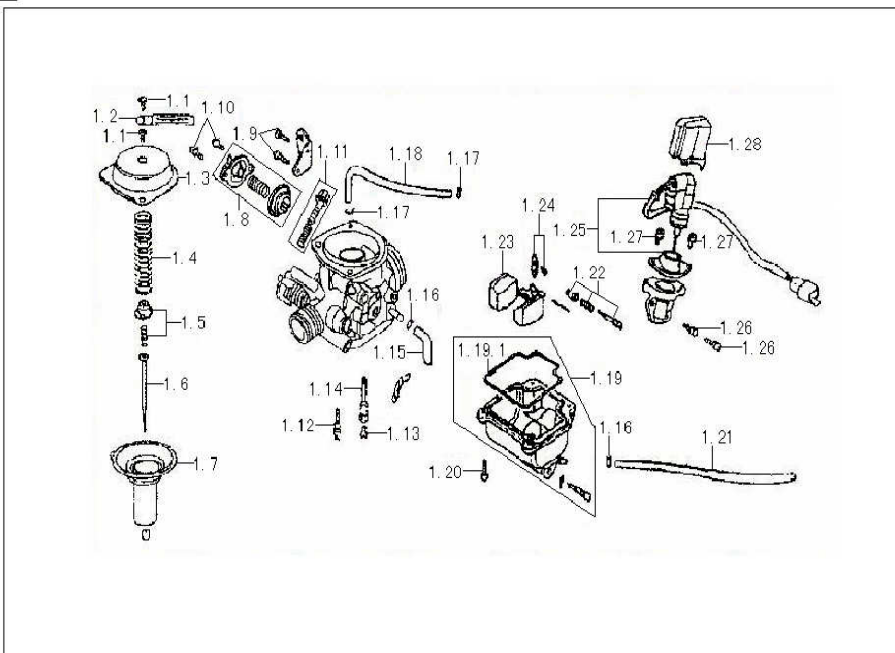


PAGE NO.	Component and Part NO.	English Name	Quantity
F16/1	160000-152QMI-0000	Carburetor assy.	1
F16/1.1	GB/T 818-M4x8	Screw M4x8	2
F16/1.2	160101-152QMI-0000	Plate clip	1
F16/1.3	160102-152QMI-0000	Cap,vacuum piston valve	1
F16/1.4	160103-152QMI-0000	Spring	1
F16/1.5	160104-152QMI-0000	Plate set	1
F16/1.6	160200-152QMI-0000	Oil needle	1
F16/1.7	160105-152QMI-0000	Vacuum piston valve	1
F16/1.8	160300-152QMI-0000	Air block valve	1
F16/1.9	GB/T 818-M5x12	Screw M5x12	2
F16/1.10	GB/T 818-M4x10	Screw M4x10	2
F16/1.11	160900-152QMI-0000	Screw set A	1
F16/1.12	160001-152QMI-0000	Injecting nozzle 35#	1
F16/1.13	160002-152QMI-0000	Main injecting nozzle 112#	1
F16/1.14	160003-152QMI-0000	Base,oil needle	1
F16/1.15	160004-152QMI-0000	Air tube	1
F16/1.16	160005-152QMI-0000	Tube clip	2
F16/1.17	160006-152QMI-0000	Tube	2
F16/1.18	160007-152QMI-0000	Rubber tube 3.5x210	1
F16/1.19	160500-152QMI-0000	Float chamber	1
F16/1.19.1	160400-152QMI-0000	Gasket	1
F16/1.20	GB/T 818-M4x14	Screw M4x14	1
F16/1.21	160008-152QMI-0000	Overflow tube	1
F16/1.22	160600-152QMI-0000	Screw set B	1

F16

Carburetor

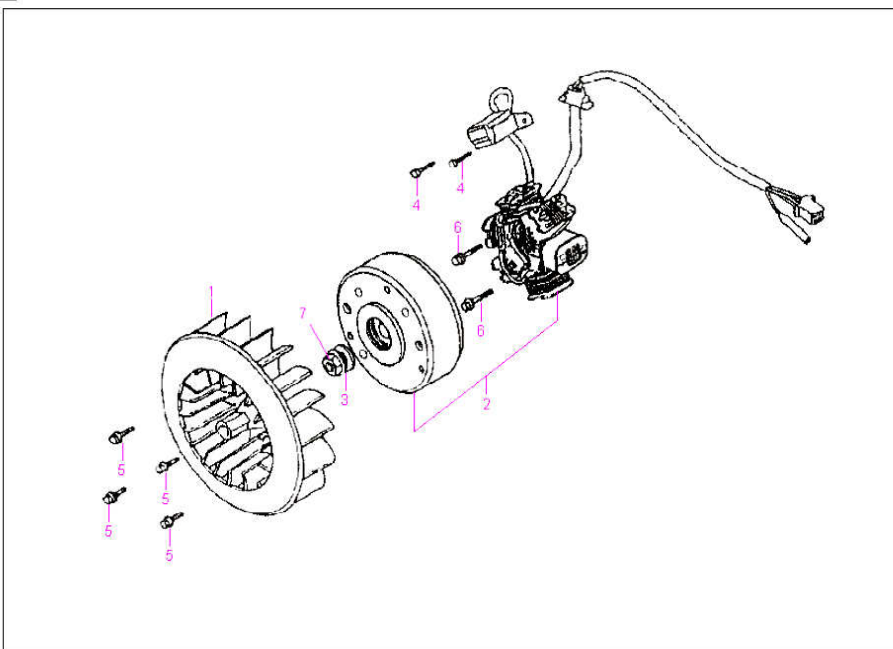
化油器



PAGE NO.	Component and Part NO.	English Name	Quantity
F16/1.23	160700-152QMI-0000	Float canister assy	1
F16/1.24	160009-152QMI-0000	Float canister valve	1
F16/1.25	160800-152QMI-0000	Starting valve set	1
F16/1.26	GB/T 818-M5×12	Screw M5*×12	2
F16/1.27	GB/T 818-1985-M4×8	Screw M4×8	2
F16/1.28	160801-152QMI-0000	Cap,starting valve	1

F17 Magneto

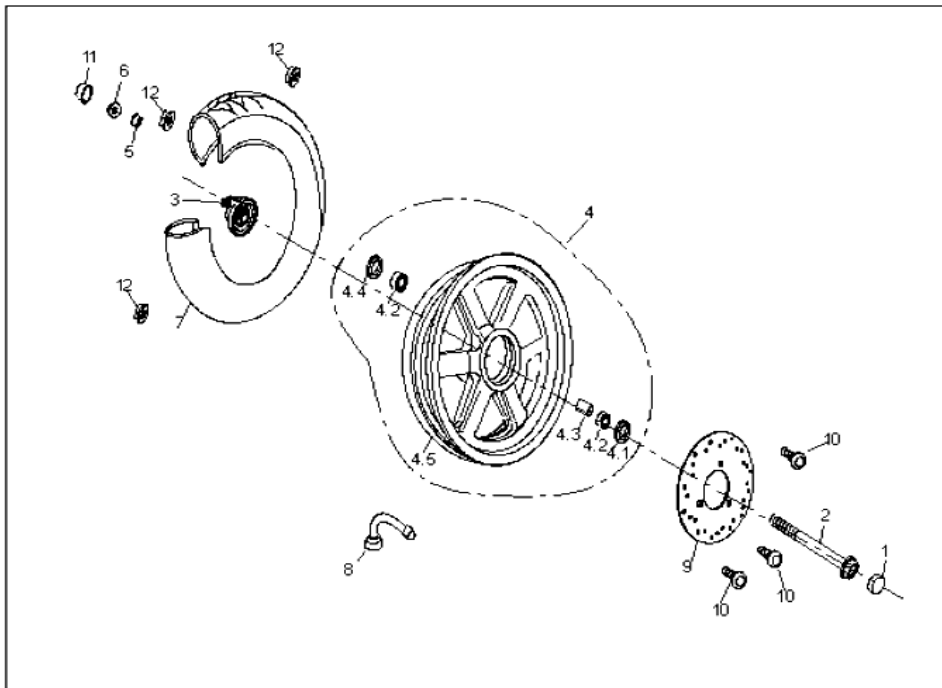
磁电机



PAGE NO.	Component and Part NO.	English Name	Quantity
F17/1	119050-152QMI-0000	Cooler fan assy.	1
F17/2	111000-152QMI-0000	Generator assy.	1
F17/3	GB/T1230-12.4x25x2	Washer12.4x25x2	1
F17/4	GB5783-M5x12	Bolt M5x12	2
F17/5	GB5787-M6x16	Bolt M6x16	4
F17/6	GB5787-M6x25	Bolt M6x25	2
F17/7	GB6177.1-M12	Nut M12	1

F18 Front Wheel

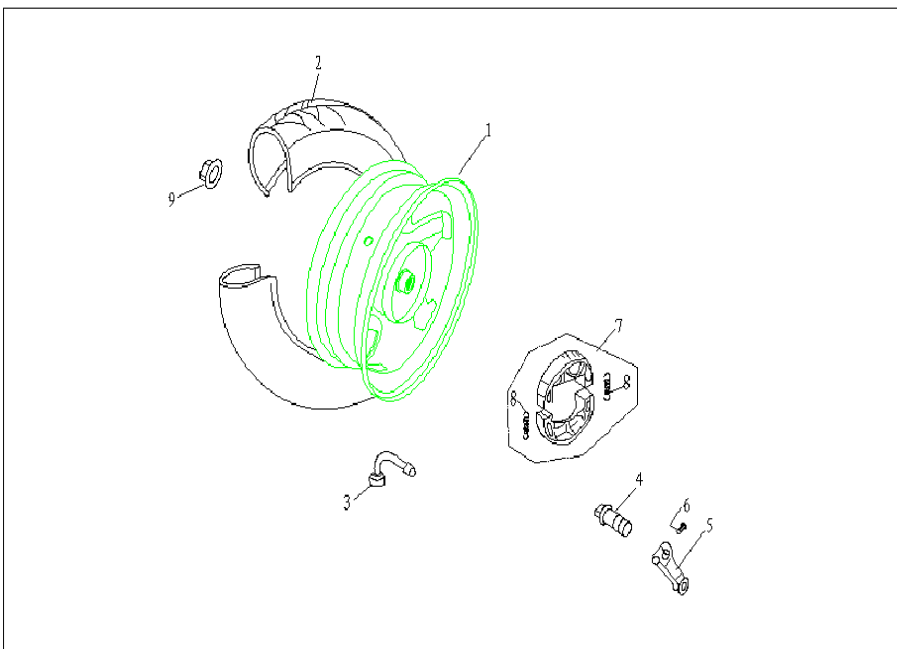
前轮



PAGE NO.	Component and Part NO.	English Name	Quantity
F18/1	401005-TA9-0000	L. rubber cap, Fr.wheel	1
F18/2	401003-TAC-0000	Front wheel axle	1
F18/3	401200-TAC-0000	Counter assy.	1
F18/4.1	YF50*40*5	Dust seal,front wheel	1
F18/4.2	GB/T278	Bearing 6201	2
F18/4.3	401101-TAC-0000	Central bush	1
F18/4.4	YF37*23*7	Dust seal	1
F18/5	401001-TAC-0000	Right bush	1
F18/6	GB/T6187-M12*1.25	Nut M12*1.25	1
F18/7	GB/T2983-W-120/70-12	Tyre 120/70-12	1
F18/4.5	GB2983-MT3.5*J12	Front rim MT3.5*J12	1
F18/8	401110-TAC-0000	Valve(120/70-12 tyre)	1
F18/4	401100-TJC-0100	Fr. wheel rim	1
F18/9	404001-TAC-0000	Brake disc	1
F18/10	404002-TAC-0000	Bolt	3
F18/11	401006-TA9-0000	R. rubber cap, Fr.wheel	1
F18/12	GB/T 6187-M8	Nut M10*1.25	3

F19 Rear wheel - Drum brake

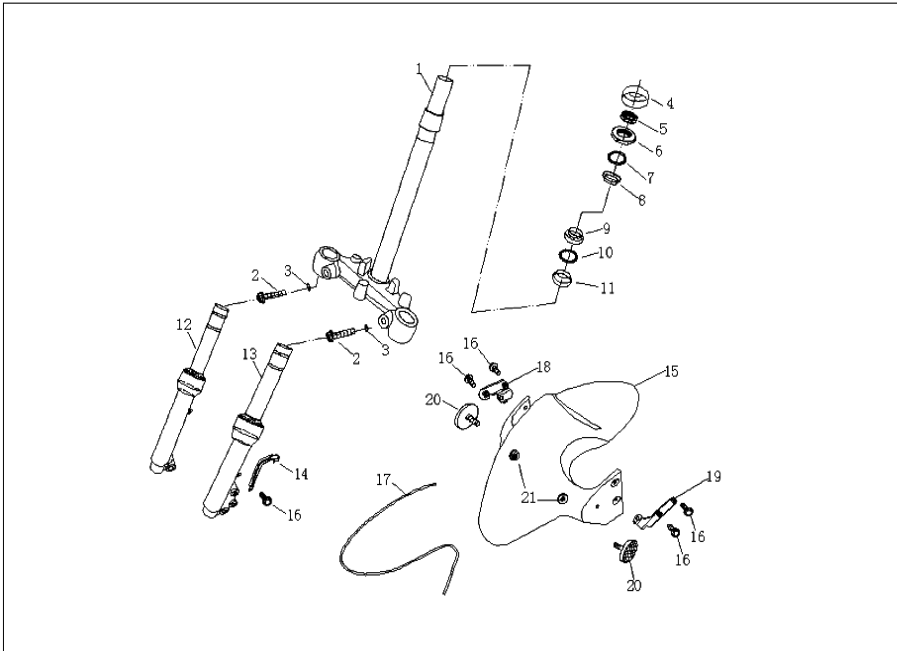
后轮
—
鼓刹



PAGE NO.	Component and Part NO.	English Name	Quantity
F19/1	402110-TJC-0100	Rear rim MT3.5*J12	1
F19/2	GB/T2983-W-130/70-12	Tyre 130/70-12	1
F19/3	402120-TA9-0000	Valve(130/70-12 tyre)	1
F19/4	115007-152QMI-0000	Rear brake cam	1
F19/5	115020-152QMI-0000	Rear brake arm assy.	1
F19/6	GB/T5789-M6*30	Bolt M6*30	1
F19/7	405100-TAC-0000	Brake shoe assy.	1
F19/8	405101-TAC-0000	Rear brake shoe spring	2
F19/9	GB/T6187-M16*1.5	Nut M16*1.5	1

F20 Front fork

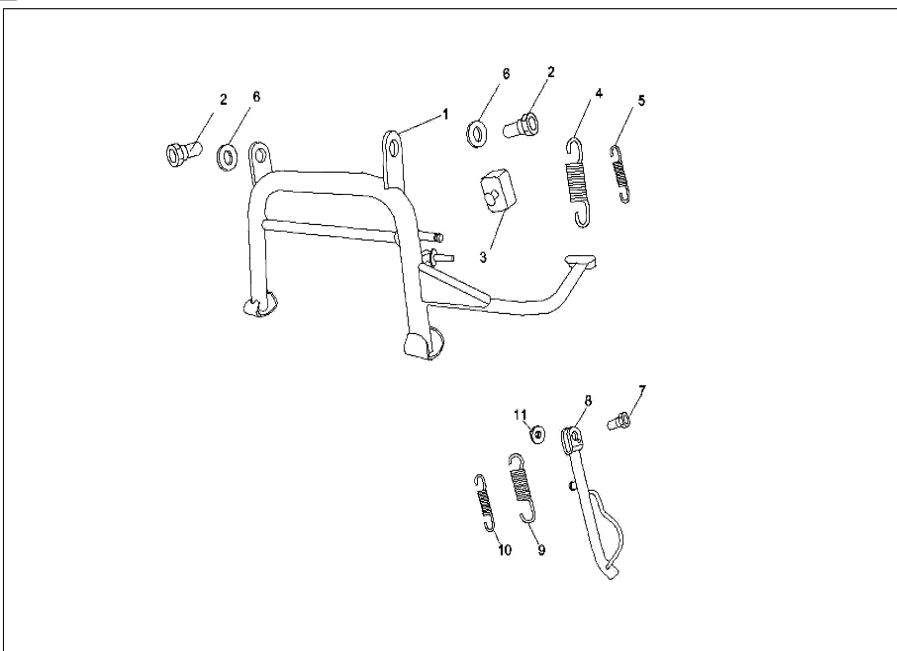
前叉



PAGE NO.	Component and Part NO.	English Name	Quantity
F20/1	504110-TJCE-0000	Steering column welding assy.	1
F20/2	GB/T 5789-M10*50	Bolt M10*50	2
F20/3	504301-TAC-0000	Spring washer	2
F20/4	50450A-TAC-0000	Dust seal	1
F20/5	504501-TAC-0000	Lock nut	1
F20/6	504502-TAC-0000	Upper bearing top	1
F20/7	504510-TAC-0000	Upper ball assy.	1
F20/8	504503-TAC-0000	Bottom bearing cup	1
F20/9	504504-TAC-0000	Bottom bearing cup	1
F20/10	504510-TAC-0000	Bottom ball assy.	1
F20/11	504505-TAC-0000	Bottom bearing top	1
F20/12	504300-TJCE-0000	Front shock absorber,right	1
F20/13	504400-TJCE-0000	Front shock absorber,left	1
F20/14	404003-TAC-0000	Clip	1
F20/15	604105-TACE-0001	Front fender	1
F20/16	GB/T 5789-M6*16	Bolt M6*16	5
F20/17	604103-TAC-0000	Rubber strip,front fender	1
F20/18	501830-TACB-0000	Right bracket welding assy.,front fender	1
F20/19	501820-TACB-0000	Left bracket ,front fender	1
F20/20	325100-TA9-0000	Side reflector	2
F20/21	GB/T6177-M6	Nut M6	2

F21 Center stand & Side stand

主
支
架
·
侧
支
架

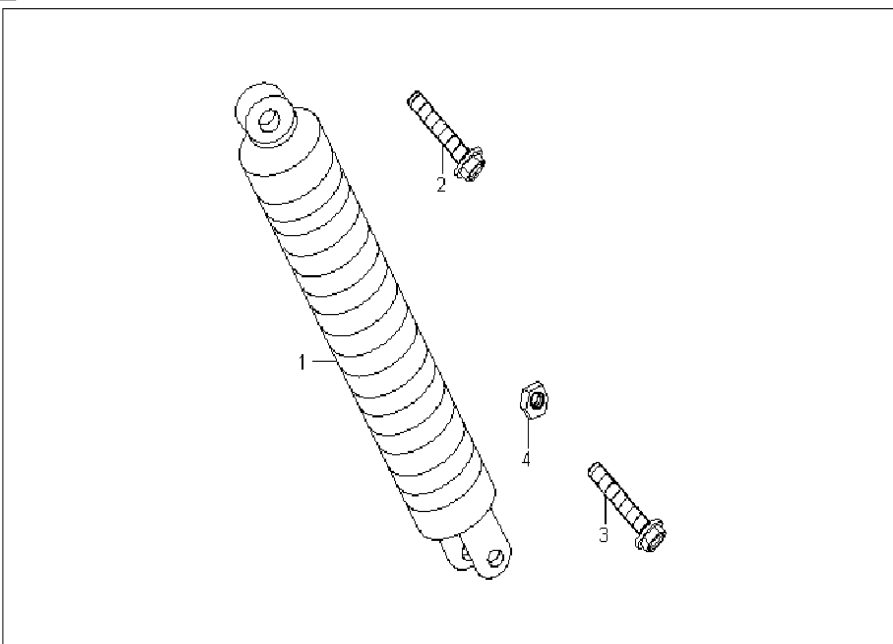


PAGE NO.	Component and Part NO.	English Name	Quantity
F21/1	501210-TJCE-0000	Main stand assy.	1
F21/2	501207-TA9-0000	Bolt,main stand	2
F21/3	501202-TJC-0000	Rubber,main stand	1
F21/4	501220-TJC-0000	Spring ,main stand	1
F21/5	GB/T6187-M8x1.25	Nut M8x1.25	1
F21/6	GB/T 97.1-Φ8	WasherΦ8	1
F21/7	501301-TAC-0000	Bolt,side stand	1
F21/8	501310-TJCE-0000	Side stand assy.	1
F21/9	501321-TAC-0000	Spring A,side stand	1
F21/10	501322-TAC-0000	Spring B,side stand	1

F22

Rear shock absorber

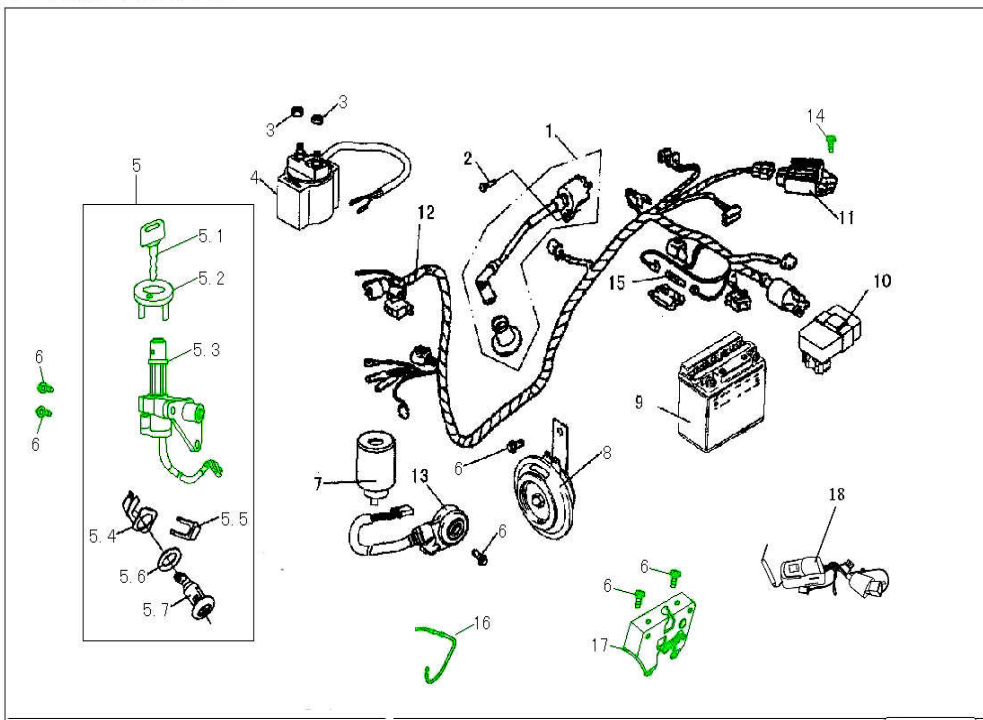
后
减
震
器



PAGE NO.	Component and Part NO.	English Name	Quantity
F22/1	521100-TJCE-0000	Rear shock absorber	2
F22/2	GB/T 5789-M10*1.25*40	Bolt M10*1.25*40	2
F22/3	GB/T 5789-M8*35	Bolt M8*35	2
F22/4	GB/T 6177-M8	Nut M8	2

F23 Wire Harness

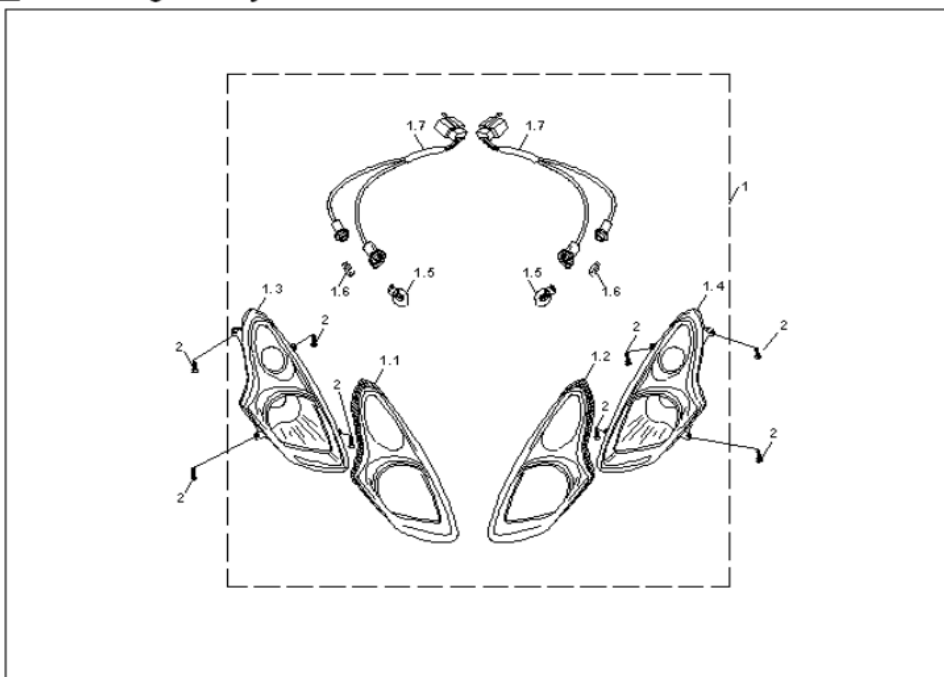
主
电
缆



PAGE NO.	Component and Part NO.	English Name	Quantity
F23/1	301200-152QMI-0000	Ignition coil	1
F23/2	GB/T 818-M5*16	Screw M5*16	1
F23/3	GB/T 6177-M6	Nut M6	2
F23/4	301400-152QMI-0000	Start relay	1
F23/5	350000-TAC-0000	Lock assy.	1
F23/5.1	350120-TAC-0000	Key	1
F23/5.2	601121-TAC-0000	Ignition switch lock cover	1
F23/5.3	350110-TAC-0000	Ignition switch lock	1
F23/17	350420-TAC-0000	Seat lock	1
F23/6	GB/T 5789-M6*16	Bolt M6*16	6
F23/7	308500-TA9-0000	Flasher	1
F23/8	302000-TA9-0000	Horn	1
F23/9	305100-TJCE-0100	Battery	1
F23/10	301100-152QMI-0000	Electric ignition assy.	1
F23/11	301300-152QMI-0000	Rectifier	1
F23/12	304100-TJCE-0000	Wiring assy.	1
F23/13	330600-TA9-0000	Off switch assy.	1
F23/14	GB/T 5789-M6*12	Bolt M6*12	1
F23/15	304110-TAC-0000	Fuse	1
F23/16	540900-TAC-0000	Cable,seat lock	1
F23/5.4	350401-TAC-0000	Spring Seat Lock	1
F23/5.2	350402-TAC-0000	Cushion Lock Assembling Frame	1
F23/5.6	350403-TAC-0000	Rubber Ring	1
F23/5.7	350410-TAC-0000	Cushion Lock Assy	1
F23/18	350410-TA9-0000	Guard against theft assy.	1

F24 Head Light Assy.

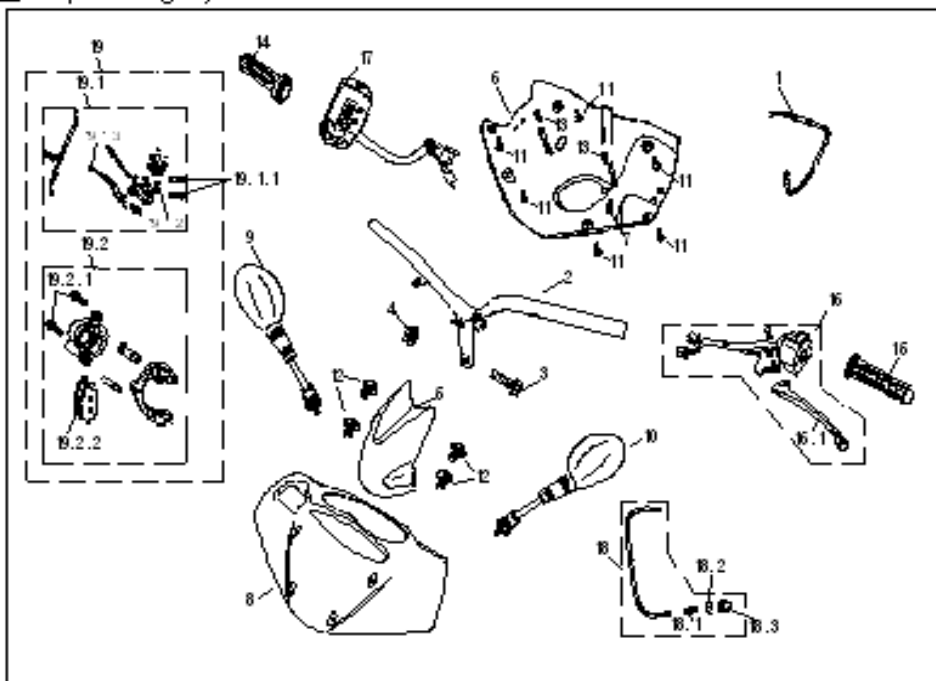
前
照
灯



PAGE NO.	Component and Part NO.	English Name	Quantity
F24/1	320100-TJCE-0000	Head light assy.	1
F24/1.1	320131-TACE-0000	Head light lampshade(Left)	1
F24/1.2	320131-TACE-0000	Head light lampshade(Right)	1
F24/1.3	320140-TACE-0000	Head light base(Left)	1
F24/1.4	320140-TACE-0000	Head light base(Right)	1
F24/1.5	320110-TJCE-0000	Head light bulb	1
F24/1.6	320510-TJCE-0000	Position light bulb	1
F24/1.7	320150-TJCE-0000	Head light cable	1
F24/2	GB/T845-ST4.2*13	Screw tapping ST4.2*13	8

F25 Operating System

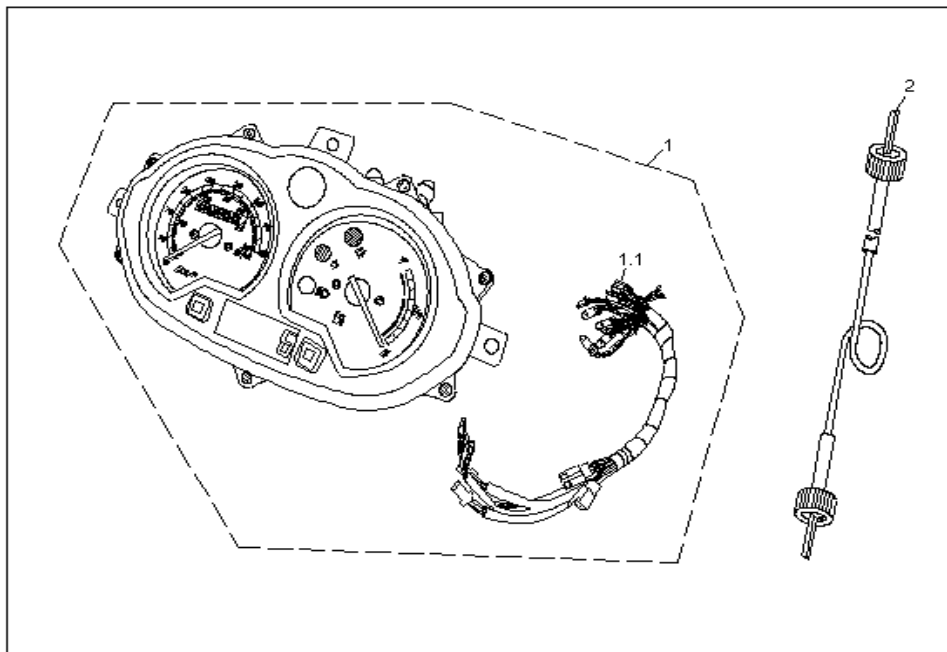
操纵系统



PAGE NO.	Component and Part NO.	English Name	Quantity
F25/19.1.2	404101-TAC-0000	Master cylinder stator	1
F25/19.1.3	530201-TJCE-0000	Front brake lever	1
F25/19.2	404200-TAC-0000	Caliper assy. (fr.)	1
F25/19.2.1	GB/T5789-M8*30	Bolt M8*30	1
F25/19.2.2	403100-TAC-0000	Brake shoe assy. (fr.)	1
F25/16.1	530101-TAC-0000	Rear brake lever	2

F26 Meter

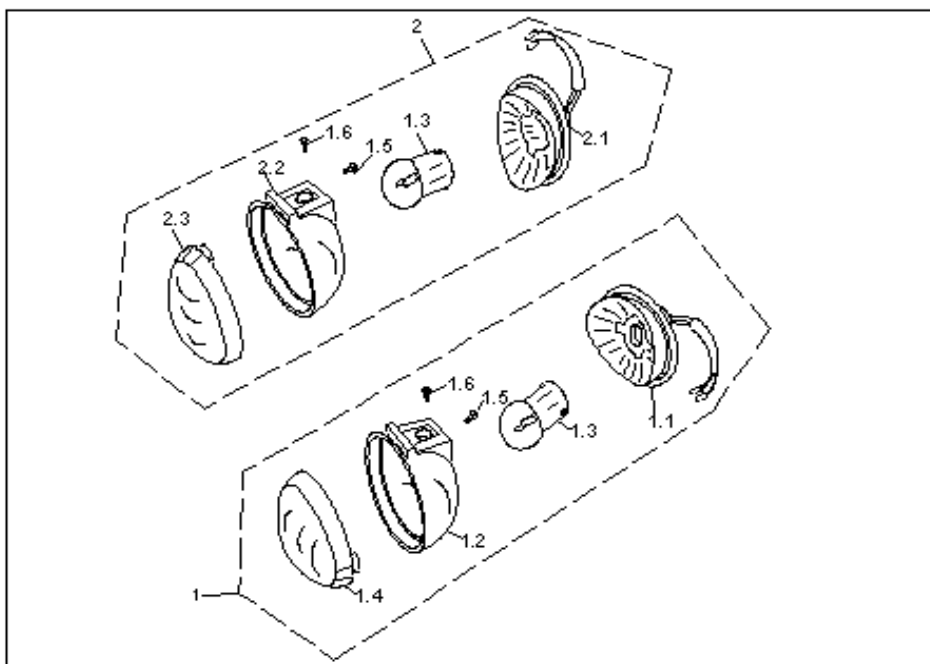
仪
表



PAGE NO.	Component and Part NO.	English Name	Quantity
F26/1	340200-TJCE-0000	Meter assy.	1
F26/2	540C00-TACB-0000	Odometer cable	1
F26/1.1	340220-TJCE-0000	Meter cable	1

F27 Front Turning Light

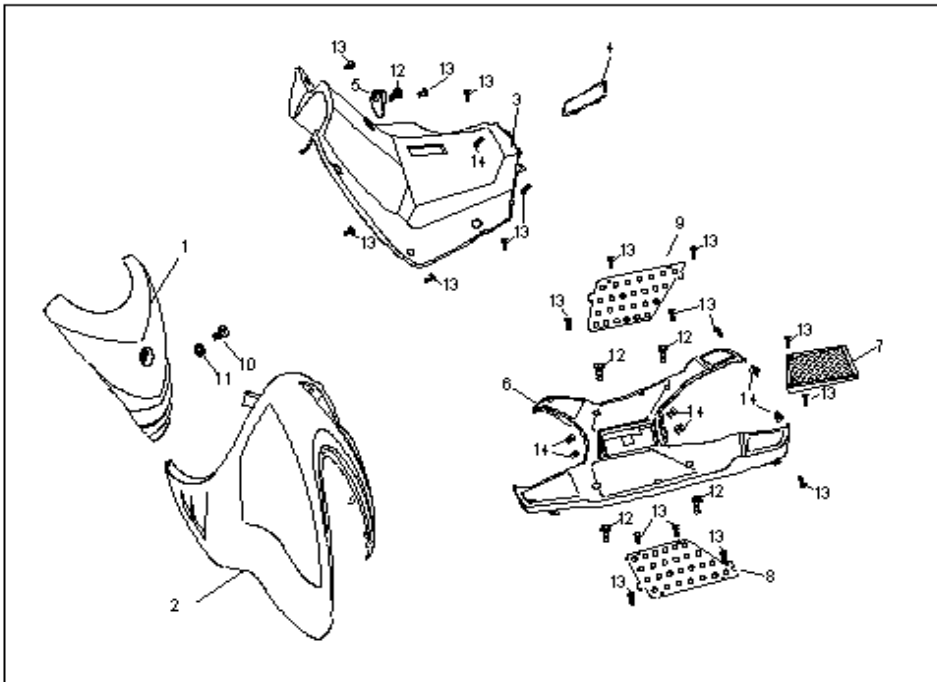
前
转
向
灯



PAGE NO.	Component and Part NO.	English Name	Quantity
F27/1	322100-TACE-0000	Fr. turning light L.	1
F27/2	322200-TACE-0000	Fr. turning light R.	1
F27/1.1	322140-TACE-0000	Front turning light base (left)	1
F27/1.2	322120-TACE-0000	Front turning light socket(left)	1
F27/1.3	322110-TACE-0000	Front turning light bulb	2
F27/1.4	322131-TACE-0000	Front turning light lampshade(left)	1
F27/1.5	GB/T845-ST3.9x16	Screw tapping ST3.9x16	2
F27/1.6	GB/T818-M5x12	Bolt M5x12	2
F27/2.1	322140-TACE-0000	Front turning light base (right)	1
F27/2.2	322120-TACE-0000	Front turning light socket(right)	1
F27/2.3	322131-TACE-0000	Front turning light lampshade(right)	1

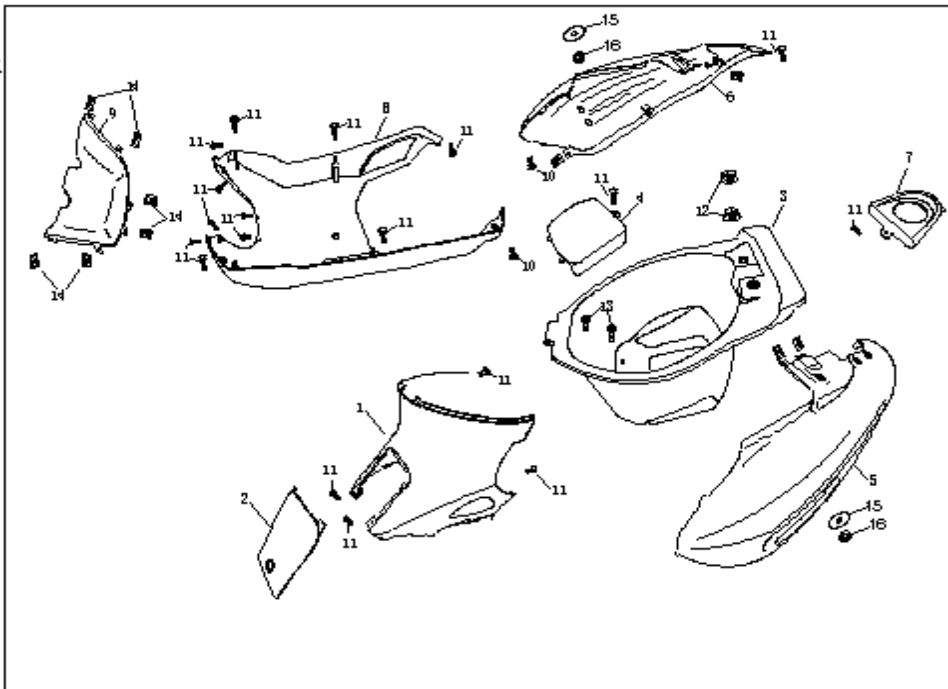
F28 Front Cover/Floor Pedal

前罩
脚踏板



PAGE NO.	Component and Part NO.	English Name	Quantity
F28/1	601601-TACE-0001	Round ago	1
F28/2	601103-TACE-0001	Front cover	1
F28/3	601301-TACE-0000	Fr.luggage box assy.	1
F28/4	601303-TACE-0000	Frame number observing board	1
F28/5	601504-TACE-0000	Hook,helmet	1
F28/6	601401-TACE-0000	Pedal	1
F28/7	601403-TACE-0000	Battery box cover	1
F28/8	601408-TAC-0000	Pedal assy.(L)	1
F28/9	601409-TAC-0000	Pedal assy.(R)	1
F28/10	601104-TAC-0000	Bolt M6*16	1
F28/11	601108-TAC-0000	Rubber washer	1
F28/12	GB/T5789-M6*12	Bolt M6*12	5
F28/13	GB/T845-ST4.2*16	Screw tapping ST4.2*16	20
F28/14	821042-TAC-0000	Clip ST4.2	6

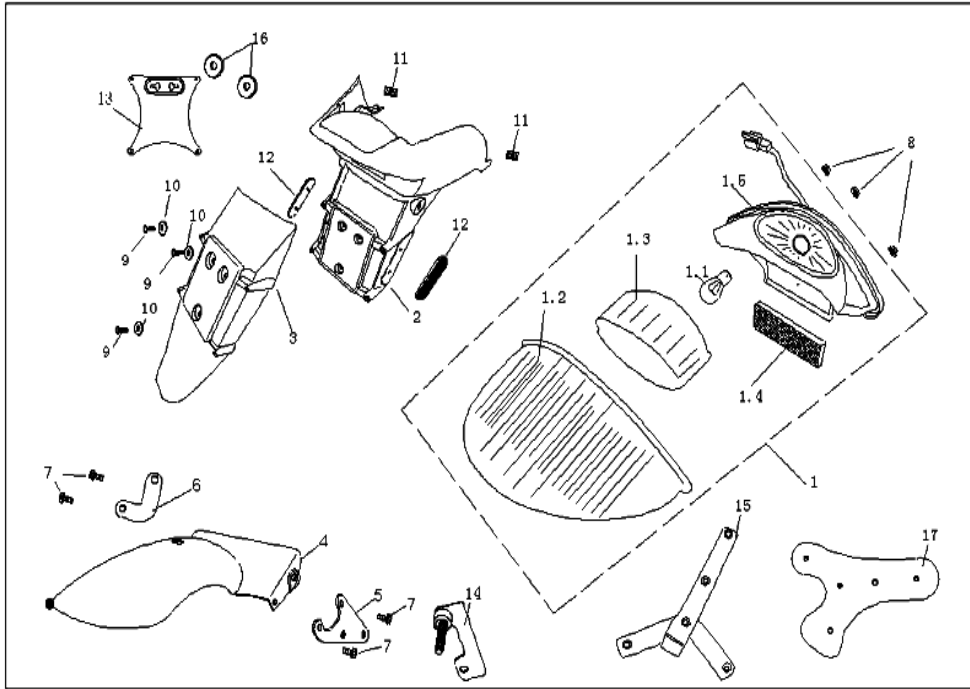
F29 Body Cover

 车
体
盖


PAGE NO.	Component and Part NO.	English Name	Quantity
F29/1	601503-TACE-0000	Center cover	1
F29/2	601506-TACE-0000	Small cover,center cover	1
F29/3	601501-TACE-0000	Luggage box	1
F29/4	601502-TACE-0000	Inner cover,luggage box	1
F29/5	601201-TACE-0001	Rear fender apron (L.)	1
F29/6	601202-TACE-0001	Rear fender apron (R.)	1
F29/7	601203-TACE-0001	Rear center cover	1
F29/8	601405-TACE-0001	Bottom cover	1
F29/9	601407-TJCE-0000	Front middle fender apron	1
F29/10	GB/T845-ST4.2*12	Screw tapping ST4.2*12	2
F29/11	GB/T845-ST4.2*16	Screw tapping ST4.2*16	18
F29/12	GB/T6177-M6	Nut M6	2
F29/13	GB/T5789-M6*16	Bolt M6*16	2
F29/14	821042-TAC-0000	Clip ST4.2	10
F29/15	340121-TAC-0000	Washer	2
F29/16	601211-TAC-0000	Rubber washer	2

F30 Taillight Assy./Rear Fender Assy.

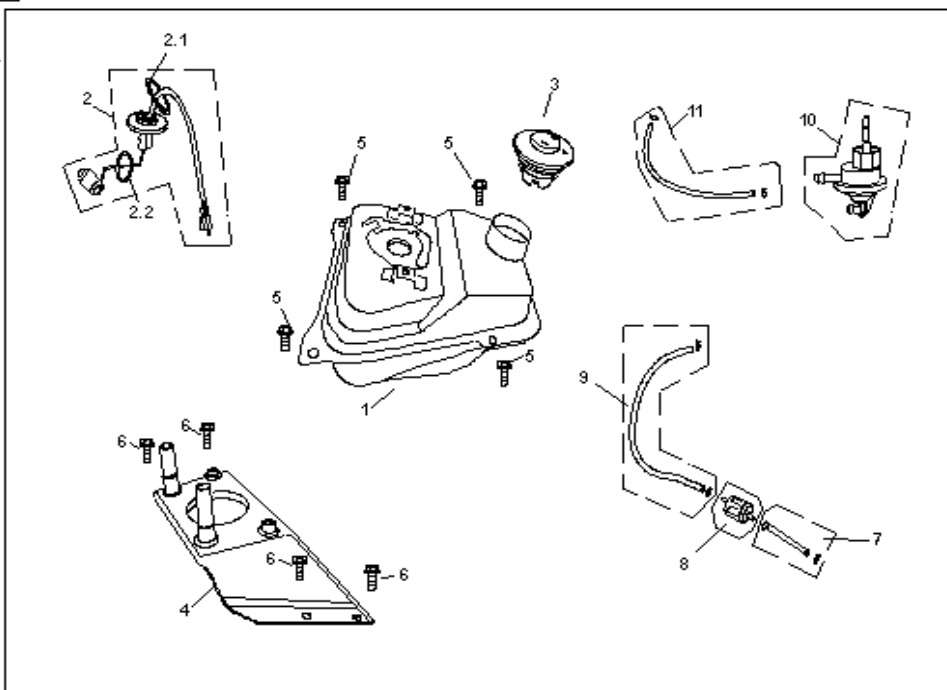
尾灯
后挡泥板



PAGE NO.	Component and Part NO.	English Name	Quantity
F30/1	321100-TACE-0000	Taillight assy.	1
F30/2	604212-TACE-0000	The empress splash guard upper part	1
F30/3	604213-TACE-0000	The empress splash guard lower part	1
F30/1.1	321110-TACE-0000	Bulb,taillight	1
F30/1.2	321131-TACE-0000	The tail lamp covered ago	1
F30/1.3	321132-TACE-0000	Cover inside the tail lamp	3
F30/1.4	325200-TACE-0000	Rear reflector	1
F30/8	GB/T6177-M6	Nut M6	3
F30/1.5	321120-TACE-0000	Base,taillight	1
F30/4	604201-TJC-0000	The empress round splash guard	1
F30/5	501901-TJC-0000	Splash guard left support	2
F30/6	501902-TJC-0000	Splash guard right support	1
F30/7	GB/T5789-M6*12	Bolt M6*12	3
F30/8	GB/T6177-M6	Nut M6	1
F30/9	GB9074.6-M5*16	Bolt M5*16	3
F30/11	821042-TAC-0000	Clip ST4.2	2
F30/1.4	325200-TACE-0000	Reflect	2
F30/10	GB/T96-φ6	Washer φ6	3
F30/12	325100-TA9-0000	Reflect	2
F30/13	501620-TACE-0000	Bracket assy., rear licence plate	1
F30/14	172010-TAC-0000	Air cleaner bracket assy.	1
F30/15	604121-TACE-0000	Fr. breakwater rubber bracket	1
F30/16	501621-TACE-0000	Bracket fixing rubber pad, Rr. licence plate	2
F30/17	604108-TACE-0000	Front breakwater rubber	1

F31 Fuel Tank

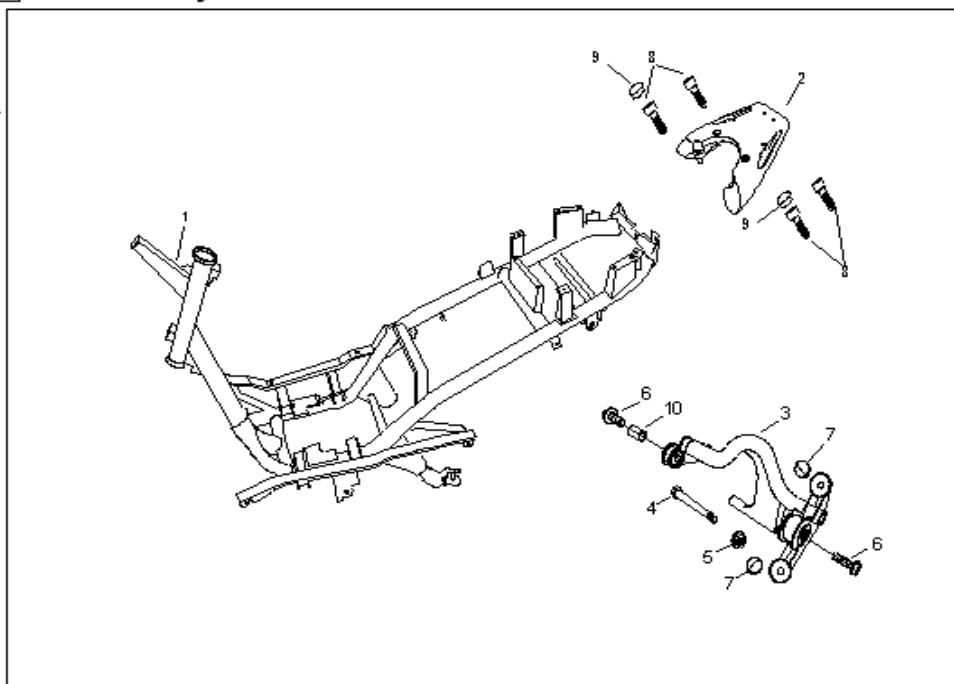
油箱



PAGE NO.	Component and Part NO.	English Name	Quantity
F31/1	515010-TJCE-0000	Fuel tank welding assy.	1
F31/2	340100-TAC-0000	Fuel transducer	1
F31/2.1	340102-TAC-0000	Transducer cover	1
F31/2.2	340101-TAC-0000	Rubber ring	1
F31/3	350300-TAC-0000	Fuel tank lock assy.	1
F31/4	506310-TJCE-0000	Assembling board welding assy.,fuel tank	1
F31/5	GB/T5789-M6*12	Bolt M6*12	4
F31/6	GB/T5789-M8*12	Bolt M8*12	4
F31/7	515130-TAC-0000	Tube A	1
F31/8	515120-TA9-0000	Fuel filter	1
F31/9	515140-TAC-0000	Tube B	1
F31/10	515100-TA9-0000	Fuel switch assy.	1
F31/11	515150-TAC-0000	Tube,negative pressure	1

F32 Frame Body

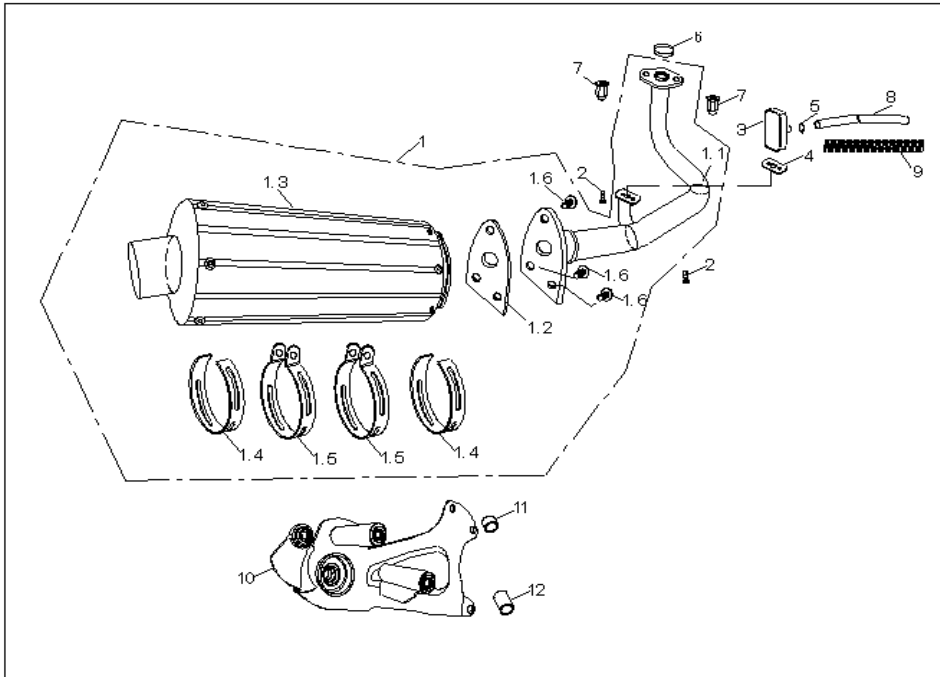
车
架



PAGE NO.	Component and Part NO.	English Name	Quantity
F32/1	501100-TJCE-0000	Frame welding assy.	1
F32/2	506304-TAC-0001	Bracket,carrier	1
F32/3	501710-TJCE-0000	Engine hanging rack welding assy.	1
F32/4	501703-TAC-0000	Assembling axis,engine hanging rack	1
F32/5	GB/T 6177-M10×1.25	Nut M10×1.25	1
F32/6	GB/T5787-M10×1.25×60	Bolt M10×1.25×60	2
F32/7	501701-TJCC-0000	Rubber	2
F32/8	GB/T 5783-M6×45	Bolt M6×45	2
F32/9	GB/T 6177-M6	Nut M6	2
F32/10	501705-TJCC-0000	Hanging rack welding Right Bush	1

F33 Muffler Welding Assy.

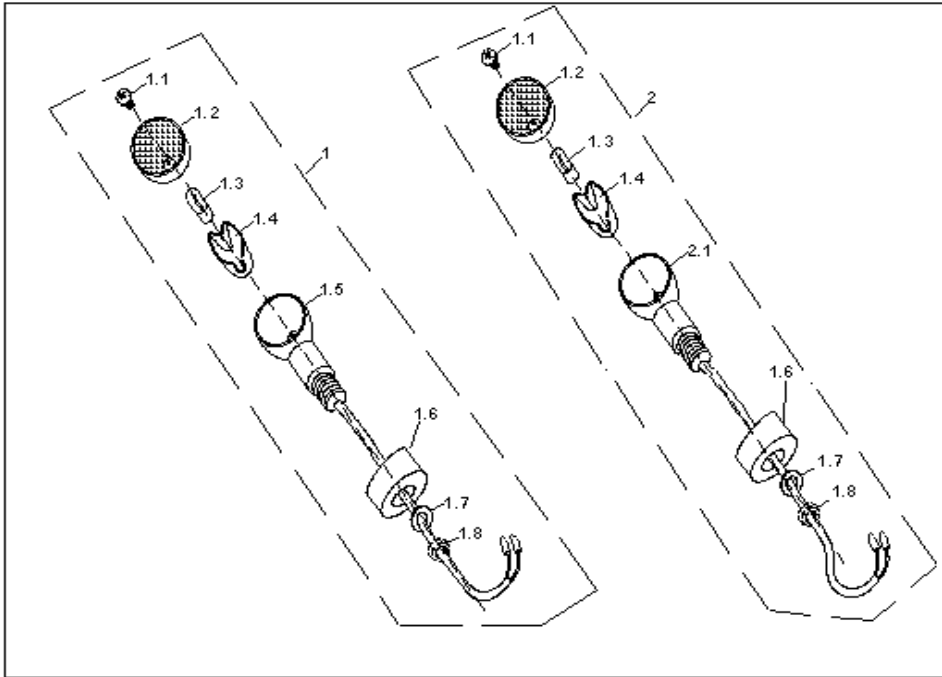
排气消声器



PAGE NO.	Component and Part NO.	English Name	Quantity
F33/1	182100-TJC-0000	Muffler welding assy.	1
F33/1.1	182110-TJC-0000	Front body,muffler welding assy.	1
F33/3	182140-TJ7-0000	Paper gasket	1
F33/1.3	182120-TJC-0000	Rear body,muffler welding assy.	1
F33/2	GB/T 818-M6*12	Screw M6*12	2
F33/1.4	182102-TJ7-0000	Fixing rubber	2
F33/1.5	182101-TJ7-0000	Fixing clip	2
F33/3	182200-TA9-0000	Control valve	1
F33/4	182220-TA9-0000	Gasket	1
F33/5	182202-TJCC-0000	Clip tube	1
F33/1.6	GB/T 70-M8*30	Screw M8*30	3
F33/6	182010-TJ7-0000	Muffler welding gasket	1
F33/7	182001-TJC-0000	Nut M6*22	2
F33/8	182201-TJC-0000	Tube	1
F33/9	182204-TA9-0000	Press spring, supply air tube	1
F33/10	182130-TJC-0000	Fixing board	1
F33/11	182107-TJC-0000	Long collar	1
F33/12	182106-TJC-0000	Short collar	1

F34 Rear Turning Light

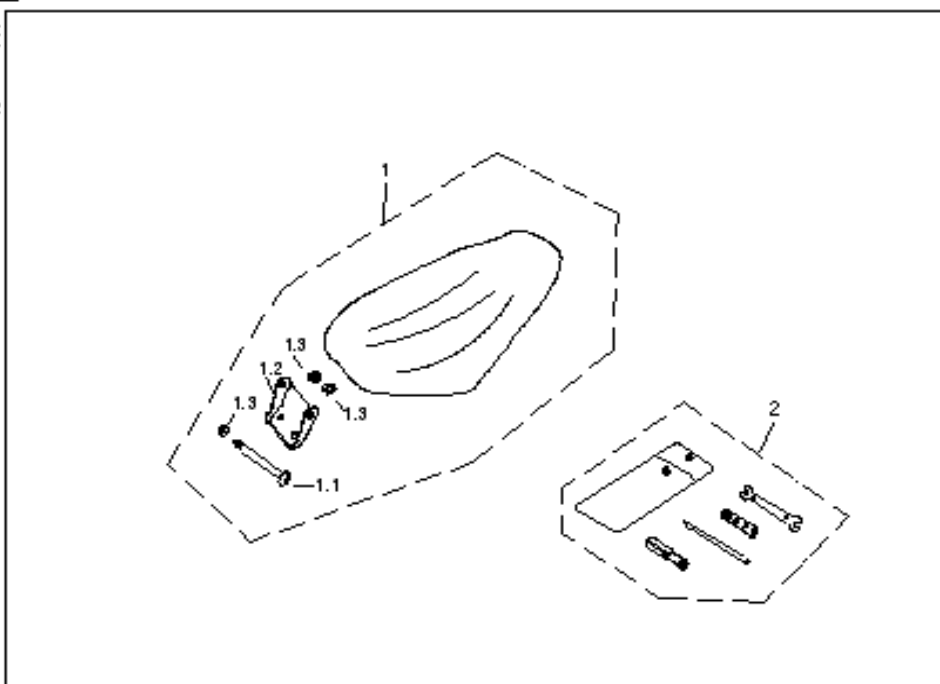
后
转
向
灯



PAGE NO.	Component and Part NO.	English Name	Quantity
F34/1	323100-TACE-0000	Rear turning light (L)	1
F34/2	323200-TACE-0000	Rear turning light (R)	1
F34/1.1	GB/T5282-ST3.9*16	Screw tapping ST3.9*16	2
F34/1.2	323131-TACE-0000	Lens, rear turning light	2
F34/1.3	322110-TACE-0000	Turning light bulb	2
F34/1.4	323120-TACE-0000	Fixing socket, rear turning light	2
F34/1.5	323140-TACE-0000	(L)Rear turning light shell	1
F34/2.1	323240-TACE-0000	(R)Rear turning light shell	1
F34/1.6	323001-TACE-0000	Rubber (L)	1
F34/1.6	323001-TACE-0000	Rubber (R)	1
F34/1.7	GB96.1-10	Washer10	2
F34/1.8	GBT41-M10	Nut M10	2

F35 Seat

座
墊

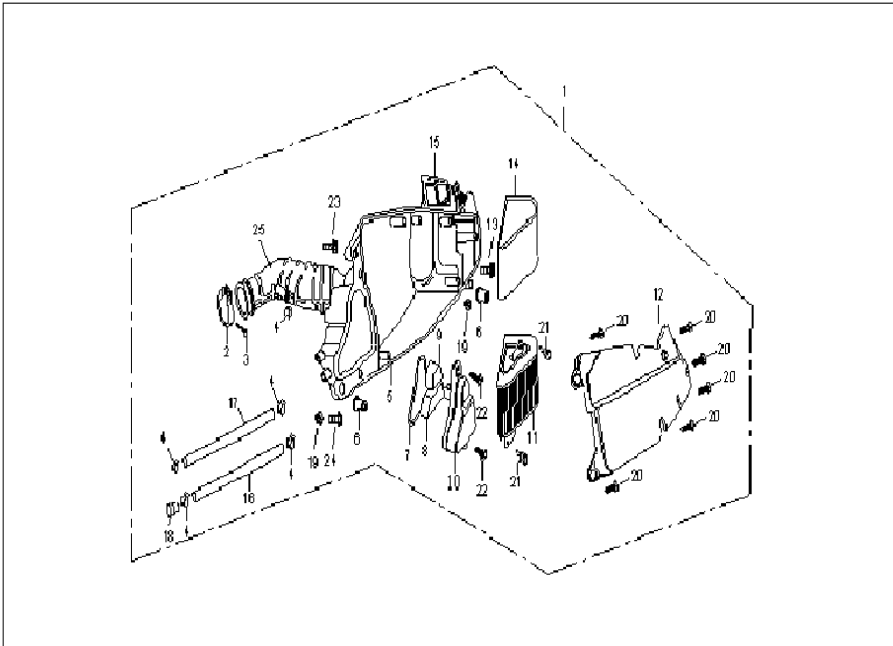


PAGE NO.	Component and Part NO.	English Name	Quantity
F35/1	701000-TAC-0000	Seat assy.	1
F35/1.1	701001-TAC-0000	Shaft	1
F35/1.2	701002-TAC-0000	Connecting board	1
F35/1.3	GB/T6177-M6	Nut M6	3
F35/2	801200-TA9-0000	Tool set	1

F36

Air cleaner

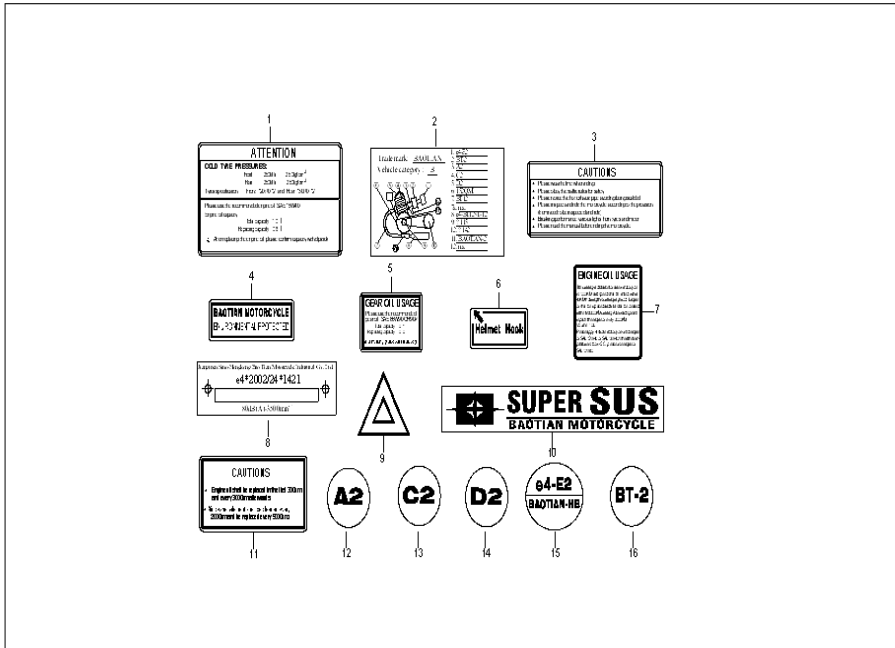
空
滤
器



PAGE NO.	Component and Part NO.	English Name	Quantity
F36/1	172000-TJCC-0000	Case assy. Air cleaner	1
F36/1.1	172140-TJCC-0000	Band connecting.tube	1
F36/1.2	GB/T 818-M4*25	Screw pan M4*25	1
F36/1.3	QC/T 621-D10.5	Clamp tube(D10.5)	5
F36/1.4	172111-TJCC-0000	Case air cleaner	1
F36/1.5	172104-TJCC-0000	Collar air cleaner setting	2
F36/1.6	172401-TJCC-0000	Seal oil catch	1
F36/1.7	172402-TJCC-0000	Filter oil catch	1
F36/1.8	172403-TJCC-0000	Filter breather	1
F36/1.9	172404-TJCC-0000	Cover assy. Oil catch	1
F36/1.10	172120-TJCC-0000	Element comp. Air cleaner	1
F36/1.11	172112-TJCC-0000	Cover air cleaner	1
F36/1.12	GB/T 5789-M6*45	Blot M6*45	1
F36/1.13	172121-TJCC-0000	Sponge,element comp	1
F36/1.14	172201-TJCC-0000	Duct air cleaner case	1
F36/1.15	172405-TJCC-0000	Tube vinyl 8*12*240	1
F36/1.16	172001-TJCC-0000	Tube	1
F36/1.17	172406-TJCC-0000	Plug breather tube	1
F36/1.18	GB/T6177-M6	Nut M6	2
F36/1.19	GB/T845-ST4.8*20	Self-tapping screw ST4.8*20	7
F36/1.20	GB9074.14-M5*10	Screw-washer M5*10	2
F36/1.21	GB/T845-ST4.2*13	Self-tapping screw ST4.2*13	2
F36/1.22	GB/T8789-M6*12	Bolt M6*12	1
F36/1.23	GB/T5789-M6*16	Bolt M6*16	1
F36/1.24	172130-TJCC-0000	Air cleaner,link tube	1

F37 Mark

标
贴



PAGE NO.	Component and Part NO.	English Name	Quantity
F37/1	830301-TJC-0000	Mark,central cover	1
F37/2	830112-TJC-0000	Scutcheon,anti-tampering	1
F37/3	830304-TA9-0000	Mark B,head cover	1
F37/4	830302-TA9-0000	Mark A,head cover	1
F37/5	830306-TA9-0000	Gear oil mark	1
F37/6	830305-TA9-0000	Mark,helmet hook	1
F37/7	830307-TJC-0000	Engine oil mark	1
F37/8	830101-TJC-0000	Nameplate,main frame	1
F37/9	830316-TA9-0000	Mark,triangle	1
F37/10	830349-TA9-0000	Applique,front shock absorber	2
F37/11	830308-TA9-0000	Air cleaner mark	1
F37/12	830309-TJC-0000	Mark A	1
F37/13	830312-TJC-0000	Mark D	1
F37/14	830313-TJC-0000	Mark C	1
F37/15	830311-TJC-0000	Mark e4-E	1
F37/16	830315-TJC-0000	Mark BT	1

F38 Mark

贴
花



PAGE NO.	Component and Part NO.	English Name	Quantity
F38/17	830203-TJCE-0000	Applique,left cover	1
F38/18	830204-TJCE-0000	Applique,right cover	1
F38/19	830208-TJCE-0000	Round ago left top applique	1
F38/20	830246-TJCE-0000	The Web address mark stick	1
F38/21	830205-TJCE-0000	In the front panel applique	1
F38/22	830227-TJCE-0000	Mark, bottom cover L.	1
F38/23	830228-TJCE-0000	Mark, bottom cover R.	1