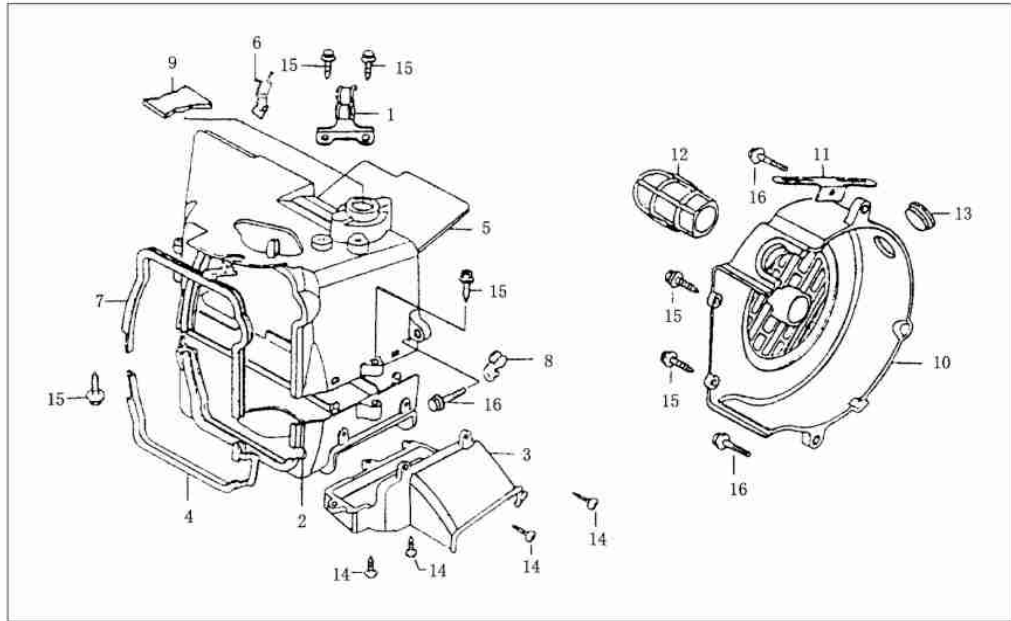


BT125T-7 BIGPANTHER 125

F1 Breathe, Shroud

进气罩
导风罩

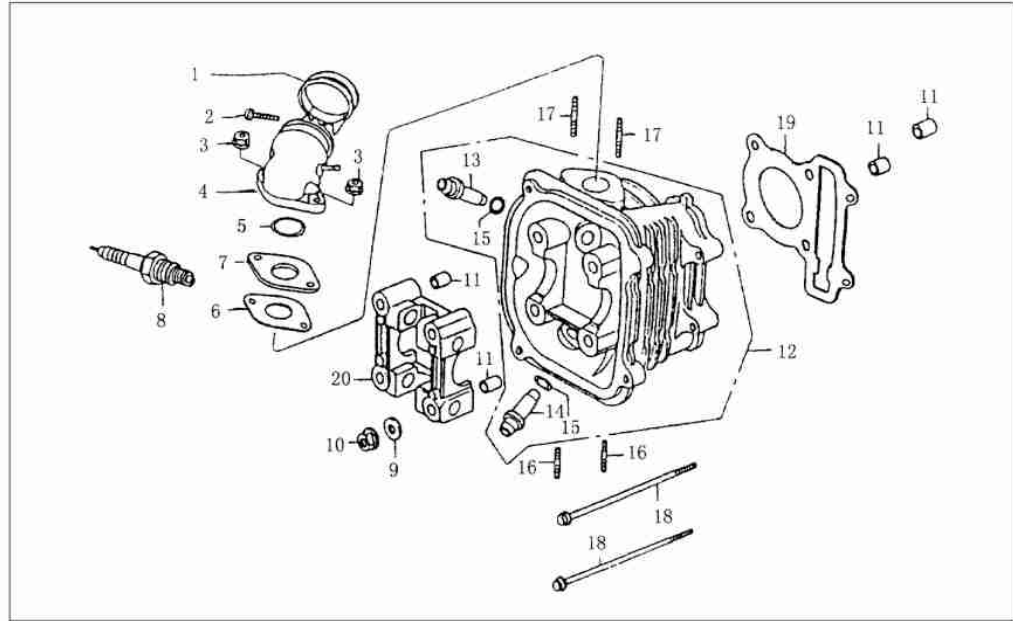


1

Bild Nr.:	Artiklenummer	Bezeichnung (e)	Menge
1	108101-152QMI-000 F1.1	Clamber Breather Tube	1
2	108200-152QMI-000 F1.2	Upper shroud	1
3	GB/T 845-1985 F1.3	Screw tapping ST4.2*16	6
4	108201-152QMI-000 F1.4	Seal Ring A	1
5	108100-152QMI-000 F1.5	Lower shroud	1
6	108102-152QMI-000 F1.6	Cord clip	1
7	108103-152QMI-000 F1.7	Seal ring B	1
8	101112-152QMI-000 F1.8	Clamber, overflow tube	1
9	108104-152QMI-000 F1.9	Rubber plug	1
10	108300-152QMI-000 F1.10	Cover assy., breathe	1
11	108302-152QMI-000 F1.11	Clamber, starter	1
12	108303-152QMI-000 F1.12	Cooling tube	1
13	108301-152QMI-000 F1.13	Observed plug	1
14	GB/T 5787-1986 F1.14	Bolt M6*25	3

F2 Cylinder Head

气
缸
头

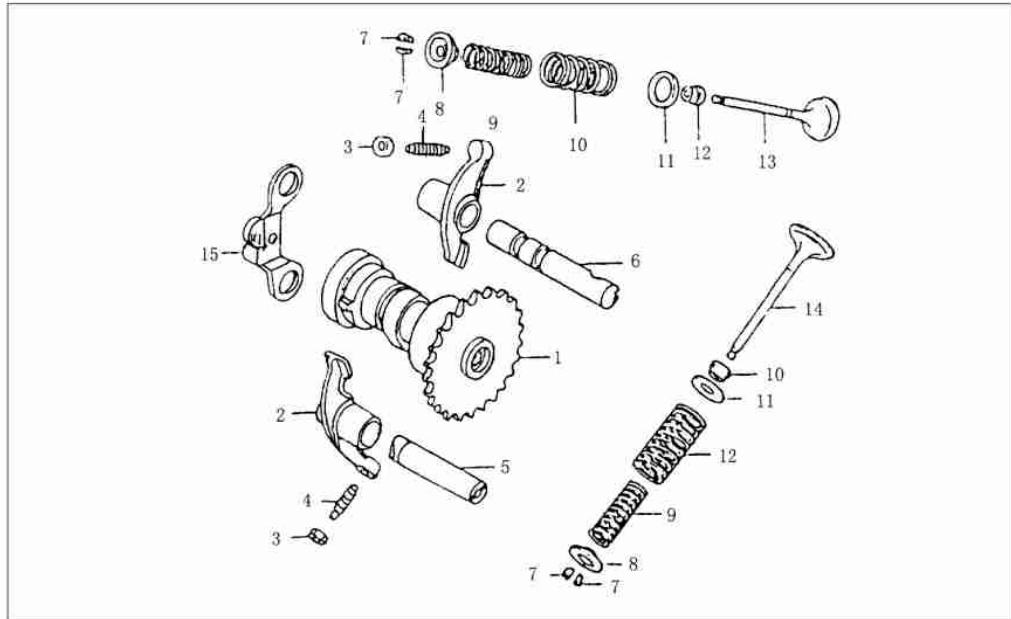


3

Bild Nr.:	Artiklenummer	Bezeichnung (e)	Menge
1	101310-152QMI-000 F2.1	Clamper	1
2	GB/T 818-1985 F2.2	Screw M4*25	1
3	GB/T 6177-1986 F2.3	Nut M6	2
4	101300-152QMI-000 F2.4	Pipe in	1
5	GB3452.1 F2.5	O-ring 27*2.0	1
6	101320-152QMI-000 F2.6	Insulator Carburetor	1
7	124029-152QMI-000 F2.7	Gasket Carburetor Insulator	1
8	122100-152QMI-000 F2.8	Spark plug (A7RTC)	1
9	101207-152QMI-000 F2.9	Washer	4
10	101206-152QMI-000 F2.10	Nut M8	4
11	DWX 8.3*10*16 F2.11	Dowel pin	4
12	101200-152QMI-000 F2.12	Cylinder head	1
13	101201-152QMI-000 F2.13	Guide pipe, in valve	1
14	101202-152QMI-000 F2.14	Guide pipe, ex valve	1
15	GB2452.1 F2.15	O-Ring 9*1.6	2
16	101205-152QMI-000 F2.16	2-stud bolt M6*32	2
17	101302-152QMI-000 F2.17	2-stud bolt M6*63	2
18	GB/T 5787-1986 F2.18	Bolt M6*100	2
19	124010-152QMI-000 F2.19	Gasket, cylinder head	1
20	109201-152QMI-000 F2.20	Setting base, camshaft	1

F3

Camshaft/Valve

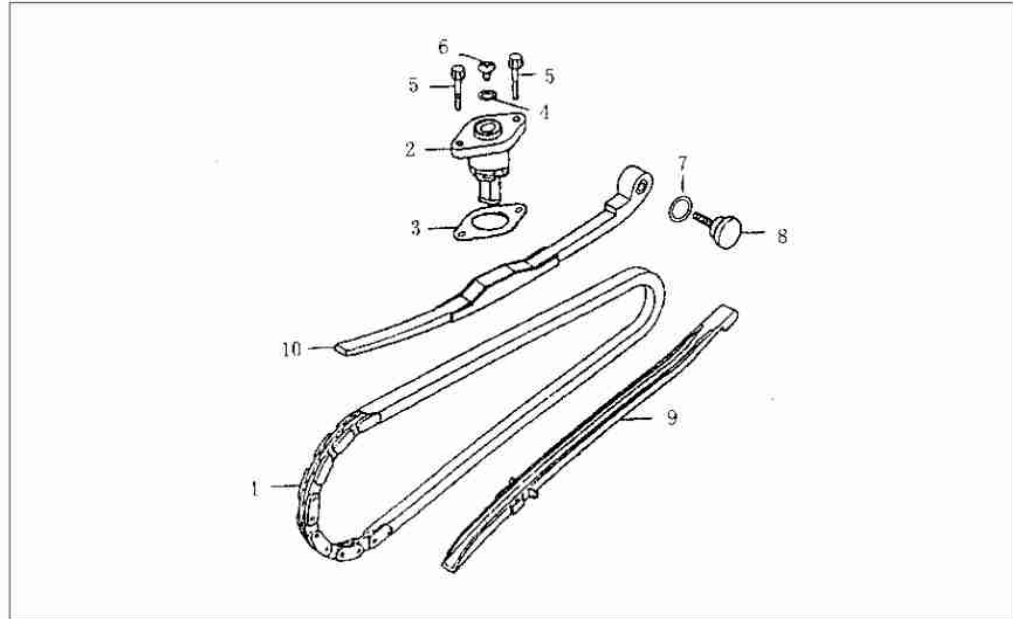
凸轮轴
气门

. 5 .

Bild Nr.:	Artiklenummer	Bezeichnung (e)	Menge
1	110100-152QMI-000 F3.1	Camshaft Comp.	1
2	109202-152QMI-000 F3.2	Arm Valve Rocker	2
3	109203-152QMI-000 F3.3	Nut	2
4	109204-152QMI-000 F3.4	Adjusting screw	2
5	109205-152QMI-000 F3.5	Shaft comp., ex.	1
6	109206-152QMI-000 F3.6	Shaft comp., in.	1
7	109112-152QMI-000 F3.7	Lock Valve	4
8	109113-152QMI-000 F3.8	Retainer Valve Spring	2
9	109114-152QMI-000 F3.9	Inner Spring, Valve	2
10	109115-152QMI-000 F3.10	Outer Spring, Valve	2
11	109116-152QMI-000 F3.11	Seat, Valve Spring	2
12	109117-152QMI-000 F3.12	Seal Valve	2
13	109111-152QMI-000 F3.13	Valve In.	1
14	109121-152QMI-000 F3.14	Valve Ex.	1
15	109209-152QMI-000 F3.15	Stop plate	1

F4

Camchain/Tensioner

正时链条
张紧器

7

Bild Nr.:	Artiklenummer	Bezeichnung (e)	Menge
1	109400-152QMI-000 F4.1	Cam chan	1
2	109530-152QMI-000 F4.2	Tensioning device	1
3	124022-152QMI-000 F4.3	Gasket, tensioner device	1
4	GB3452.1 F4.4	O-ring 9.5*1.5	1
5	GB/T 5787-1986 F4.5	Bolt M6*22	2
6	109531-152QMI-000 F4.6	Bolt M6*6	1
7	GB3452.1 F4.7	O-Ring 15.2*1.5	1
8	109501-152QMI-000 F4.8	Bolt, tensioning board	1
9	109520-152QMI-000 F4.9	Guiding board comp.	1
10	109510-152QMI-000 F4.10	Tensioning board comp.	1

F5

Cylinder Head Cover

气缸头盖

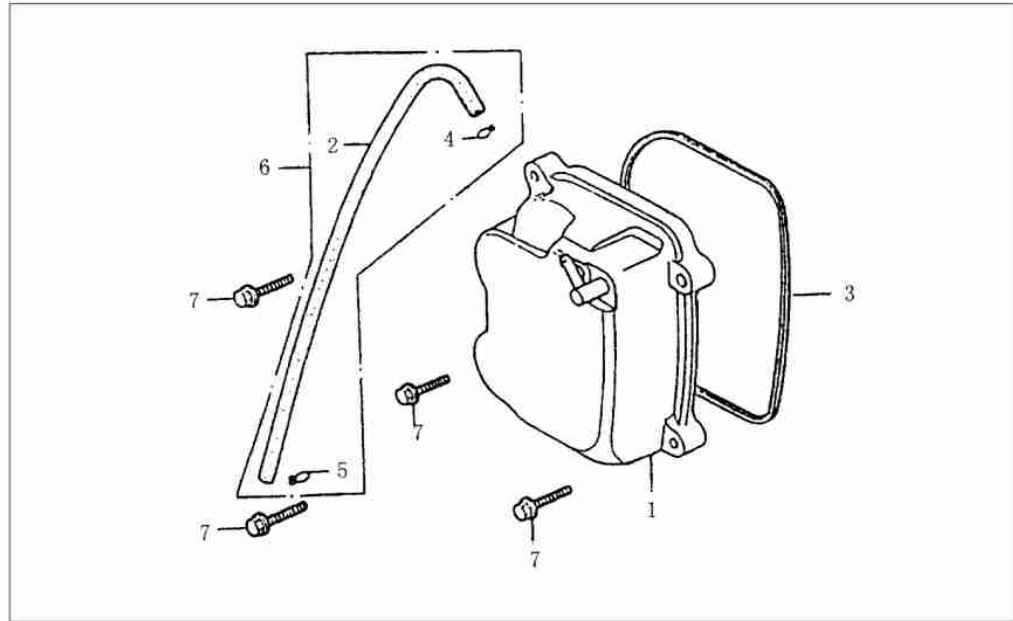
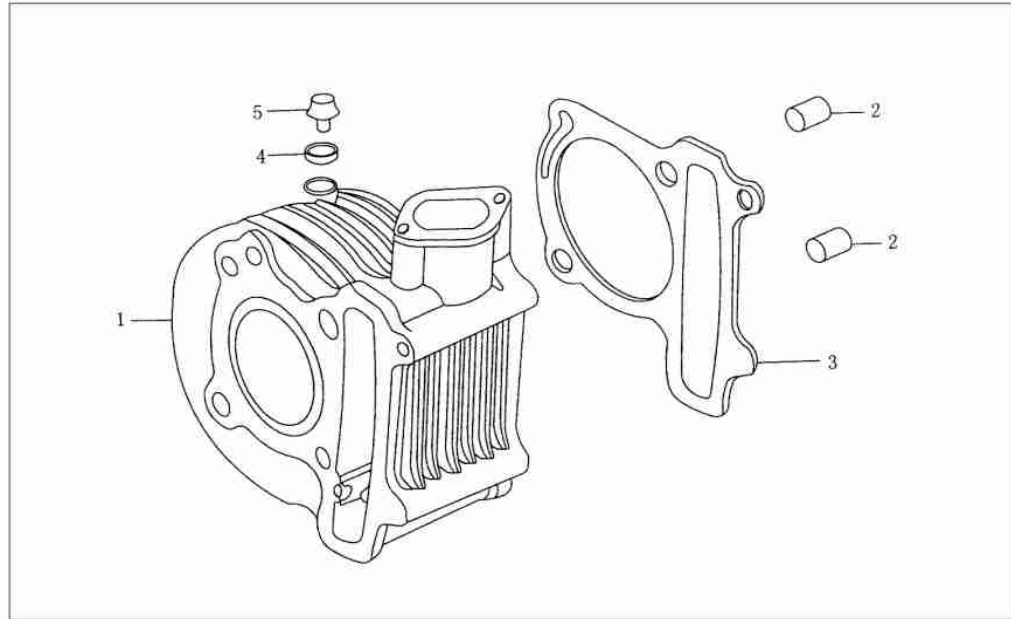


Bild Nr.:	Artiklenummer	Bezeichnung (e)	Menge
1	101101-152QMI-000 F5.1	Cover Comp Cylinder Head	1
2	108701-152QMI-000 F5.2	Tube	1
3	101104-152QMI-000 F5.3	Gasket, Cylinder Head Cover	1
4	108702-152QMI-000 F5.4	Tube clip B8	1
5	108703-152QMI-000 F5.5	Tube clip B12	1
6	108710-152QMI-000 F5.6	Tube assy.	1
7	GB/T 5787-1986 F5.7	Bolt M6*25	4

F6 Cylinder

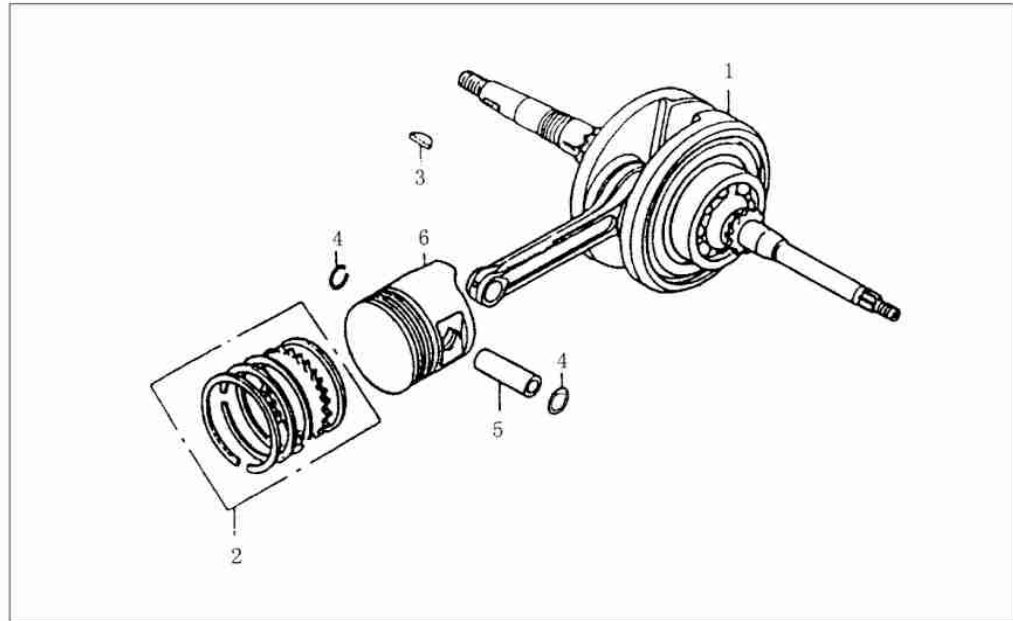
气
缸



. 11 .

Bild Nr.:	Artiklenummer	Bezeichnung (e)	Menge
1	102100-152QMI-000 F6.1	Cylinder Assy.	1
2	DWX 8.3*10*16 F6.2	Dowel pin	2

F7 Crankshaft/Piston

 曲轴
活塞


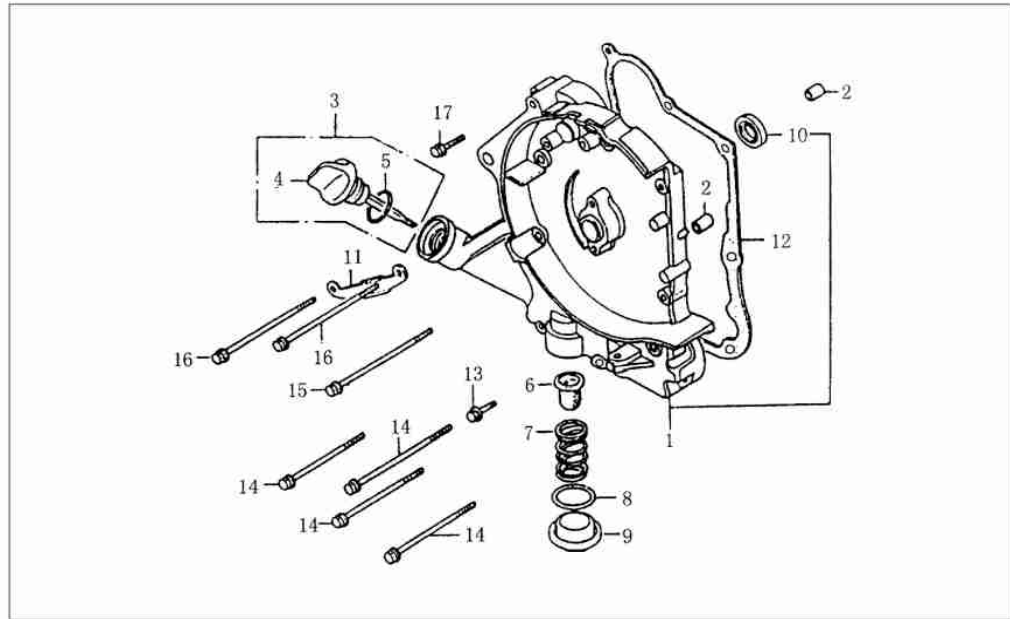
13

Bild Nr.:	Artiklenummer	Bezeichnung (e)	Menge
1	113100-152QMI-000 F7.1	Crankshaft Rod Assy.	1
2	112100-152QMI-000 F7.2	Ring set, piston	1
3	113131-152QMI-000 F7.3	Woodruff Key	1
4	111131-152QMI-000 F7.4	Clip, piston pin	2
5	111121-152QMI-000 F7.5	Piston pin	1
6	111111-152QMI-000 F7.6	Piston	1

F8

Right Crankcase Cover

右曲轴箱盖

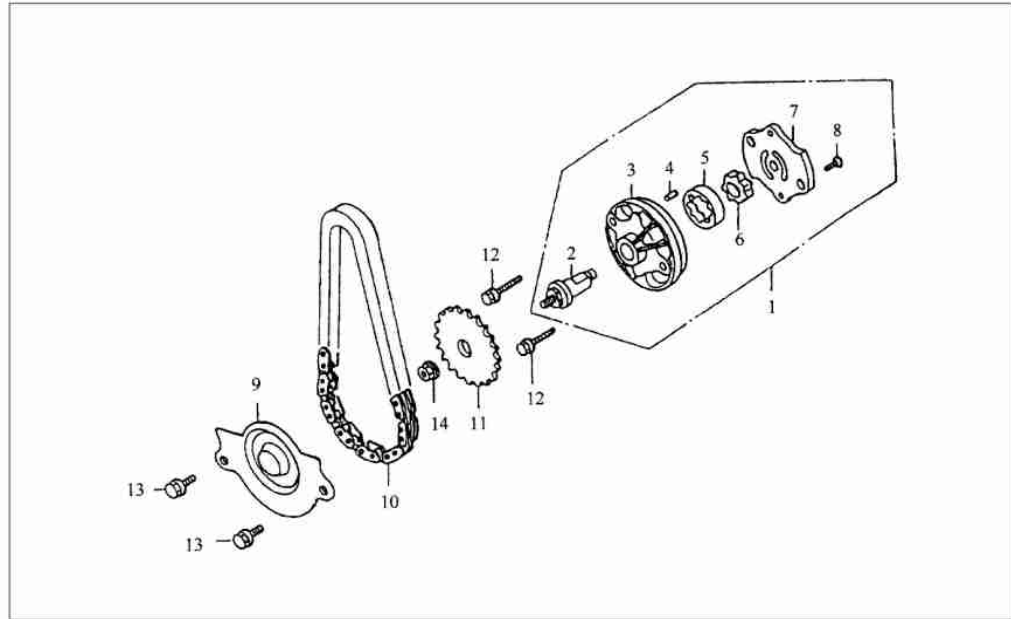


. 15 .

Bild Nr.:	Artikelnummer	Bezeichnung (e)	Menge
1	106101-152QMI-000 F8.1	Right crankcase cover	1
2	DWX 6.3*8*14 F8.2	Dowel pin	2
3	123100-152QMI-000 F8.3	Gauge assy., oil level	1
4	123101-152QMI-000 F8.4	Oil level gauge	1
5	GB3452.1 F8.5	O-ring 18*3	1
6	119303-152QMI-000 F8.6	Screen, oil filter	1
7	119301-152QMI-000 F8.7	Spring Oil Filter Screen	1
8	GB3452.1 F8.8	O-ring 30.8*3	1
9	119302-152QMI-000 F8.9	Cap, oil filter screen	1
10	YF 19.8*30*5 F8.10	Oil seal YF 19.8*30*5	1
11	106105-152QMI-000 F8.11	Clamper, A.C. Generator cord	1
12	124024-152QMI-000 F8.12	Gasket, right crankcase cover	1
13	GB/T 5787-1986 F8.13	Bolt M6*32	1
14	GB/T 5787-1986 F8.14	Bolt M6*95	4
15	GB/T 5787-1986 F8.15	Bolt M6*100	1
16	GB/T 5787-1986 F8.16	Bolt M6*110	2
17	GB/T 5787-1986 F8.17	Bolt M6*40	1

F9

Oil Pump

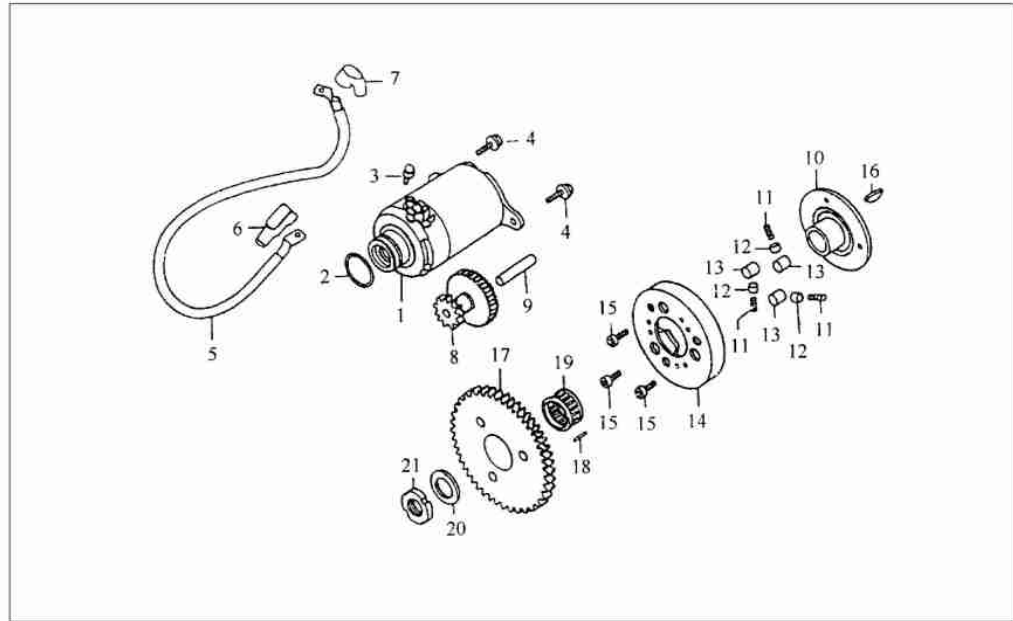
机
油
泵

17

Bild Nr.:	Artiklenummer	Bezeichnung (e)	Menge
1	119100-152QMI-000 F9.1	Oil Pump Assy.	1
2	119101-152QMI-000 F9.2	Oil Pump Shaft	1
3	119130-152QMI-000 F9.3	Oil Pump Body	1
4	DWX 4*6.5 F9.4	Dowel Pin 4*6.5	1
5	119102-152QMI-000 F9.5	Outer Rotor, Oil Pump	1
6	119103-152QMI-000 F9.6	Inner Rotor, Oil Pump	1
7	119107-152QMI-000 F9.7	Plate	1
8	GB/T 818-1985 F9.8	Screw M3*10	1
9	119106-152QMI-000 F9.9	Oil Separator	1
10	119140-152QMI-000 F9.10	Oil Pump Chain	1
11	119120-152QMI-000 F9.11	Driven Sprocket, Oil Pump	1
12	GB/T 5787-1986 F9.12	Bolt M6*25	2
13	GB/T 5787-1986 F9.13	Bolt M6*12	2
14	GB/T 6177-1986 F9.14	Nut M6	1

F10 Starting Motor

起
动
电
机

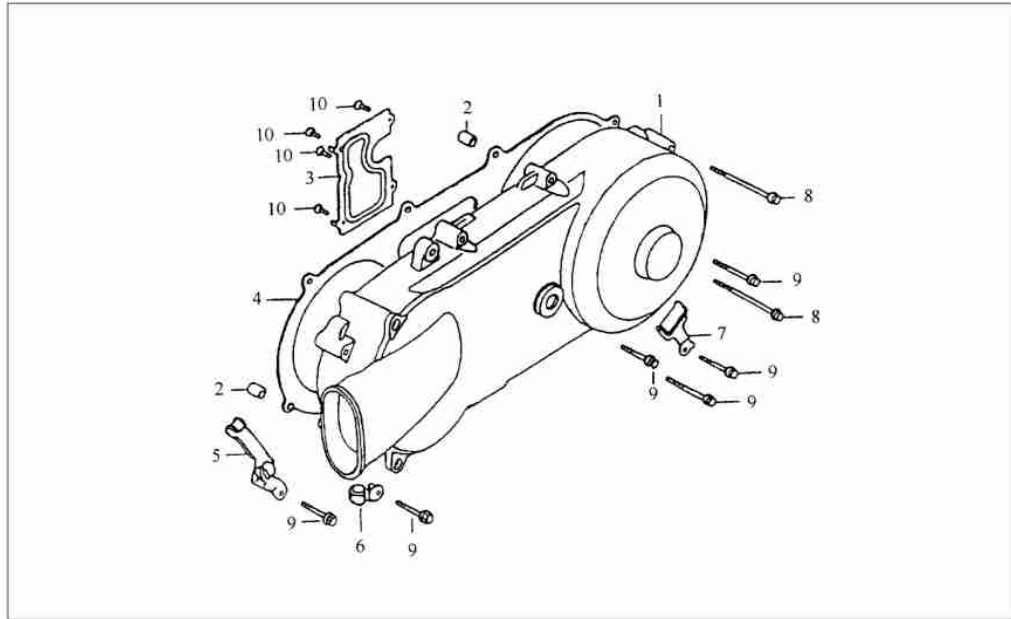


19

Bild Nr.:	Artiklenummer	Bezeichnung (e)	Menge
1	12110-152QMI-000 F10.1	Starting Motor Assy.	1
2	GB3452.1 F10.2	O-Ring 24.4*3.1	1
3	GB/T 5787-1986 F10.3	Bolt M5*8	1
4	GB/T 5787-1986 F10.4	Bolt M6*16	2
5	121101-152QMI-000 F10.5	Starting Motor Cable	1
6	121102-152QMI-000 F10.6	Rubber A	1
7	121103-152QMI-000 F10.7	Rubber B	1
8	118120-152QMI-000 F10.8	Electric starting gear	1
9	118110-152QMI-000 F10.9	Shaft, electric starting	1
10	118156-152QMI-000 F10.10	Flange, starting clutch	1
11	118154-152QMI-000 F10.11	Spring, Starting Clutch Roller	3
12	118155-152QMI-000 F10.12	Cap, Starting Clutch Roller Spring	3
13	118157-152QMI-000 F10.13	Roller	3
14	118158-152QMI-000 F10.14	Outer Comp, Starting Clutch	1
15	GB/T 70-1985 F10.15	Bolt M6*12	3
16	GB/T 1099-1979 F10.16	Woodruff Key	1
17	118130-152QMI-000 F10.17	Gear Comp, Starting Clutch	1
18	DWX 5*6 F10.18	Dowel Pin 5*6	1
19	118159-152QMI-000 F10.19	Needle Bearing	1
20	GB/T 97.1-1985 F10.20	Washer 22.6*31*2.5	1
21	GB/T 812-1988 F10.21	Nut M22	1

F11 Left Crankcase Cover

左曲轴箱盖

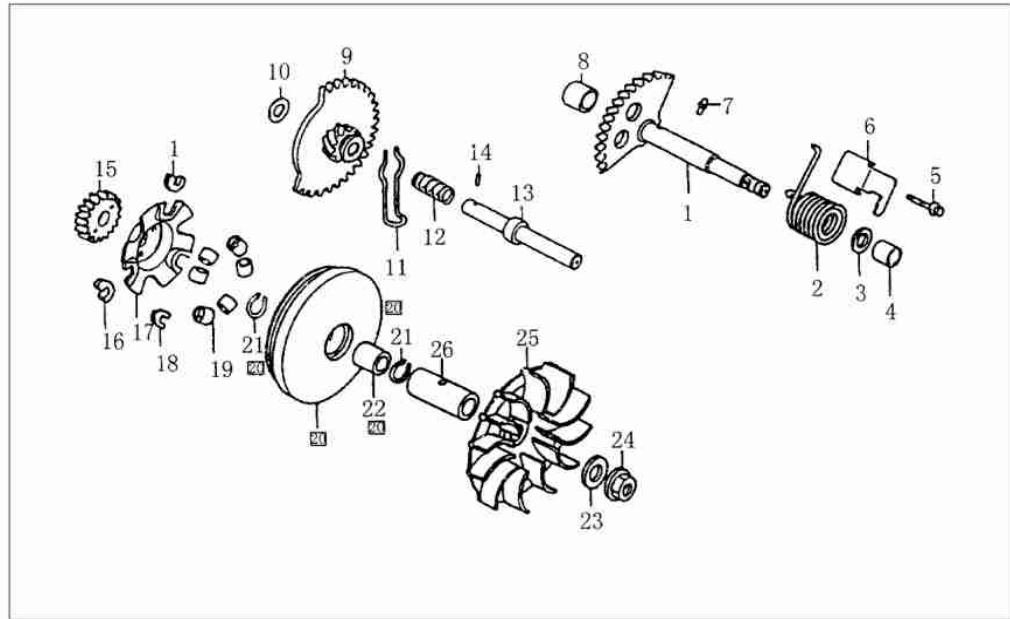


21

Bild Nr.:	Artiklenummer	Bezeichnung (e)	Menge
1	103101-152QMI-000 F11.1	Left crankcase Cover	1
2	DWX 8*6.3*14 F11.2	Dowel Pin	2
3	103107-152QMI-000 F11.3	Guiding plate	1
4	124026-152QMI-000 F11.4	Gasket, Left Cover	1
5	103102-152QMI-000 F11.5	Clamber	1
6	103108-152QMI-000 F11.6	Clamber, overflow tube	1
7	103110-152QMI-000 F11.7	Clamber Brake Cable	1
8	GB/T 5787-1986 F11.8	Bolt M6*65	2
9	GB/T 5787-1986 F11.9	Bolt M6*40	6
10	GB/T 818-1985 F11.10	Screw M4*8	4

F12 Drive Pulley

驱动皮带轮

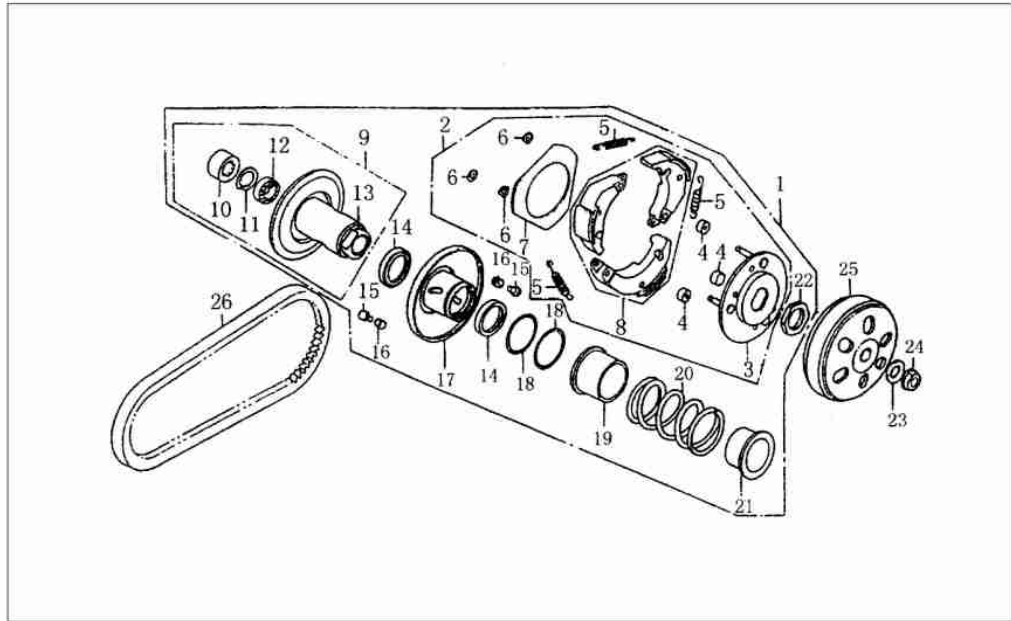


23

Bild Nr.:	Artiklenummer	Bezeichnung (e)	Menge
1	117100-152QMI-000 F12.1	Spindle Comp Kick Starter	1
2	117103-152QMI-000 F12.2	Spring Kick Starter	1
3	117104-152QMI-000 F12.3	Washer 14	1
4	117102-152QMI-000 F12.4	Bush Kick Spindle	1
5	GB/T 5787-1986 F12.5	Bolt M6*14	1
6	117131-152QMI-000 F12.6	Stop board	1
7	117105-152QMI-000 F12.7	Pin 4.5	1
8	117101-152QMI-000 F12.8	Bush	1
9	117130-152QMI-000 F12.9	Start idler	1
10	GB/T 97.1-1985 F12.10	Washer 12.5	1
11	117132-152QMI-000 F12.11	Spring	1
12	117133-152QMI-000 F12.12	Spring, driver shaft	1
13	117134-152QMI-000 F12.13	Driver shaft, start idler	1
14	117135-152QMI-000 F12.14	Roller 3*8.5	1
15	116242-152QMI-000 F12.15	Driver gear	1
16	116213-152QMI-000 F12.16	Block	3
17	116212-152QMI-000 F12.17	Plate	1
18	116250-152QMI-000 F12.18	Roller set	6
19	116211-152QMI-000 F12.19	Right comp., driver	1
20	GB/T 894.1-1986 F12.20	Clip	2
21	116215-152QMI-000 F12.21	Collar	1
22	GB/T 97.1-1985 F12.22	Washer 12	1
23	GB/T 6177-1986 F12.23	Nut M12	1
24	116230-152QMI-000 F12.24	Left, driver	1
25	116214-152QMI-000 F12.25	Collar bush	1

F13 Driven Pulley Assy

从动皮带轮组

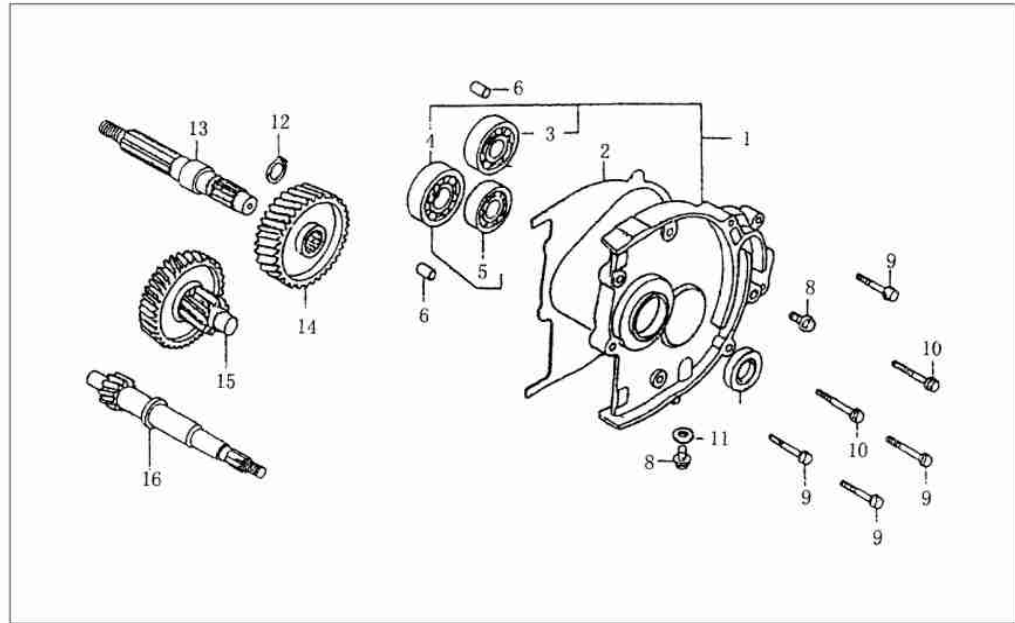


25

Bild Nr.:	Artikelnummer	Bezeichnung (e)	Menge
1	116300-152QMI-000 F13.1	Pulley Assy. Driven	1
2	116320-152QMI-000 F13.2	Plate Assy Driven	1
3	116410-152QMI-000 F13.3	Plate, Driven	1
4	116401-152QMI-000 F13.4	Rubber Clutch	3
5	116402-152QMI-000 F13.5	Spring, Clutch	3
6	GB/T 896-1986 F13.6	Circlip 5	3
7	116403-152QMI-000 F13.7	Side plate, clutch	1
8	116450-152QMI-000 F13.8	Weight set, clutch	1
9	116310-152QMI-000 F13.9	Outer plate, clutch	1
10	GB 3038-18 F13.10	Needle bearing 20*29*18	1
11	GB/T 896-1986 F13.11	Circlip 5	1
12	GB/T 276-94 F13.12	Bearing	2
13	116430-152QMI-000 F13.13	Right Comp Driver	1
14	YF34*41*4 F13.14	Seal 34*41*4	2
15	116302-152QMI-000 F13.15	Guiding pin	1
16	116403-152QMI-000 F13.16	Roller	1
17	116440-152QMI-000 F13.17	Belt plate, driven	1
18	GB3452.1 F13.18	O-ring	2
19	116404-152QMI-000 F13.19	Collar, seal	1
20	116405-152QMI-000 F13.20	Spring , driver	1
21	116406-152QMI-000 F13.21	Collar	1
22	116301-152QMI-000 F13.22	Nut M28	1
23	GB/T 97.1-1985 F13.23	Washer 12	1
24	GB/T 6177-1986 F13.24	Nut M12	1
25	116500-152QMI-000 F13.25	Belt, driver	1

F14 Transmission

传动系

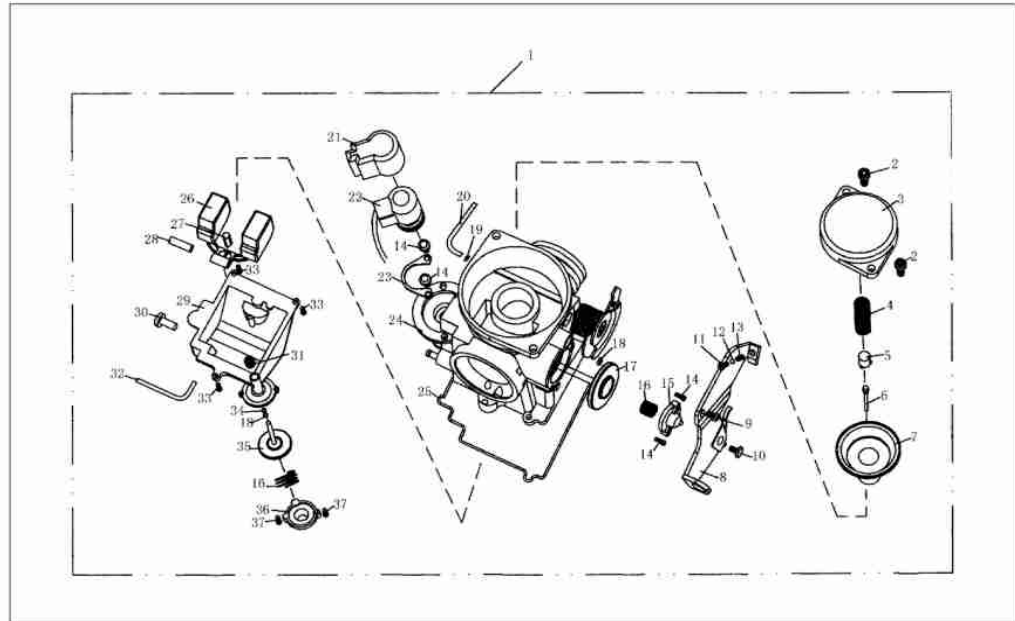


27

Bild Nr.:	Artiklenummer	Bezeichnung (e)	Menge
1	107101-152QMI-000 F14.1	Rear transmission case assy.	1
2	124027-152QMI-000 F14.2	Gasket, rear transmission case	1
3	GB/T 276-1994 F14.3	Bearing 6203	1
4	GB/T 276-1994 F14.4	Bearing 6204	1
5	GB/T 276-1994 F14.5	Bearing 6202	1
6	DWX 8*6.3*14 F14.6	Dowel pin	2
7	YF 20*32*6 F14.7	Oil Seal 20*32*6	1
8	GB/T 5787-1986 F14.8	Bolt M8*12	2
9	GB/T 5787-1986 F14.9	Bolt M6*28	4
10	GB/T 5787-1986 F14.10	Bolt M6*35	2
11	GB/T 97.1-1985 F14.11	Washer 8	1
12	GB896-1986 F14.12	Circlip 5	1
13	114501-152QMI-000 F14.13	Output shaft	1
14	114502-152QMI-000 F14.14	Output gear	1
15	114600-152QMI-000 F14.15	Middle gear	1
16	114701-152QMI-000 F14.16	Input shaft	1

F16 Carburetor

化油器

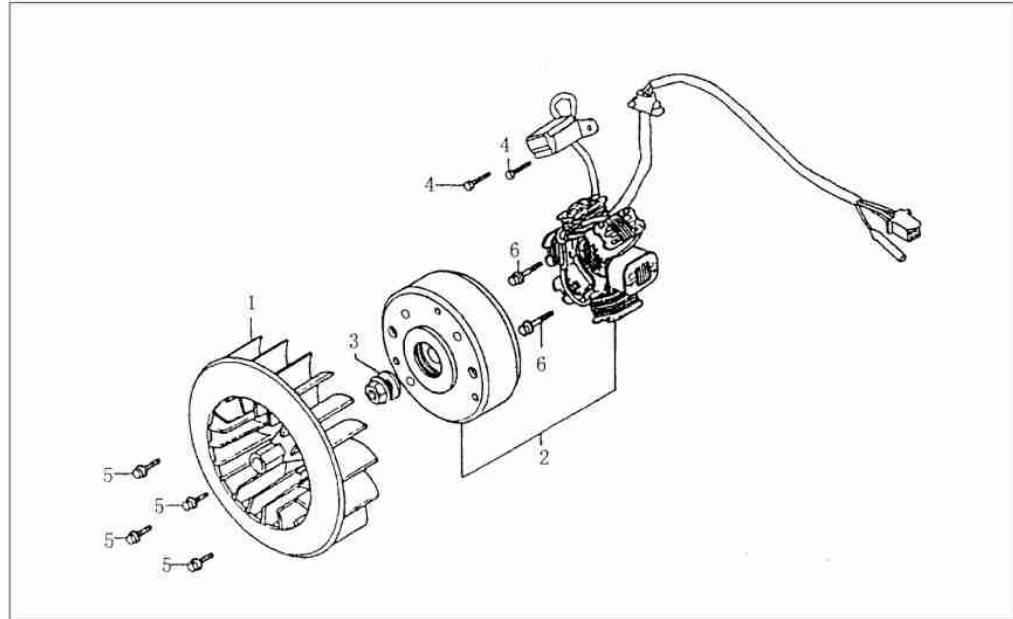


31

Bild Nr.:	Artikelnummer	Bezeichnung (e)	Menge
1	160000-152QMI-000 F16.1	Carburetor assy.	1
2	GB/T 818-1985 F16.2	Screw M4*8	1
3	160101-152QMI-000 F16.3	Plate clip	1
4	160102-152QMI-000 F16.4	Cap, vacuum piston valve	1
5	160103-152QMI-000 F16.5	Spring	1
6	160104-152QMI-000 F16.6	Plate set	1
7	160200-152QMI-000 F16.7	Oil needle	1
8	160105-152QMI-000 F16.8	Vacuum piston valve	1
9	160300-152QMI-000 F16.9	Air block valve	1
10	GB/T 818-1985 F16.10	Screw M5*12	1
11	GB/T 818-1985 F16.11	Screw M4*10	1
12	160900-152QMI-000 F16.12	Screw set A	1
13	160001-152QMI-000 F16.13	Injecting nozzle 35#	1
14	160002-152QMI-000 F16.14	Main injecting nozzle 112#	1
15	160003-152QMI-000 F16.15	Base, oil needle	1
16	160400-152QMI-000 F16.16	Gasket	1
17	160004-152QMI-000 F16.17	Air tube	1
18	160005-152QMI-000 F16.18	Tube clip	1
19	160006-152QMI-000 F16.19	Tube clip	1
20	160007-152QMI-000 F16.20	Rubber tube 3.5*210	1
21	160500-152QMI-000 F16.21	Float chamber	1
22	GB/T 818-1985 F16.22	Screw M4*14	1
23	160008-152QMI-000 F16.23	Overflow tube	1
24	160600-152QMI-000 F16.24	Screw set B	1
25	160700-152QMI-000 F16.25	Float canister assy.	1
26	160009-152QMI-000 F16.26	Float canister valve	1
27	160800-152QMI-000 F16.27	Starting valve set	1
28	GB/T 818-1985 F16.28	Screw M5*12	1
29	GB/T 818-1985 F16.29	Screw M4*8	1
30	160801-152QMI-000 F16.30	Cap, starting valve	1

F17 Magneto

磁电机

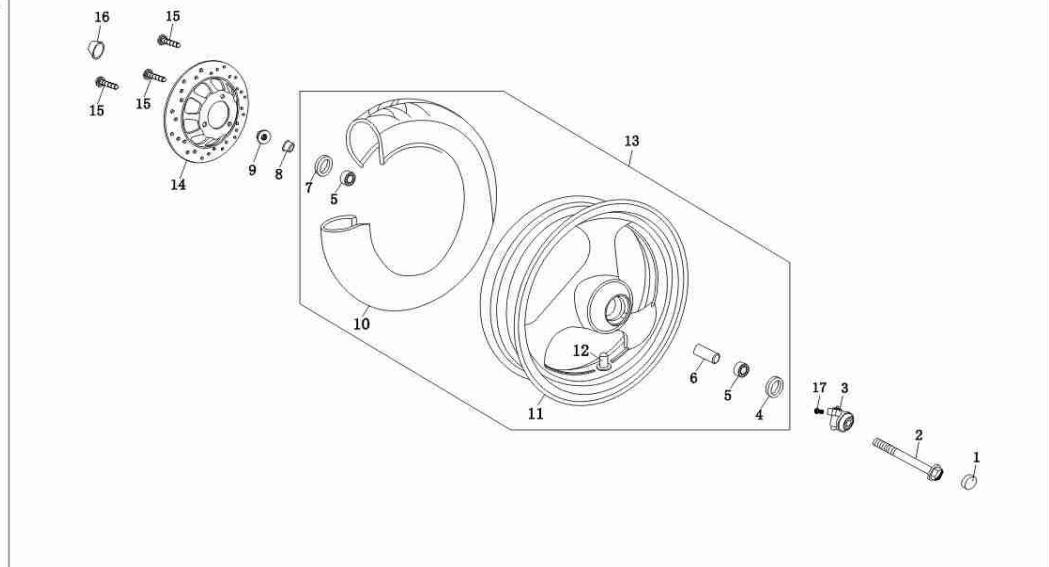


35

Bild Nr.:	Artiklenummer	Bezeichnung (e)	Menge
1	108500-139QMB-000 F17.1	Fan Comp, Cooling	1
2	120100-139QMB-000 F17.2	Generator Assy	1
3	GB6187-M10*1.25W F17.3	R.Nut, Camshaft	1
4	GB5783-M5*12W F17.4	Bolt M5*12	2
5	GB5787-M6*16W F17.5	Bolt M6*16	4
6	GB5787-M6*22W F17.6	Bolt M6*22	2

F18 Front wheel

前
轮

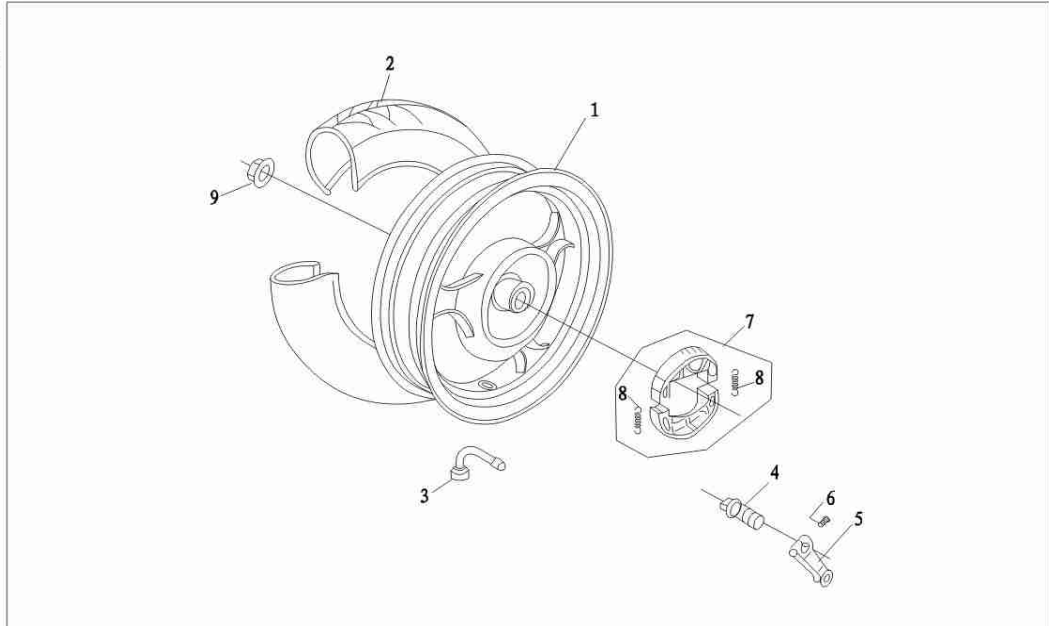


- 35 -

Bild Nr.:	Artiklenummer	Bezeichnung (e)	Menge
1	401005-TB9-000 F18.1	Left Rubber Cap	1
2	401003-TJ7-000 F18.2	Front wheel axle M12*1.25*250	1
3	401200-TJ7-000 F18.3	Speedometer gear assy	1
4	YF50*40*5 F18.4	Dust seal, front wheel	1
5	GB/T278 F18.5	Bearing 6201	2
6	401101-TJ7-000 F18.6	Central bush	1
7	YF37*23*7 F18.7	Dust seal	1
8	401101-TJ7-000 F18.8	Bush	1
9	GB/T 6187-1986 F18.9	Nut M12*1.25	1
10	GB2983-1997 F18.10	Tyre 130/60-13	1
11	401110-TJ7-000 F18.11	Front rim MT3.50*13	1
12	401010-TB9-000 F18.12	Valve	1
13	401100-TJ7-000 F18.13	Front rim assy.	1
14	404001-TJ7-000 F18.14	Brake disc	1
15	404002-TJ7-000 F18.15	Bolt	3
16	401006-TB9-000 F18.16	Right rubber cap	1
17	GB/T 818-1985 F18.17	Bolt M5*16	1

F19 Rear wheel

后轮

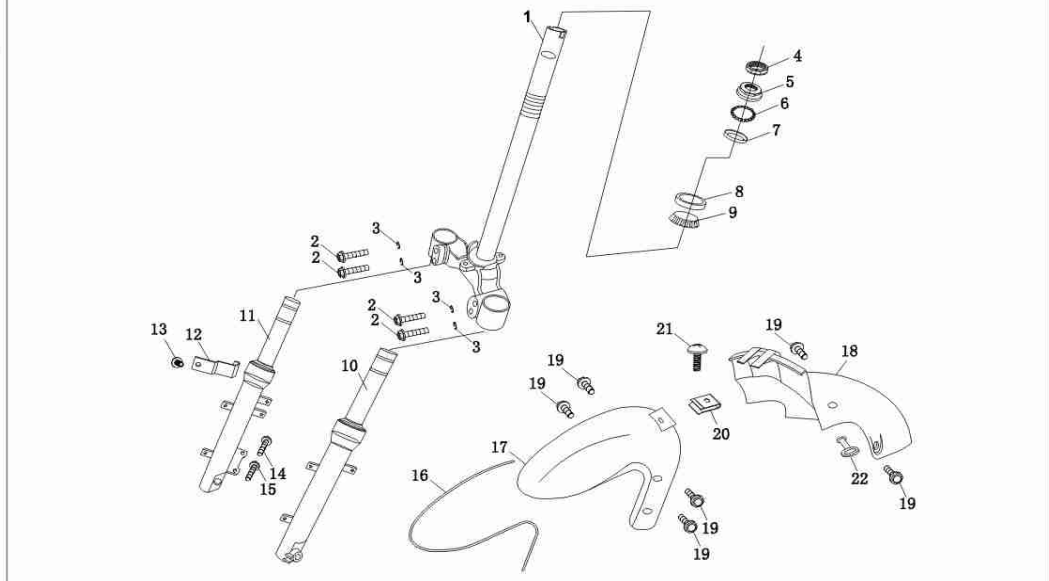


- 37 -

Bild Nr.:	Artiklenummer	Bezeichnung (e)	Menge
1	402110-TJ7-000 F19.1	Rear rim MT3.50*13	1
2	GB2983-1997 F19.2	Tyre 130/60-13	1
3	401010-TB9-000 F19.3	Valve	1
4	405001-TJ7-000 F19.4	Rear brake cam	1
5	405010-TJ7-000 F19.5	Rear brake lever assy.	1
6	GB/T 5789-1986 F19.6	Bolt M6*35	1
7	405100-TJ7-000 F19.7	Brake shoe assy.	1
8	405101-TJ7-000 F19.8	Rear brake redat spring	2
9	GB/T6187-1986 F19.9	Nut M16*1.5	1

F20 Front fork

前
叉

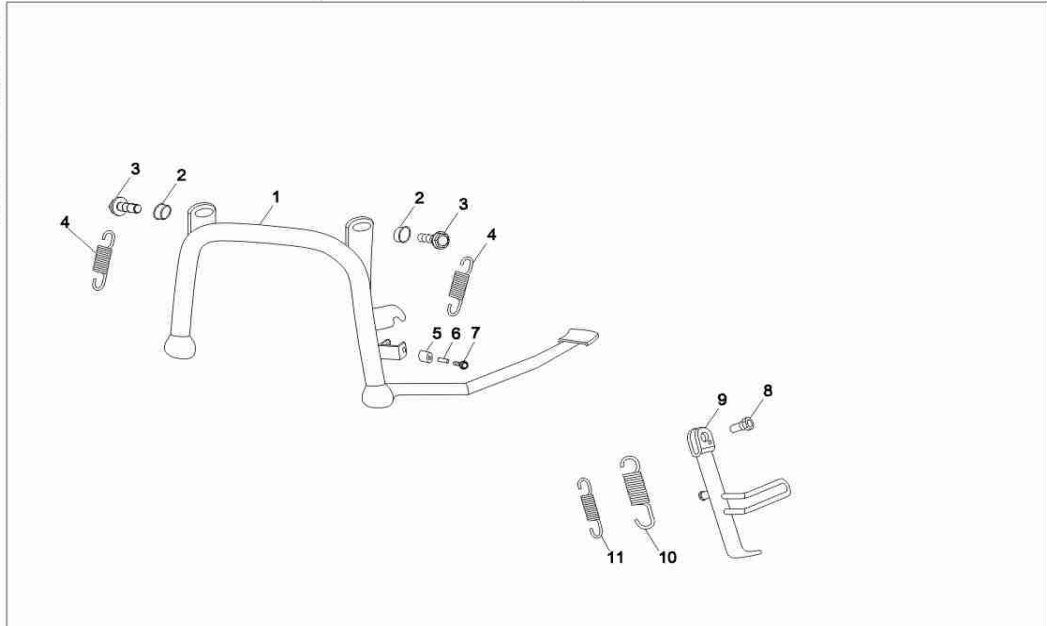


- 39 -

Bild Nr.:	Artiklenummer	Bezeichnung (e)	Menge
1	504100-TJ7-000 F20.1	Steering column welding assy.	1
2	GB/T 5789-1986 F20.2	Bolt M10*50	4
3	GB/T 93-1987 F20.3	Spring washer 10	4
4	504001-TJ7-000 F20.4	Lock nut	1
5	504002-TJ7-000 F20.5	Upper bearing top	1
6	504010-TJ7-000 F20.6	Fr. Ball steel assy	1
7	504003-TJ7-000 F20.7	Upper bearing top	1
8	504004-TJ7-000 F20.8	Bottom bearing cup	1
9	504005-TJ7-000 F20.9	Bottom bearing top	1
10	504300-TJ7-000 F20.10	Front shock absorber, left	1
11	504400-TJ7-000 F20.11	Front shock absorber, right	1
12	504030-TJ7-000 F20.12	Clip, front brake	1
13	GB/T 5789-1986 F20.13	Bolt M6*12	1
14	GB/T 5789-1986 F20.14	Bolt M8*25	1
15	GB/T 5789-1986 F20.15	Bolt M8*20	1
16	604103-TJ7-000 F20.16	Rubber strip, front fender	1
17	604101-TJ7-000 F20.17	Front part, front fender	1
18	604102-TJ7-000 F20.18	Rear part, front fender	1
19	GB/T 5789-1986 F20.19	Bolt M6*16	6
20	822060 F20.20	Clip nut M6	1
21	604106-TJ7-000 F20.21	Bolt M6*16	1
22	604105-TJ7-000 F20.22	Rubber quoit	1

F21 Center Stand Assy./Side Stand Assy.

主
支
架
/
侧
支
架

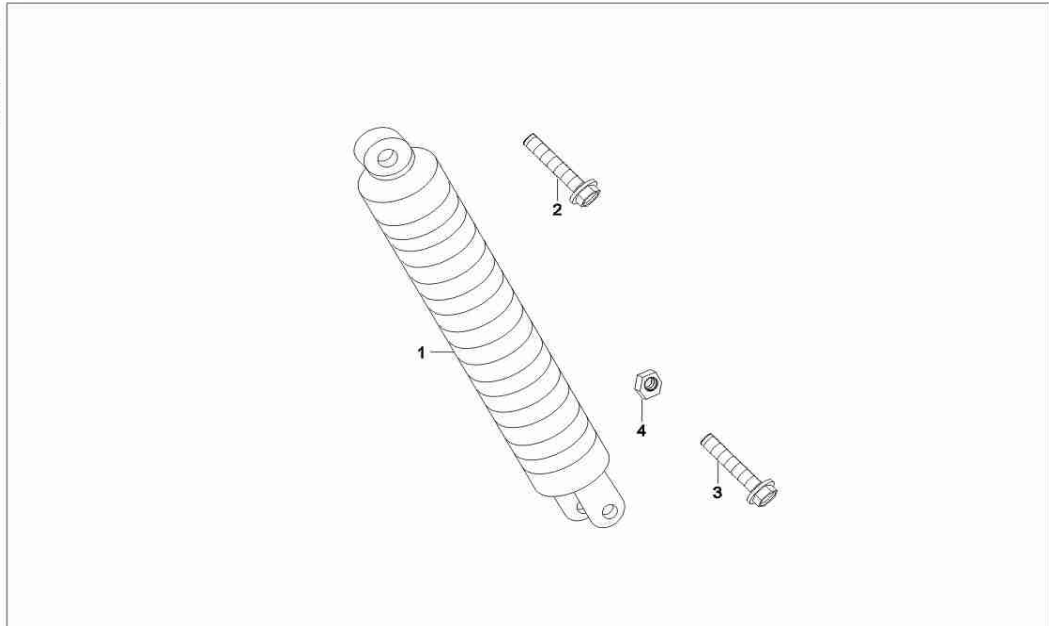


- 41 -

Bild Nr.:	Artiklenummer	Bezeichnung (e)	Menge
1	501210-TJ7-000 F21.1	Center stand assy.	1
2	501205-TJ7-000 F21.2	Bush, center stand	2
3	GB/T 5789-1986 F21.3	Bolt M10*1.25*25	2
4	501204-TJ7-000 F21.4	Spring, center stand	2
5	501202-TJ7-000 F21.5	Rubber, center stand	1
6	501206-TJ7-000 F21.6	Bush	1
7	GB/T 5789-1986 F21.7	Bolt M6*30	1
8	501301-TJ7-000 F21.8	Bolt	1
9	501310-TJ7-000 F21.9	Side stand assy.	1
10	501302-TJ7-000 F21.10	Spring A, side stand	1
11	501303-TJ7-000 F21.11	Spring B, side stand	1

F22 Rear shock absorber

后
减
震
器

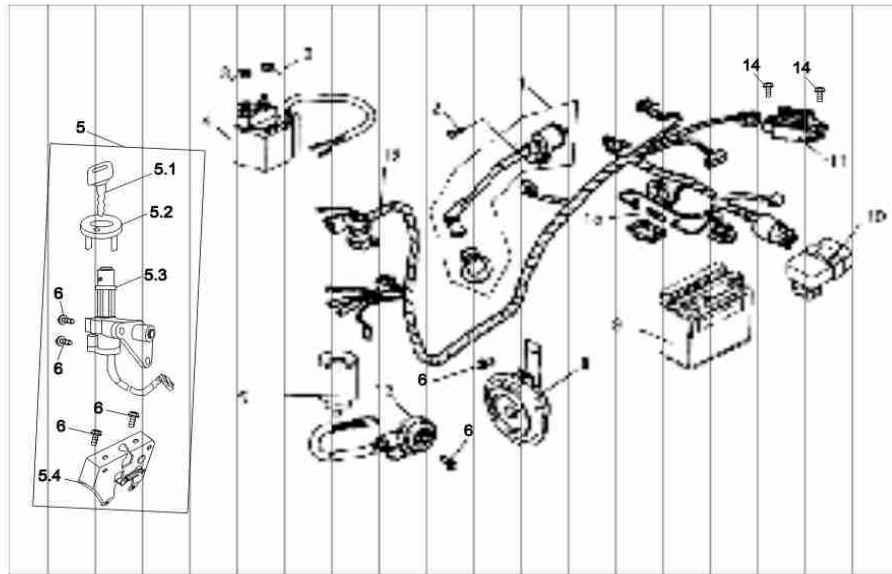


- 43 -

Bild Nr.:	Artiklenummer	Bezeichnung (e)	Menge
1	521100-TJ7-000 F22.1	Rear shock absorber	2
2	GB/T 5789-1986 F22.2	Bolt M10*1.25*40	2
3	GB/T 5789-1986 F22.3	Bolt M8*35	2
4	GB/T 6170-1986 F22.4	Nut M8	2

F23 Wire Harness

主
电
缆

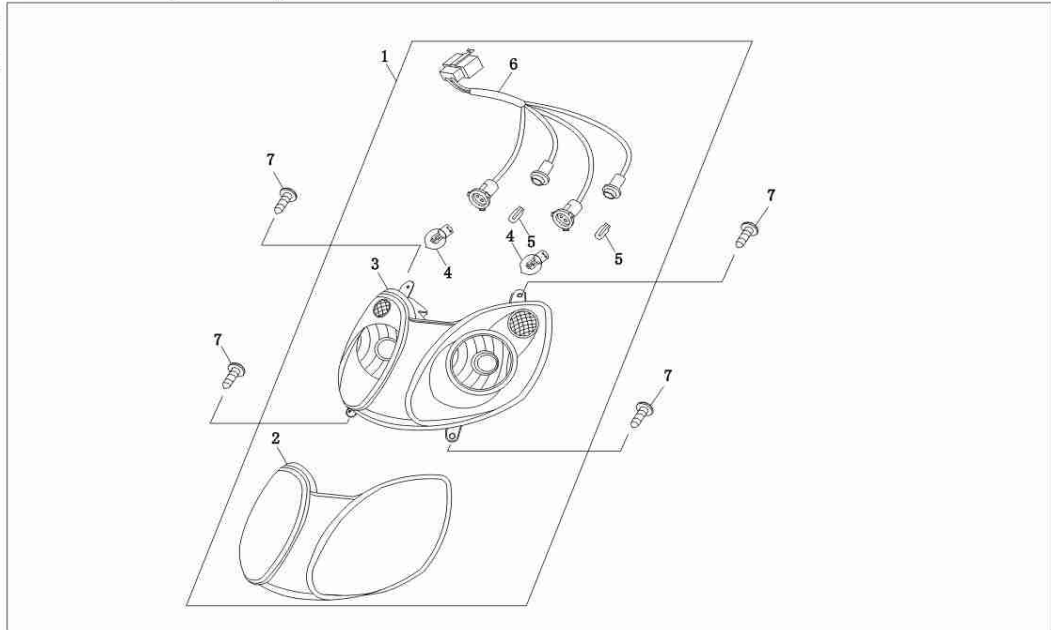


- 45 -

Bild Nr.:	Artikelnummer	Bezeichnung (e)	Menge
1	301200-TJ7-000 F23.1	Lgnition coil	1
2	GB/T 818-1985 F23.2	Screw M5*16	1
3	GB/T 6177-1986 F23.3	Nut M6	2
4	301400-TJ7-000 F23.4	Front fork	1
5	350000-TJ7-000 F23.5	Lock assy.	1
6	GB/T 5789-1986 F23.6	Bolt M6*16	6
7	301500-TJ7-000 F23.7	Flasher	1
8	302000-TJ7-000 F23.8	Horn	1
9	305000-TJ7-000 F23.9	Battery	1
10	301100-TJ7-000 F23.10	Electric ignition assy	1
11	301300-TJ7-000 F23.11	Rectifier adjuster	1
12	304100-TJ7-000 F23.12	Wiring assy.	1
13	330600-TJ7-000 F23.13	Off switch assy.	1
14	GB/T 5789-1986 F23.14	Bolt M6*12	2
15	304110-TJ7-000 F23.15	Fuse	1
5,1	350120-TJ7-000 F23.5.1	Key	1
5,2	350101-TJ7-000 F23.5.2	Ignition switch lock cover	1
5,3	350110-TJ7-000 F23.5.3	Ignition switch lock	1
5,4	350420-TJ7-000 F23.5.4	Seat lock	1

F24 Head Light Assy.

前
大
灯

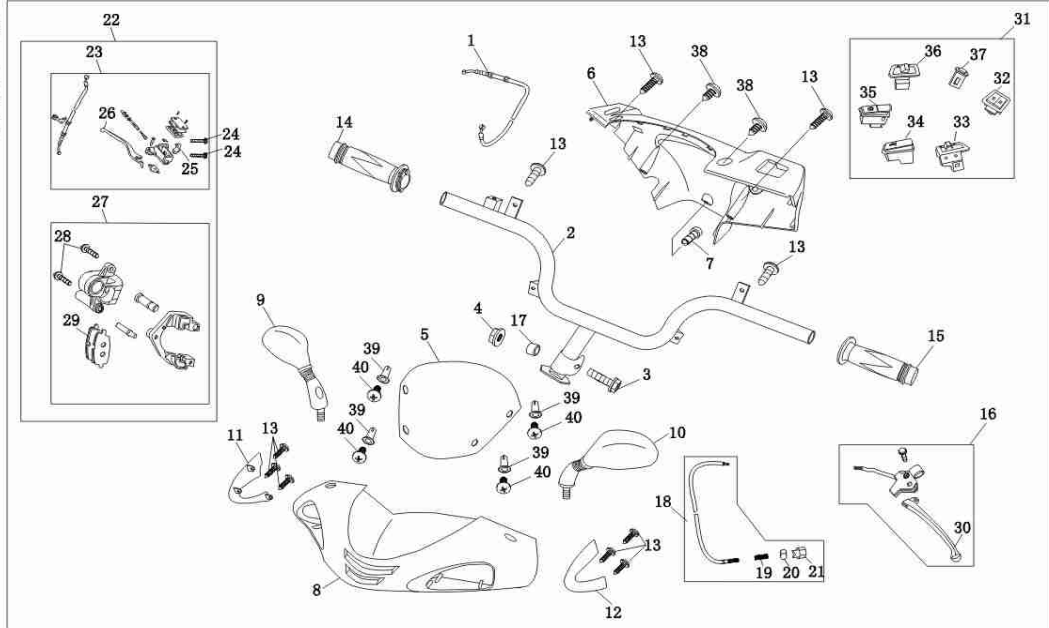


- 47 -

Bild Nr.:	Artiklenummer	Bezeichnung (e)	Menge
1	320000-TJ7-000 F24.1	Head Light Assy	1
2	320131-TJ7-000 F24.2	Head Light housing	1
3	320140-TJ7-000 F24.3	Head light base	1
4	320110-TJ7-000 F24.4	Head light bulb	1
5	320310-TJ7-000 F24.5	Position light bulb	1
6	320160-TJ7-000 F24.6	Head light cable	1
7	GB/T 845-1985 F24.7	Screw tapping ST4.2*13	4

F25 Operating System

操纵系统

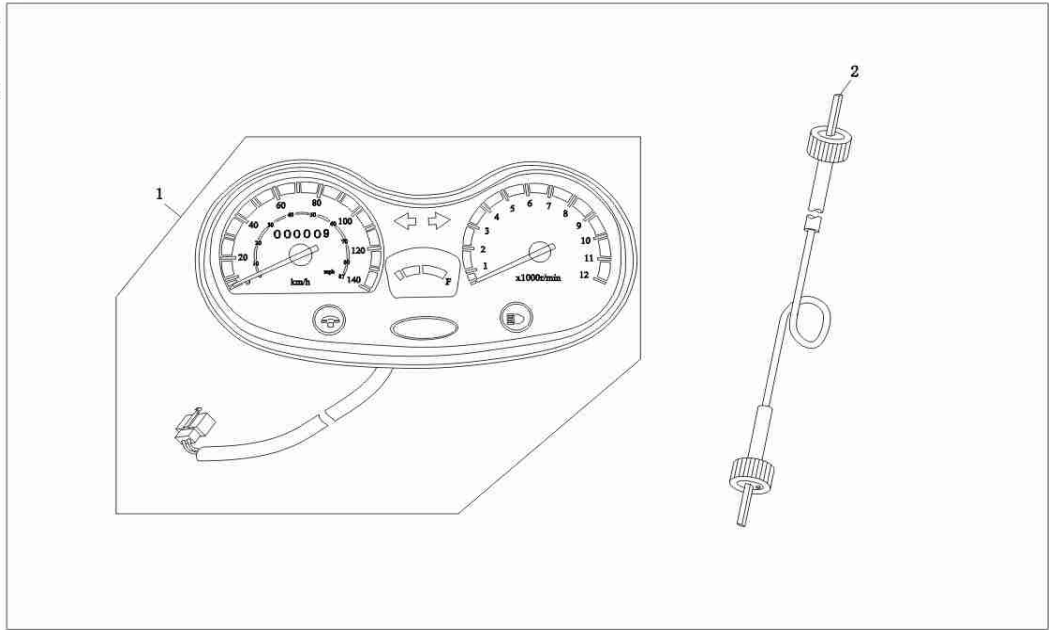


- 49 -

Bild Nr.:	Artikelnummer	Bezeichnung (e)	Menge
1	540400-TJ7-000 F25.1	Throttle link assy.	1
2	505100-TJ7-000 F25.2	Direction handle	1
3	GB/T 5789-1986 F25.3	Bolt M10*1.25*50	1
4	GB/T 6187-1986 F25.4	Nut M10*1.25	1
5	606101-TJ7-000 F25.5	Transmit cover	1
6	601102-TJ7-000 F25.6	Rear part , head cover	1
7	GB/818-1985 F25.7	Bolt M5*12	1
8	601101-TJ7-000 F25.8	Front part, head cover	1
9	610200-TJ7-000 F25.9	R. mirror comp back assy	1
10	610100-TJ7-000 F25.10	L. mirror comp back assy.	1
11	601106-TJ7-000 F25.11	R. protect mulch	1
12	601107-TJ7-000 F25.12	L. protect mulch	1
13	GB/T845-1985 F25.13	Screw tapping ST4.2*13	10
14	530400-TJ7-000 F25.14	Greaser assy	1
15	530300-TJ7-000 F25.15	Left grip assy	1
16	530510-TJ7-000 F25.16	L. handle base	1
17	505001-TJ7-000 F25.17	Bush	1
18	540200-TJ7-000 F25.18	Rear brake link assy	1
19	540201-TJ7-000 F25.19	Spring	1
20	540202-TJ7-000 F25.20	Joint brake arm	1
21	540203-TJ7-000 F25.21	Nut adgust	1
22	404000-TJ7-000 F25.22	Disk brake assy (fi.)	1
23	404100-TJ7-000 F25.23	Master cylinder assy.	1
24	GB/T5789-1986 F25.24	Bolt M6*22	2
25	404101-TJ7-000 F25.25	Master cylinder stator	1
26	530201-TJ7-000 F25.26	Front brake handle	1
27	404200-TJ7-000 F25.27	Caliper assy (fi.)	1
28	GB/T5789-1986 F25.28	Bolt M8*25	2
29	404210-TJ7-000 F25.29	Brake shoe assy. (fr.)	1
30	530101-TJ7-000 F25.30	Left handle	1
31	330000-TJ7-000 F25.31	Switch assy	1
32	330110-TJ7-000 F25.32	Change light switch	1
33	330120-TJ7-000 F25.33	Change direction switch	1
34	330130-TJ7-000 F25.34	Horn switch	1
35	330230-TJ7-000 F25.35	Electric start switch	1
36	330210-TJ7-000 F25.36	Light switch	1
37	330140-TJ7-000 F25.37	Wasrn switch	1
38	GB/T845-1985 F25.38	Screw tapping ST4.8*8	2
39	606102-TJ7-000 F25.39	Plastic screw base	4
40	GB/T 845-1985 F25.40	Screw tapping ST4.8*16	4

F26 Meter

仪
表

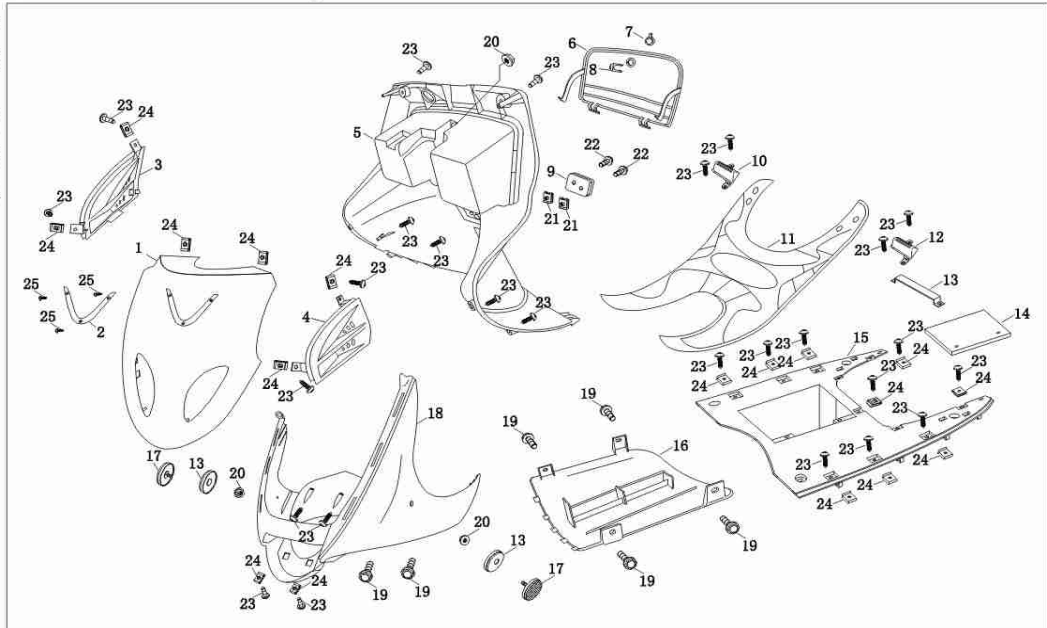


- 53 -

Bild Nr.:	Artiklenummer	Bezeichnung (e)	Menge
1	340000-TJ7-000 F26.1	Mater Assy.	1
2	541100-TJ7-000 F26.2	Odometer cable	1

F28 Front cover/Floor pedal

前罩
脚踏板

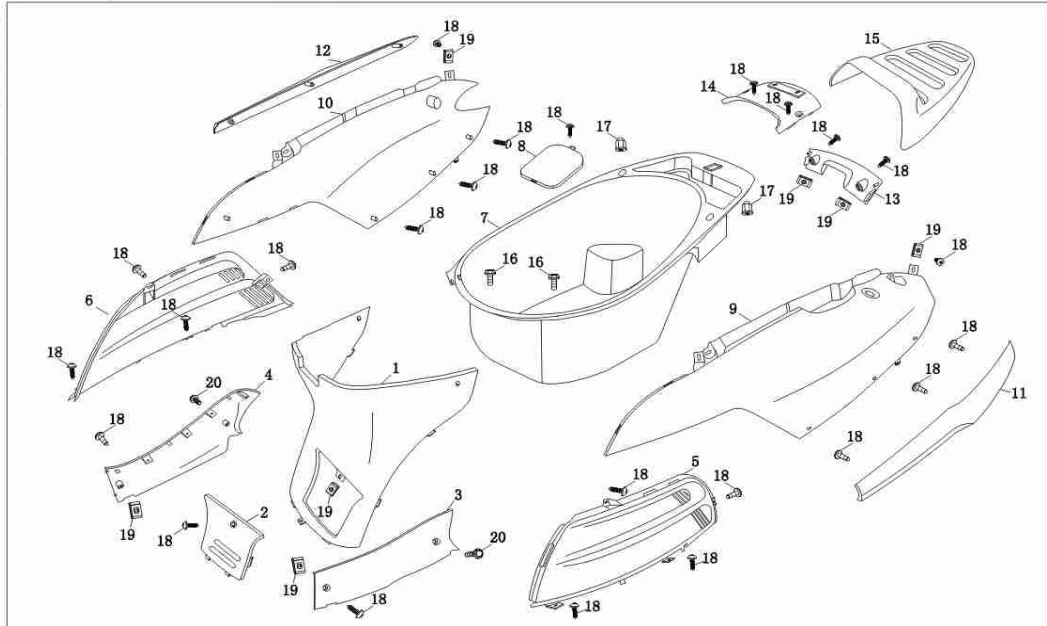


- 57 -

Bild Nr.:	Artikelnummer	Bezeichnung (e)	Menge
1	601103-TJ7-000 F28.1	Front Cover	1
2	60110A-TJ7-000 F28.2	Deck bar, front cover	1
3	601108-TJ7-000 F28.3	Aeration cover (L.), front cover	1
4	601109-TJ7-000 F28.4	Aeration cover (R.), front cover	1
5	601301-TJ7-000 F28.5	Fr. Luggage box assy.	1
6	601305-TJ7-000 F28.6	Fr. Luggage box cover	1
7	350810-TJ7-000 F28.7	Lock assy, Fr, luggage box	1
8	350801-TJ7-000 F28.8	Fixation patch, lock	1
9	601504-TJ7-000 F28.9	Hook, helmet	1
10	501521-TJ7-000 F28.10	Foot resting board (R.)	1
11	601411-TJ7-000 F28.11	Pedal rubber	1
12	501511-TJ7-000 F28.12	Foot resting board (L)	1
13	325001-TAA-000 F28.13	Rubber	2
14	601403-TJ7-000 F28.14	Battery box cover	1
15	601401-TJ7-000 F28.15	Pedal	1
16	601405-TJ7-000 F28.16	Bottom cover	1
17	325100-TJ7-000 F28.17	Reflector	2
18	601601-TJ7-000 F28.18	Boarding	1
19	GB/T5789-1986 F28.19	Bolt M6*12	6
20	GB/T6177-1986 F28.20	Nut M6	3
21	822050 F28.21	Clip nut M5	2
22	GB/T818-1985 F28.22	Bolt M5*16	2
23	GB/T845-1985 F28.23	Screw tapping ST4.2*13	20
24	821042 F28.24	Clip ST4.2	15
25	GB/T845-1985 F28.25	Screw tapping ST3.3*9	3

F29 Body Cover/Luggage Box

车体盖
置物箱

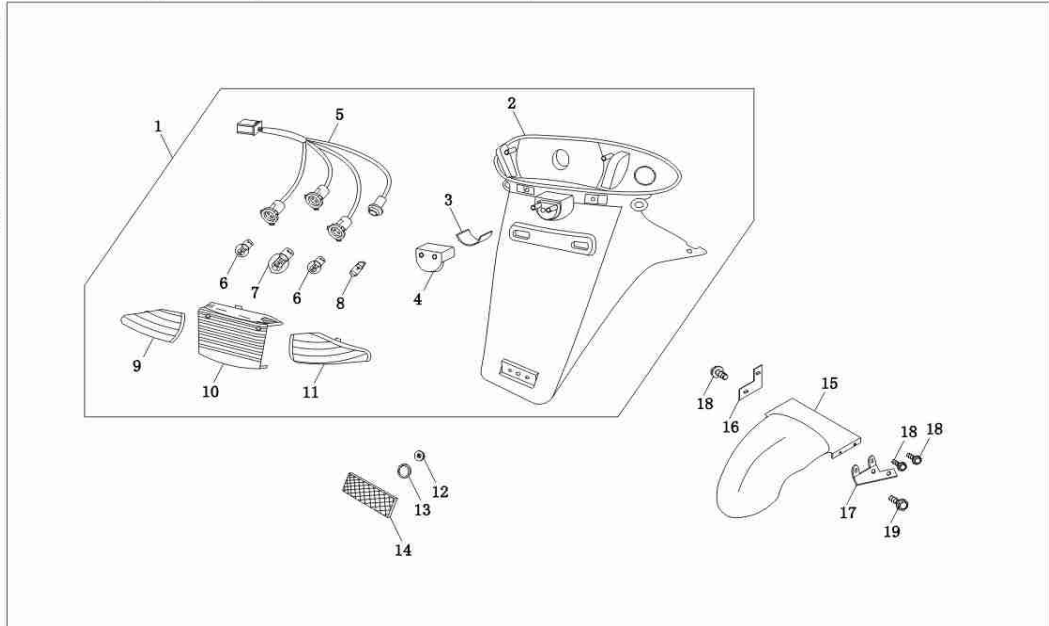


- 59 -

Bild Nr.:	Artiklenummer	Bezeichnung (e)	Menge
1	601503-TJ7-000 F29.1	Center cover	1
2	601506-TJ7-000 F29.2	Small cover, center cover	1
3	601603-TJ7-000 F29.3	Middle fender apron (L.)	1
4	601604-TJ7-000 F29.4	Middle fender apron (R.)	1
5	601204-TJ7-000 F29.5	Aeration cover, left body side	1
6	601205-TJ7-000 F29.6	Aeration cover, right body side	1
7	601501-TJ7-000 F29.7	Luggage box	1
8	601502-TJ7-000 F29.8	Inner cover, luggage box	1
9	601201-TJ7-000 F29.9	Left body side	1
10	601202-TJ7-000 F29.10	Right body side	1
11	601605-TJ7-000 F29.11	Rear fender apron (L.)	1
12	601606-TJ7-000 F29.12	Rear fender apron (R.)	1
13	601607-TJ7-000 F29.13	Middle fender apron, rear	1
14	601203-TJ7-000 F29.14	Center cover, rear	1
15	506302-TJ7-000 F29.15	Deck board, rear shelf	1
16	GB/T5789-1986 F29.16	Bolt M6*12	2
17	GB/T923-1988 F29.17	Nut M6	2
18	GB/T5789-1986 F29.18	Screw tapping ST4.2*13	23
19	821042 F29.19	Screw clip ST4.2	7
20	GB/T5789-1986 F29.20	Bolt M6*16	2

F30 Rear light assy./Rear fender assy.

尾灯
后挡泥板

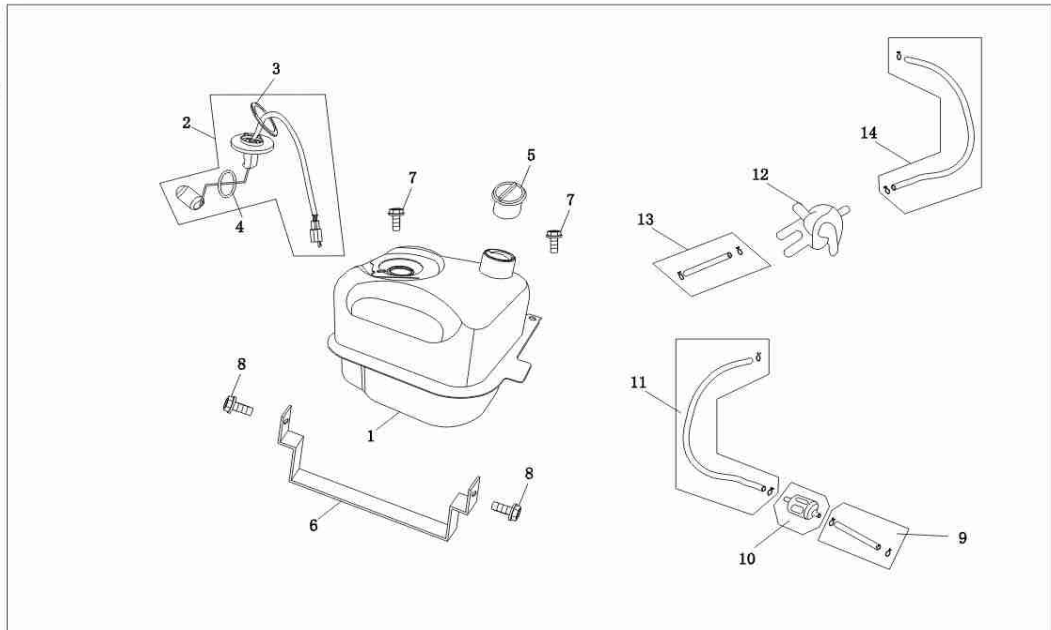


- 61 -

Bild Nr.:	Artikelnummer	Bezeichnung (e)	Menge
1	321000-TJ7-000 F30.1	Rear light assy	1
2	604210-TJ7-000 F30.2	Rear fender	1
3	321531-TJ7-000 F30.3	Bottom cover, license light	1
4	321520-TJ7-000 F30.4	Upper cover, license light	1
5	321160-TJ7-000 F30.5	Cable, rear light	1
6	322110-TJ7-000 F30.6	Bulb, rear winker	2
7	321110-TJ7-000 F30.7	Bulb, rear light	1
8	321510-TJ7-000 F30.8	Bulb, license light	1
9	323131-TJ7-000 F30.9	Cover, rear winker (L)	1
10	321131-TJ7-000 F30.10	Cover, rear light	1
11	323231-TJ7-000 F30.11	Cover, rear winker (R.)	1
12	GB/T6177-1986 F30.12	Nut M5	1
13	GB/T97.1-1985 F30.13	Washer 5	1
14	325200-TJ7-000 F30.14	Reflector	1
15	604206-TJ7-000 F30.15	Small fender	1
16	501009-TJ7-000 F30.16	Bracket, small fender (L)	1
17	50100A-TJ7-000 F30.17	Bracket, small fender (R.)	1
18	GB/T5789-1986 F30.18	Bolt M6*12	3
19	GB/T5789-1986 F30.19	Bolt M8*16	1

F31 Fuel Tank

油
箱

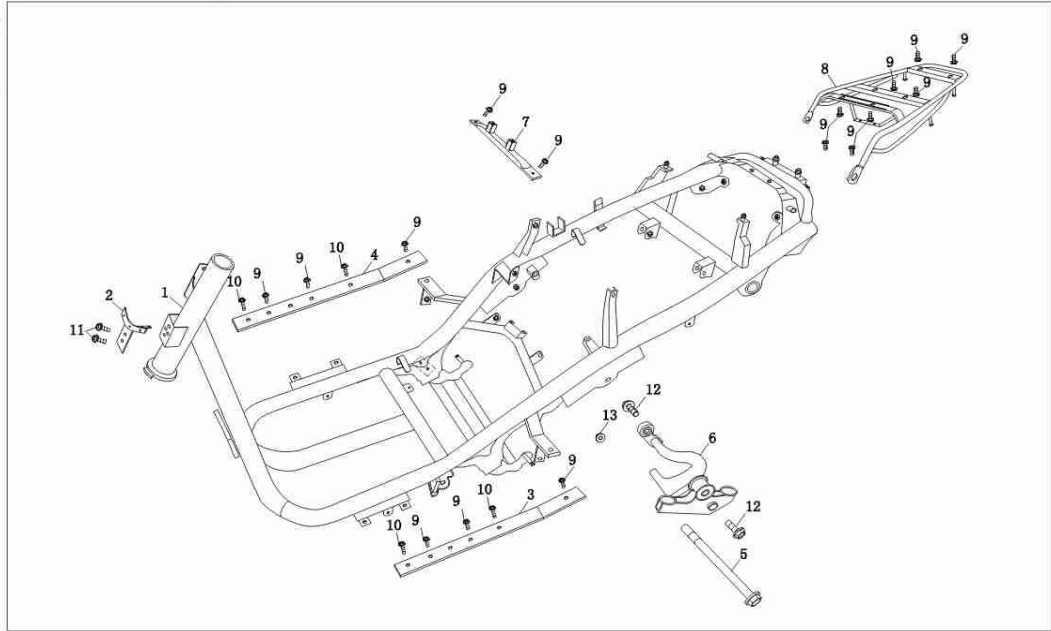


- 63 -

Bild Nr.:	Artiklenummer	Bezeichnung (e)	Menge
1	515010-TJ7-000 F31.1	Tank welding assy	1
2	515200-TJ7-000 F31.2	Fuel transmitter	1
3	515202-TJ7-000 F31.3	Tramsmitter pressable cover	1
4	515201-TJ7-000 F31.4	Rubber	1
5	350300-TJ7-000 F31.5	Fuel cover assy	1
6	5010A1-TJ7-000 F31.6	Assembling board welding assy	1
7	GB/T5789-1986 F31.7	Bolt M6*12	2
8	GB/T5789-1986 F31.8	Bolt M8*12	2
9	515130-TJ7-000 F31.9	Tube A	1
10	515120-TJ7-000 F31.10	Fuel filter	1
11	515140-TJ7-000 F31.11	Tube B	1
12	515110-TJ7-000 F31.12	Fuel switch assy.	1
13	515150-TJ7-000 F31.13	Tube, negative pressure	1
14	515160-TJ7-000 F31.14	Tube, reflux	1

F32 Frame Body

车
架

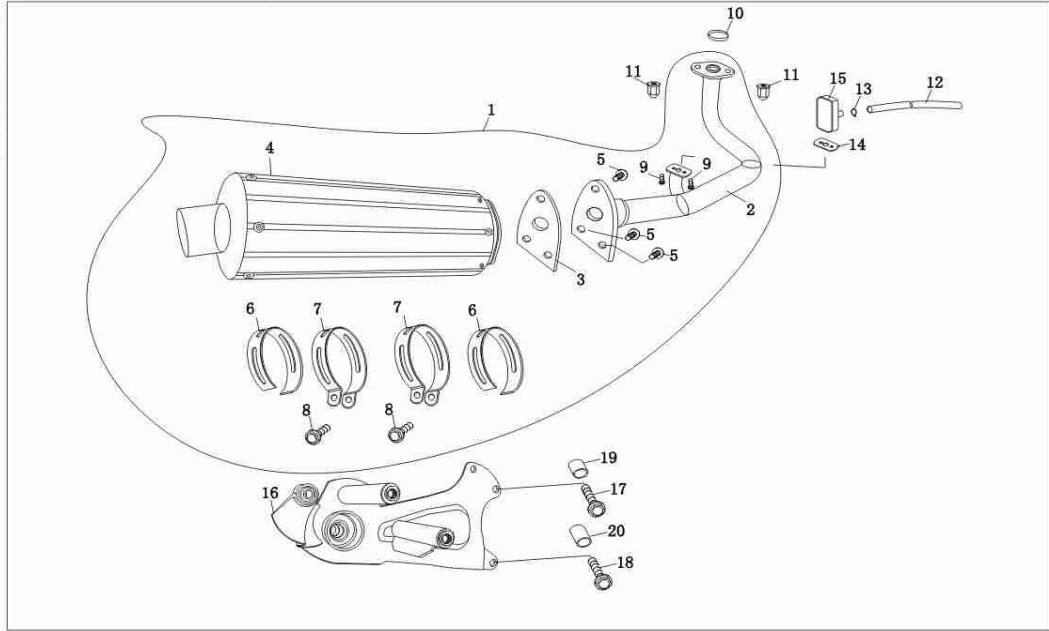


- 65 -

Bild Nr.:	Artikelnummer	Bezeichnung (e)	Menge
1	501100-TJ7-000 F32.1	Frame welding assy	1
2	501030-TJ7-000 F32.2	Bracket welding assy, horn	1
3	501060-TJ7-000 F32.3	Bracket (L), pedal	1
4	501070-TJ7-000 F32.4	Bracket (R.), pedal	1
5	501703-TJ7-000 F32.5	Axis M10*1.25*185	1
6	501710-TJ7-000 F32.6	Hanging rack welding assy	1
7	5010B0-TJ7-000 F32.7	Bracket, luggage box	1
8	506310-TJ7-000 F32.8	Bracket, carrier	1
9	GB/T5789-1986 F32.9	Bolt M6*12	14
10	GB/T5789-1986 F32.10	Bolt M6*20	4
11	GB/T5789-1986 F32.11	Bolt M8*12	2
12	GB/T5789-1986 F32.12	Bolt M10*1.25*55	2
13	GB/T6177-1986 F32.13	Bolt M10*1.25	1

F33 Muffler Welding Assy.

排气消声器

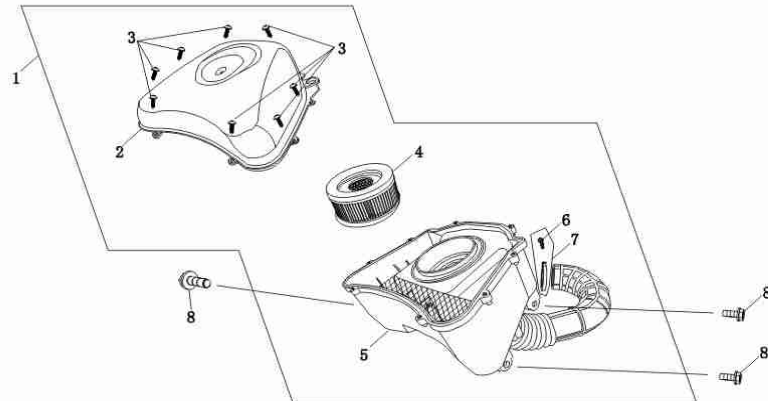


- 67 -

Bild Nr.:	Artikelnummer	Bezeichnung (e)	Menge
1	182100-TJ7-000 F33.1	Muffler welding assy.	1
2	182110-TJ7-000 F33.2	Muffler welding assy. Front body	1
3	182120-TJ7-000 F33.3	Paper gasket	1
4	182131-TJ7-000 F33.4	Muffler welding , rear body	1
5	GB/T70-1985 F33.5	Screw M8*20	3
6	182134-TJ7-000 F33.6	Fixing rubber	2
7	182133-TJ7-000 F33.7	Fixing clip	2
8	GB/T5789-1986 F33.8	Bolt M8*25	2
9	GB/T818-1985 F33.9	Screw M6*12	2
10	182010-TJ7-000 F33.10	Muffler welding gasket	1
11	GB/T923-1988 F33.11	Nut M6*35	2
12	182201-TJ7-000 F33.12	Tube	1
13	KH21.5*2 F33.13	Clip tube	1
14	182220-TJ7-000 F33.14	Gasket	1
15	182210-TJ7-000 F33.15	Control valve	1
16	409210-TJ7-000 F33.16	Fixing board	1
17	GB/T5789-1986 F33.17	Bolt M8*35	1
18	GB/T5789-1986 F33.18	Bolt M8*40	1
19	409202-TJ7-000 F33.19	Bush, upper	1
20	409203-TJ7-000 F33.20	Bush, lower	1

F34 Air Cleaner

空
滤
器

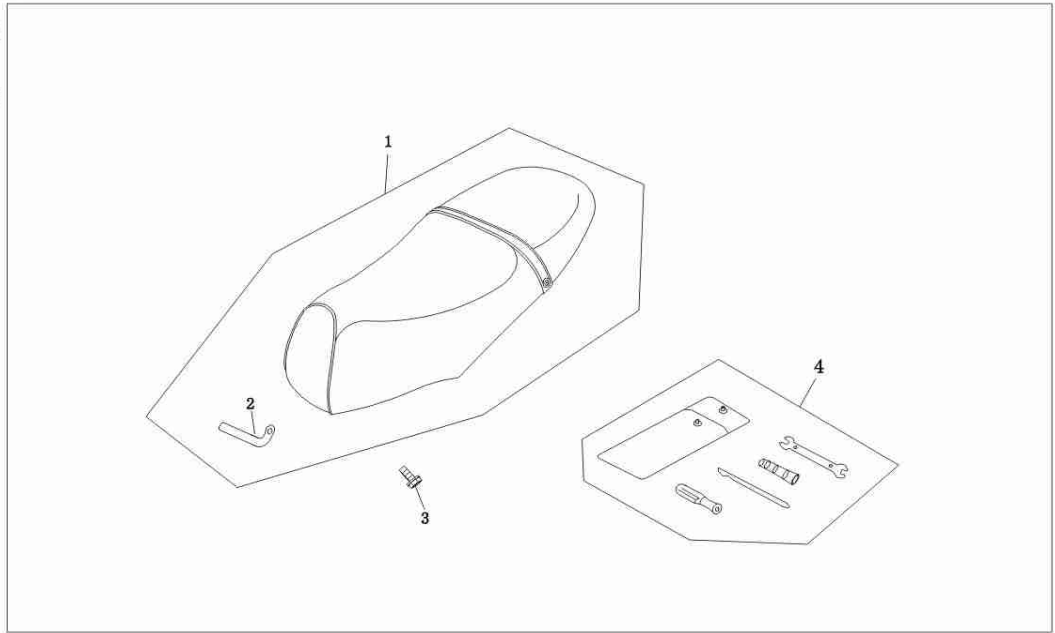


- 69 -

Bild Nr.:	Artiklenummer	Bezeichnung (e)	Menge
1	172000-TJ7-000 F34.1	Air cleaner assy.	1
2	172102-TJ7-000 F34.2	Air cleaner cover	1
3	GB/T845-1986 F34.3	Screw tapping ST4.8*16	6
4	172200-TJ7-000 F34.4	Strainer core	1
5	172101-TJ7-000 F34.5	Air cleaner crust	1
6	GB/T818-1985 F34.6	Bolt M5*35	1
7	172410-TJ7-000 F34.7	Clip	1
8	GB/T5789-1986 F34.8	Bolt M6*16	3

F35 Seat

座
垫

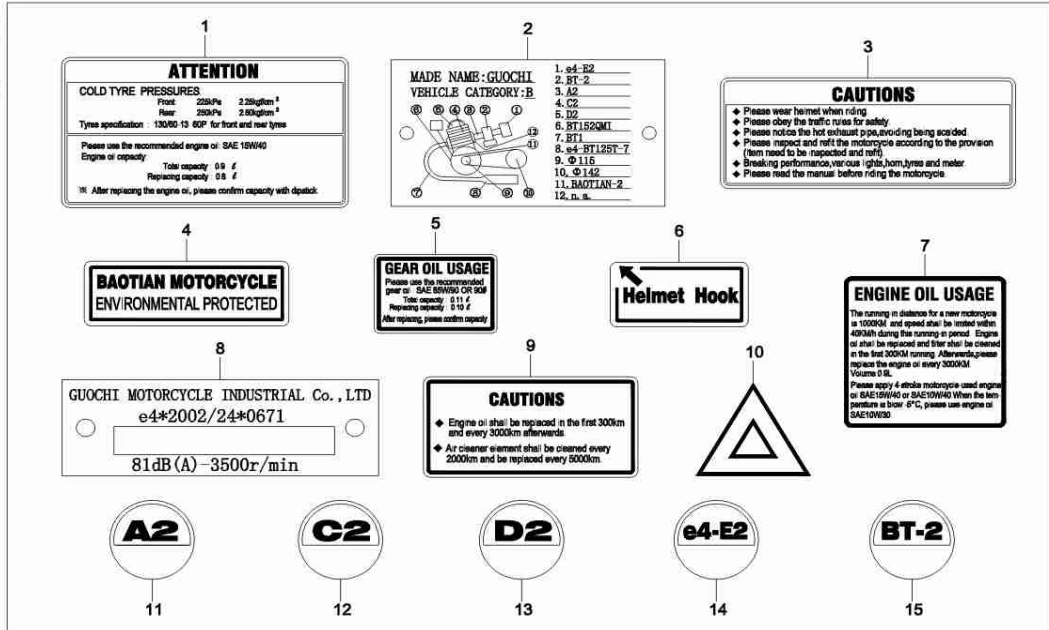


-71 -

Bild Nr.:	Artiklenummer	Bezeichnung (e)	Menge
1	701000-TJ7-000 F35.1	Seat assy	1
2	701001-TJ7-000 F35.2	Shaft	1
3	GB/T5789-1986 F35.3	Bolt M6*12	1
4	801000-TJ7-000 F35.4	Tool set	1

F36 Mark

贴花



F36 Mark

贴花

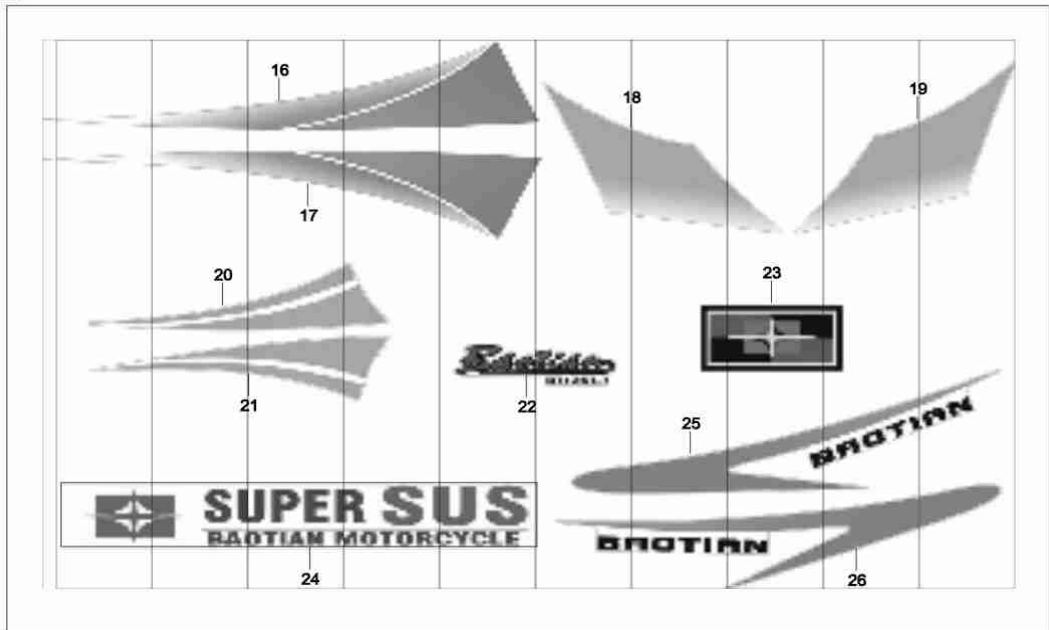


Bild Nr.:	Artikelnummer	Bezeichnung (e)	Menge
1	830301-TJ7-000 F36.1	Mark, central cover	1
2	830108-TJ7-000 F36.2	Scutcheon, anti-tampering	1
3	830304-TB9-000 F36.3	Mark B, head cover	1
4	830302-TB9-000 F36.4	Mark A, head cover	1
5	830306-TB9-000 F36.5	Gear oil mark	1
6	830305-TB9-000 F36.6	Mark, helmet hook	1
7	830307-TJ7-000 F36.7	Engine oil mark	1
8	830101-TJ7-000 F36.8	Engine oil mark	1
9	830308-TB9-000 F36.9	Nameplate, main frame	1
10	830316-TB9-000 F36.10	Air cleaner mark	1
11	830309-TJ7-000 F36.11	Mark, triangle	1
12	830312-TJ7-000 F36.12	Mark A2	1
13	830313-TJ7-000 F36.13	Mark C2	1
14	830311-TJ7-000 F36.14	Mark D2	1
15	830315-TJ7-000 F36.15	Mark e4-E2	1
16	830203-TJ7-000 F36.16	Mark BT-2	1
17	830204-TJ7-000 F36.17	Applique, left cvoer	1
18	830218-TJ7-000 F36.18	Applique, right cvoer	1
19	830219-TJ7-000 F36.19	Nether applique, left front boarding	1
20	830208-TJ7-000 F36.20	Nether applique, right front boarding	1
21	830209-TJ7-000 F36.21	Upper applique, left frot boarding	1
22	830221-TJ7-000 F36.22	Upper applique, right frot boarding	2
23	830317-TB9-000 F36.23	Type mark, side cvoer	1
24	830213-TB9-000 F36.24	Crystalline mark, front cover	2
25	830222-TJ7-000 F36.25	Applique, middle side boarding (L.)	1
26	830223-TJ7-000 F36.26	Applique, middle side boarding (R.)	1