

# **Ersatzteile Handbuch**

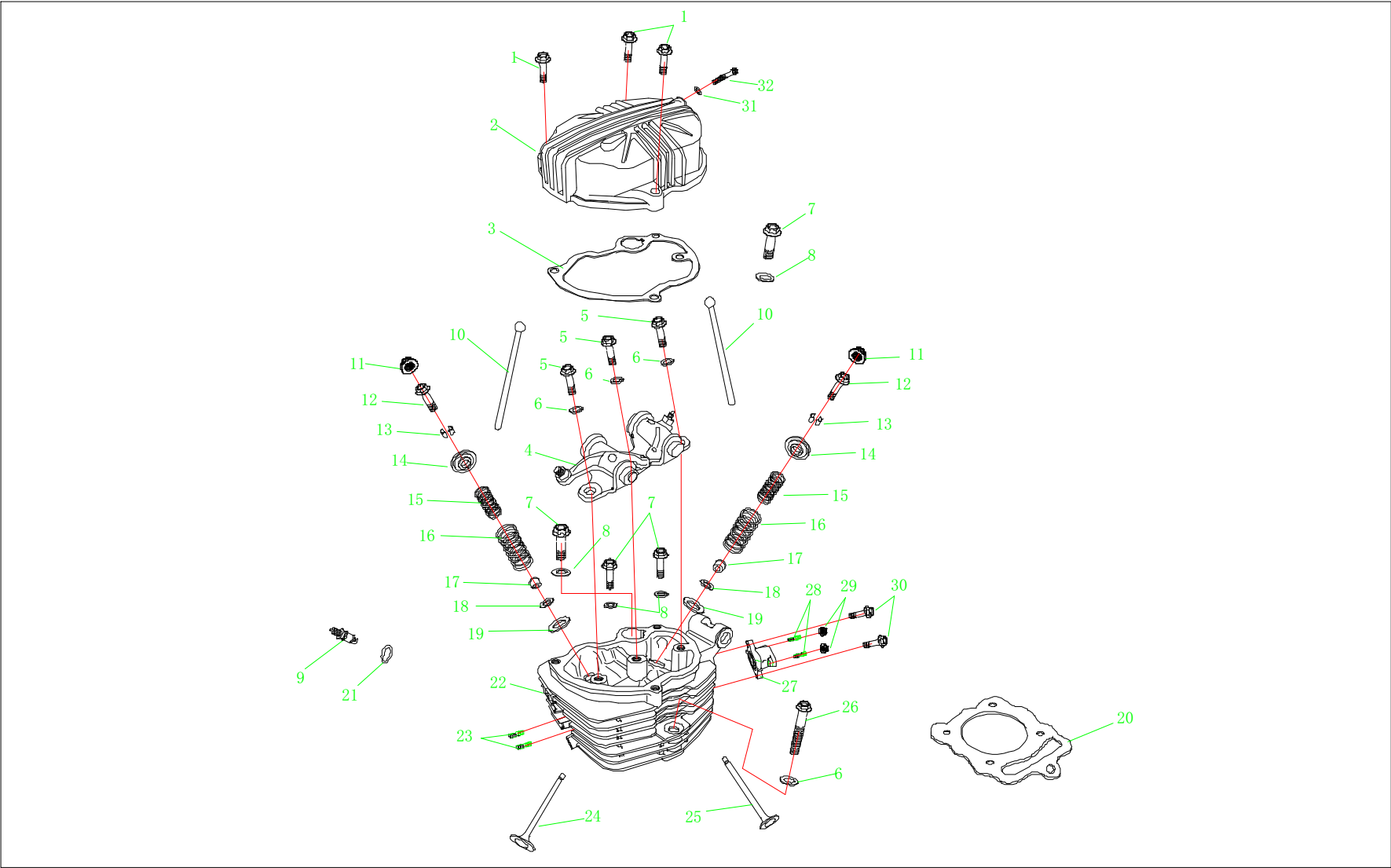
BT125-3CM  
„Chopper“

## CONTENTS

<p>F1 Εθ,×Ç×Ü³É(Cylinder Head Cover) ... ..</p> <p>F2 Εθ,×Îá•Ö×Ü³É(Cylinder )... ..</p> <p>F3 ÇúÖáíáÓÖ,Ç×Ü³É(Crankcase R.Cover)... ..</p> <p>F4 ÓÖÇúÖáíáÖ×Ü³É(R.Crankcase )... ..</p> <p>F5 ×óÇúÖáíáÖ×Ü³É(L.Crankcase ) ... ..</p> <p>F6 ÇúÖáíá×ó,Ç×Ü³É(Crankcase L.Cover)... ..</p> <p>F7 »íÈúÁ-,ÉÇúÖáÖ×Ü³É(Crankshaft Comp.)... ..</p> <p>F8 ±áÈÜÆ±½ÁÆ»ú»úÖ×Ü³É(Gearshift,Kick Starter Comp.)...</p> <p>F9 Æ° ÎÆ÷•Ö×Ü³É(Clutch)... ..</p> <p>F10 »úÓÍ±ÁÖ×Ü³É(Oil Pump Assy.)... ..</p> <p>F11 Εθ»µφ»ú•Ö×Ü³É( Starter Motor)... ..</p> <p>F12 ´Áµφ»ú¼°µφÆ±ÆÖ×Ü³É(Generator) ... ..</p> <p>F13 »-ÓÍÆ±Ö×Ü³É(Carburetor Assy.)... ..</p> <p>F14 ²Ü×ÝÈÖ° Ñ/¿¹θ/,ÖÈ÷×¼þ(Throttle, Switch, Cable) ...</p> <p>F15 ÒÇ±í×¼þ(Meter Assy).....</p> <p>F16 Ç° ´óµÆ×¼þ(Headlight Assy) ... ..</p> <p>F17. •½Ïòù Ç° %òòðÆ÷×¼þ(Steering column,Front shock Absorber) ...</p> <p>F18 Ç° ÆÖ×¼þ(Front Wheel comp) ... ..</p>	<p>1</p> <p>5</p> <p>7</p> <p>9</p> <p>11</p> <p>15</p> <p>17</p> <p>19</p> <p>25</p> <p>27</p> <p>29</p> <p>31</p> <p>33</p> <p>35</p> <p>37</p> <p>39</p> <p>41</p> <p>43</p>	<p>F19 •½Ïò° Ñ×¼þ(Steering bar assy) ... ..</p> <p>F20 °óò»µÆ÷×¼þ(Rear Brake Panel Assy)... ..</p> <p>F21 °óÁÖ×¼þ(Rear wheel)... ..</p> <p>F22 È¼ÓÍá×¼þ(Fuel )... ..</p> <p>F23 ×ùµæ×¼þ(Seat)... ..</p> <p>F24 ÆÆθÏúÈ÷×¼þ(EX Muffler comp)... ..</p> <p>F25 °ó¼òòðÆ÷×¼þ(Rear shock absorber) ... ..</p> <p>F26 °óÆ½² æ ´°Ð×¼þ(Rear Swinging Arm,Chain Case)...</p> <p>F27 ðò»µÆÇáÆ÷×¼þ(Air cleaner) ... ..</p> <p>F28 °óÍ² µÆ×¼þ(Taillight Assy) ... ..</p> <p>F29 Ç° ×ªÏòµÆ×¼þ(Front turn signal lights)... ..</p> <p>F30 °ó»ò¼Û °óµ² Æò° á(Rear fender,Luggage carrier) .</p> <p>F31 Í£³ µ¼Û È²³ µÏÖ° á×¼þ(Stand,Rear Brake Pedal Comp),Ç×¼þ(Side Cover Assy) ... ..</p> <p>F33 ³µ¼Û×¼þ(Frame Assy) ... ..</p> <p>F34 µφΛ•Ö÷ÍΒ×¼þ(Wire Harness Assy) ... ..</p> <p>F35 ±èÏù(Mark) ... ..</p>	<p>45</p> <p>47</p> <p>49</p> <p>51</p> <p>53</p> <p>55</p> <p>57</p> <p>59</p> <p>61</p> <p>63</p> <p>65</p> <p>67</p> <p>69</p> <p>71</p> <p>73</p> <p>75</p> <p>77</p>
---	---	--	---

F1

Cylinder Head Cover



Đò °Å	Ãã × ¢¼p Í¼ °Å	ÖÐ ÎÃ Ãû³Æ	Ó¢ ÎÃ Ãû³Æ	Êý Á¿
No.	Component and Part No.	Chinese Name	English Name	Quantity
1	GB5787-6X28C	ÁÝË· M6X28	Bolt M6x28	3
2	101101-156FMI-000	Æø,×Í,Ç	Cylinder Head Cover	1
3	101104-156FMI-000	Æø, × Í • , ÇÃÛ • âµæ	Gasket, Cylinder Head Cover	1
4	109210-156FMI-000	ÆøÃÃÖ¼±ÜÖ§¼Ü×¢¶	Rocker Arm Holder	1
5	GB5783-8X28Y	½ÃÖÆ¿×ÓÃÁÝË·	Bolt	3
6	101216-156FMI-000	ÃÛ·âµæË! 8	Sealing Washer 8	4
7	101206-156FMI-000	Æø,×,ÇÃÝË·	Bolt	4
8	101207-156FMI-000	Æø,×,ÇµæË! 12	Washer 12	4
9	122100-156FMI-000	»ð»Êû	Spark Plug	1
10	109300-156FMI-000	ÍÆ,Ë×¢¼p	Push Rod	2
11	109203-156FMI-000	ÆøÃÃËËø½óÃÝÃ,	Lock Nut	2
12	109204-156FMI-000	ÆøÃÃµ-ÖüÃÝ¶	Adjusting Screw	2
13	109112-156FMI-000	ÆøÃÃËËø¼D	Valve Cotter	4
14	109113-156FMI-000	ÆøÃÃµ-»ÉÃ	Valve Spring Retainer	2
15	109114-156FMI-000	ÆøÃÃÃÛµ-»É	Inner Spring,Valve	2
16	109115-156FMI-000	ÆøÃÃÃµµ-»É	Outer Spring,Valve	2
17	YF5.5X11X8.3	ÓÍ·á	Oil Seal	2
18	109117-156FMI-000	ÆøÃÃÃÛµ-»ÉµæË!	Washer,Inner Spring	2
19	109116-156FMI-000	ÆøÃÃÃµµ-»ÉµæË!	Washer,Outer Spring	2
20	124010-156FMI-000	,×Í·µæ	Gasket, Cylinder Head	1
21	GB3452.1-10X1.6	ÖÐÎË!10X1.6	O-Ring 10X1.6	2
22	101200-156FMI-000	Æø,×Í×¢¶	Cylinder Head	1
23	101205-156FMI-000	ÃÃÆø·ÜË·Í·ÁÝË·	Stud M6X22	2
24	109111-156FMI-000	½øÆøÃÃ	Intake Valve	1

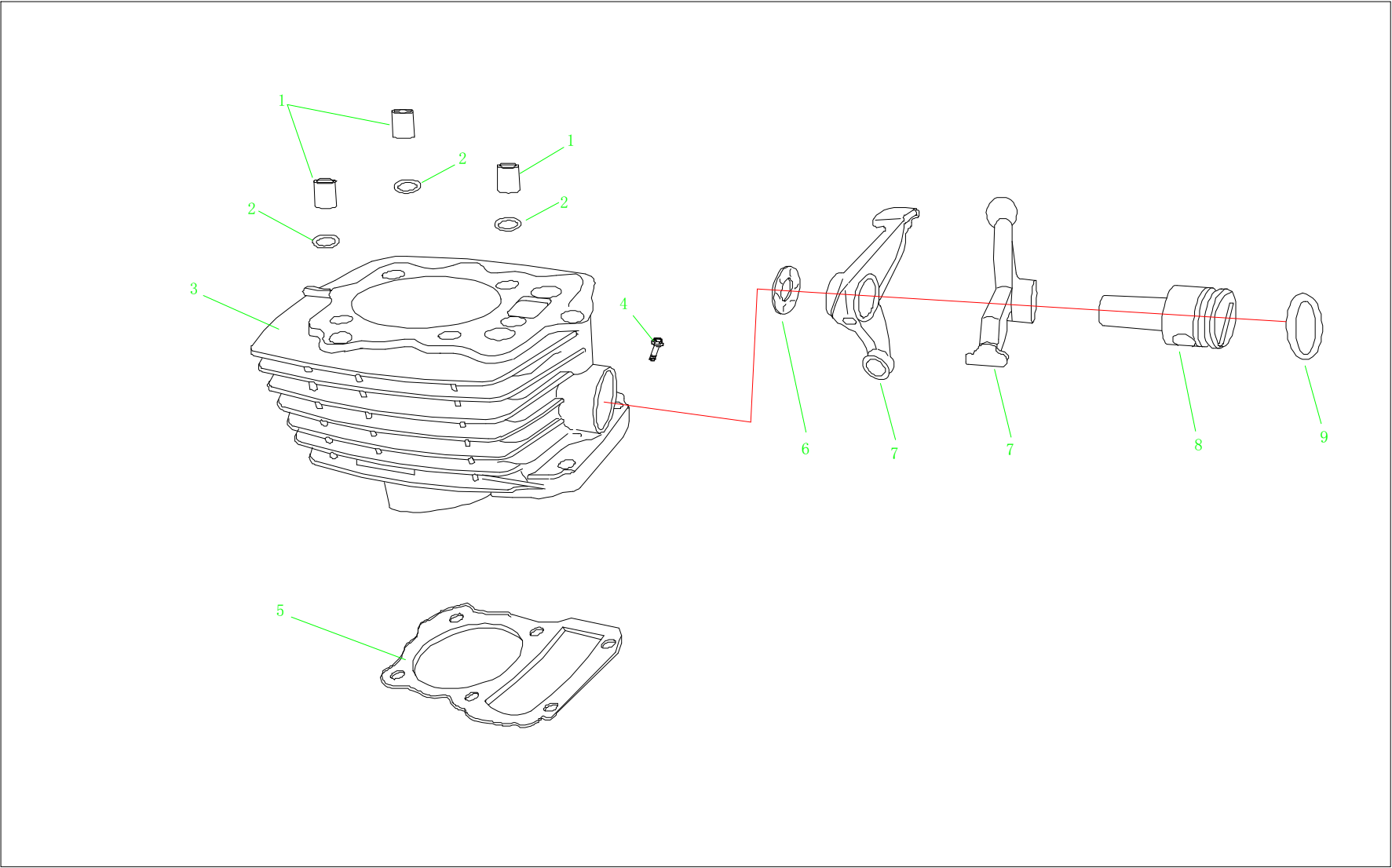
F1

© ERING ERGOLDING



F2

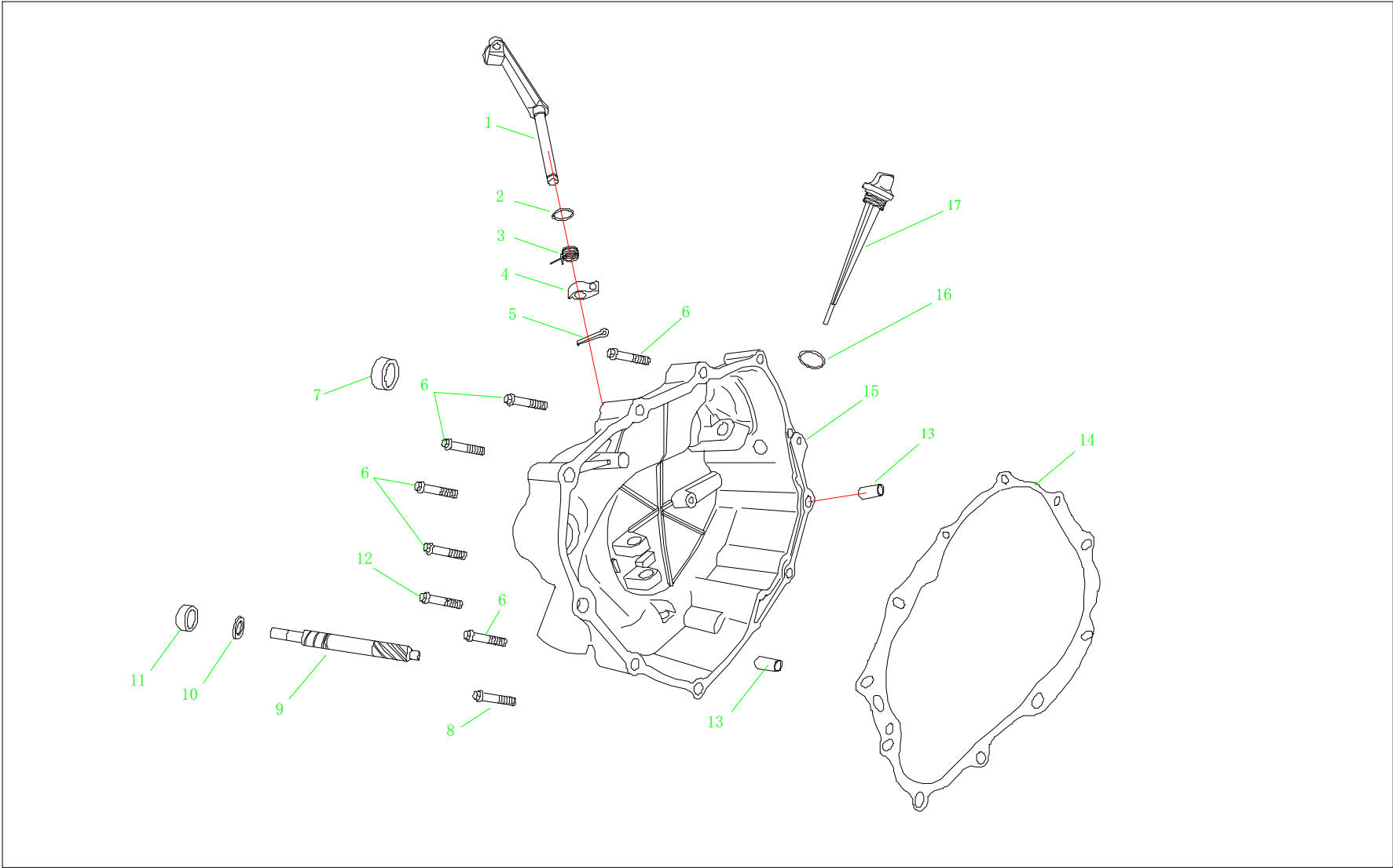
Cylinder





F3

R. Crankcase Cover



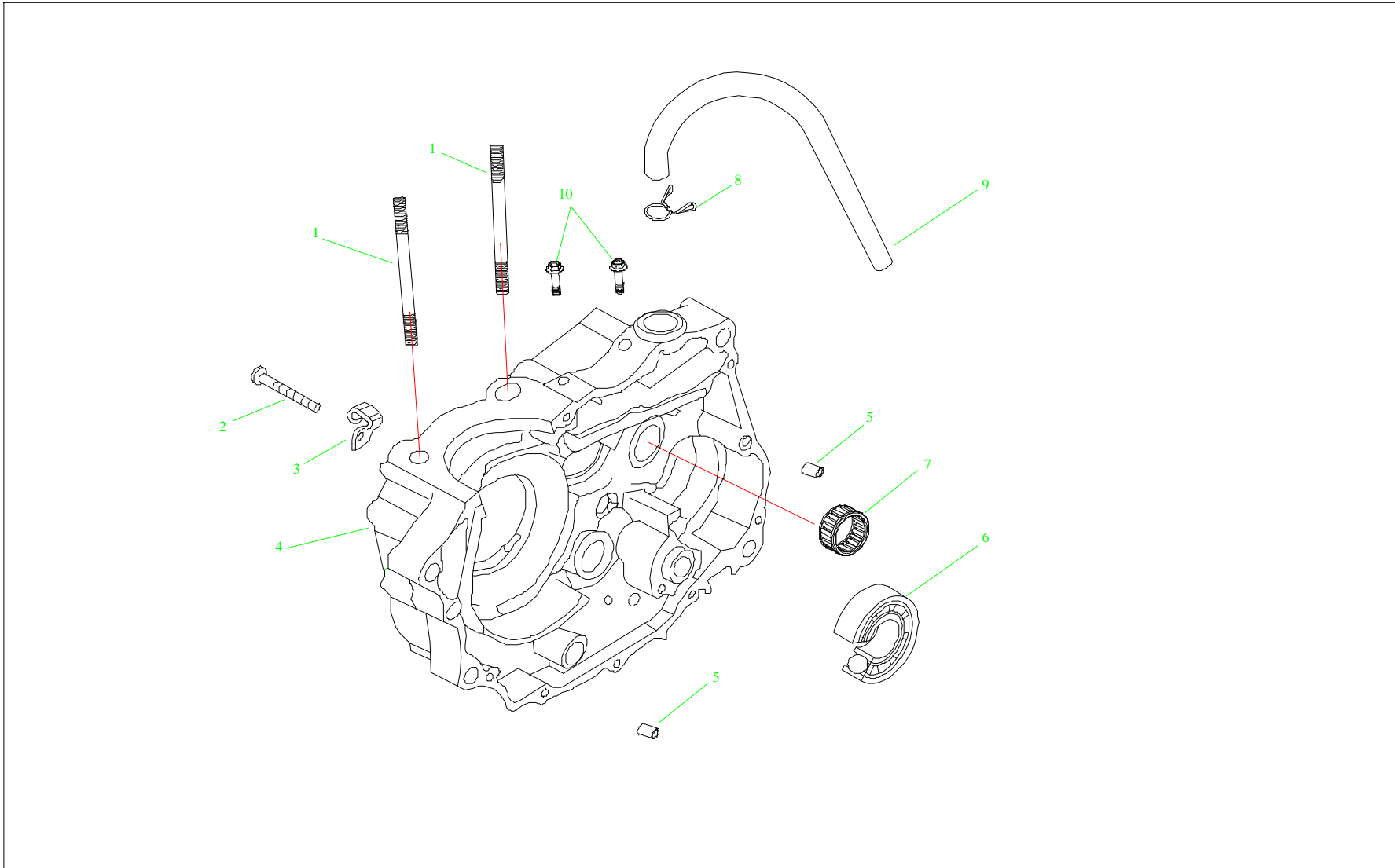
Đò °Å	Ãã × ¼p Í¼ °Å	ÖD ÎÄ Äû ³E	Óç ÎÄ Äû ³E	Êý Áç
No.	Component and Part No.	Chinese Name	English Name	Quantity
1	106110-156FMI-000	Àè°LE÷ÖÀè,Ê×çÍ	Clutch Lever Comp.	1
2	GB3452.1-6.8X1.9	ÖDÎÈ:6.8X1.9	O-Ring 6.8X1.9	1
3	106111-156FMI-000	Àè°LE÷ÖÀè,Êµ»É	Spring,Clutch Lever	1
4	106112-156FMI-000	Àè°LE÷Êý¼µÍÁÖ	Cam,Clutch	1
5	GB91-2X14	Ïú2X14	Pin 2X14	1
6	GB5787-6X40C	ÂÝÈ M6X40	Bolt M6X40	10
7	YF16X28X7	ÆÖ¶ ÖãÓÍã16X28X7	Oil Seal 16X28X7	1
8	GB5787-6X50C	ÂÝÈ M6X50	Bolt M6X50	1
9	106113-156FMI-000	×ÈÛ±FÝÁÖ	Tachometer Gear	1
10	106114-156FMI-000	ÖÍÆµæÈ	Thrust Washer	1
11	YF6.5X14.5X7	×ÈÛ±FÝÁÖÖãÓÍã	Oil Seal	1
12	GB820-5X25C	ÂÝ¶M5X25	Screw M5X25	1
13	DWX8X6.5X14	¶ÍÏú Ø8XØ6.5X14	Dowel Pin Ø8XØ6.5X14	2
14	124024-156FMI-000	ÇúÖãÍãÖÖ,ÇµæÆ¬	Gasket,R.Crankcase Cover	1
15	106101-156FMI-000	ÇúÖãÍãÖÖ,Ç	Right Crankcase Cover	1
16	GB3452.1-18X4	ÖDÎÈ:18X4	O-Ring 18X4	1
17	123101-156FMI-000	»úÓÍB	Oil dip	1

F3

© ERING ERGOLDING

F4

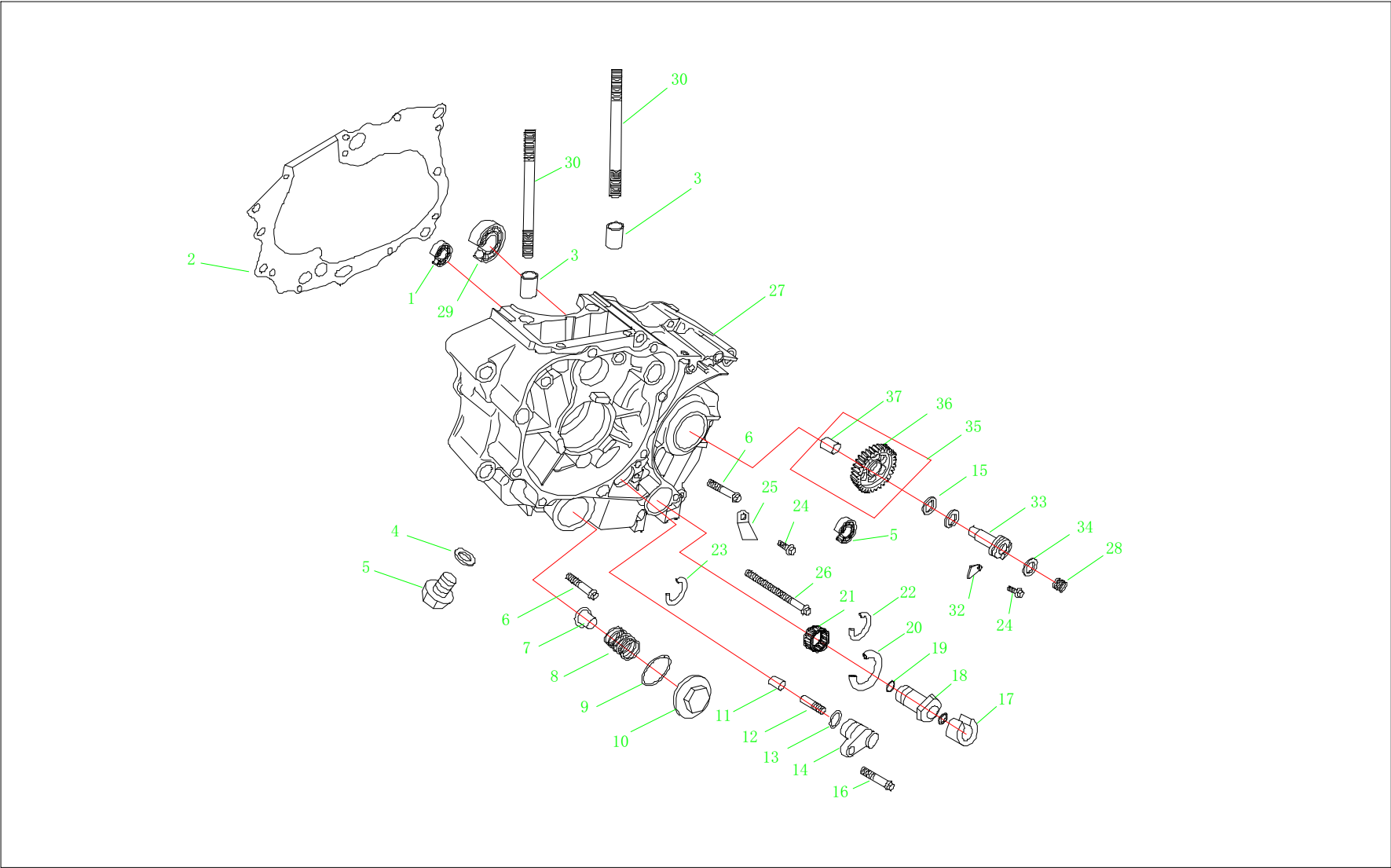
R.Crankcase





F5

L.Crankcase



v

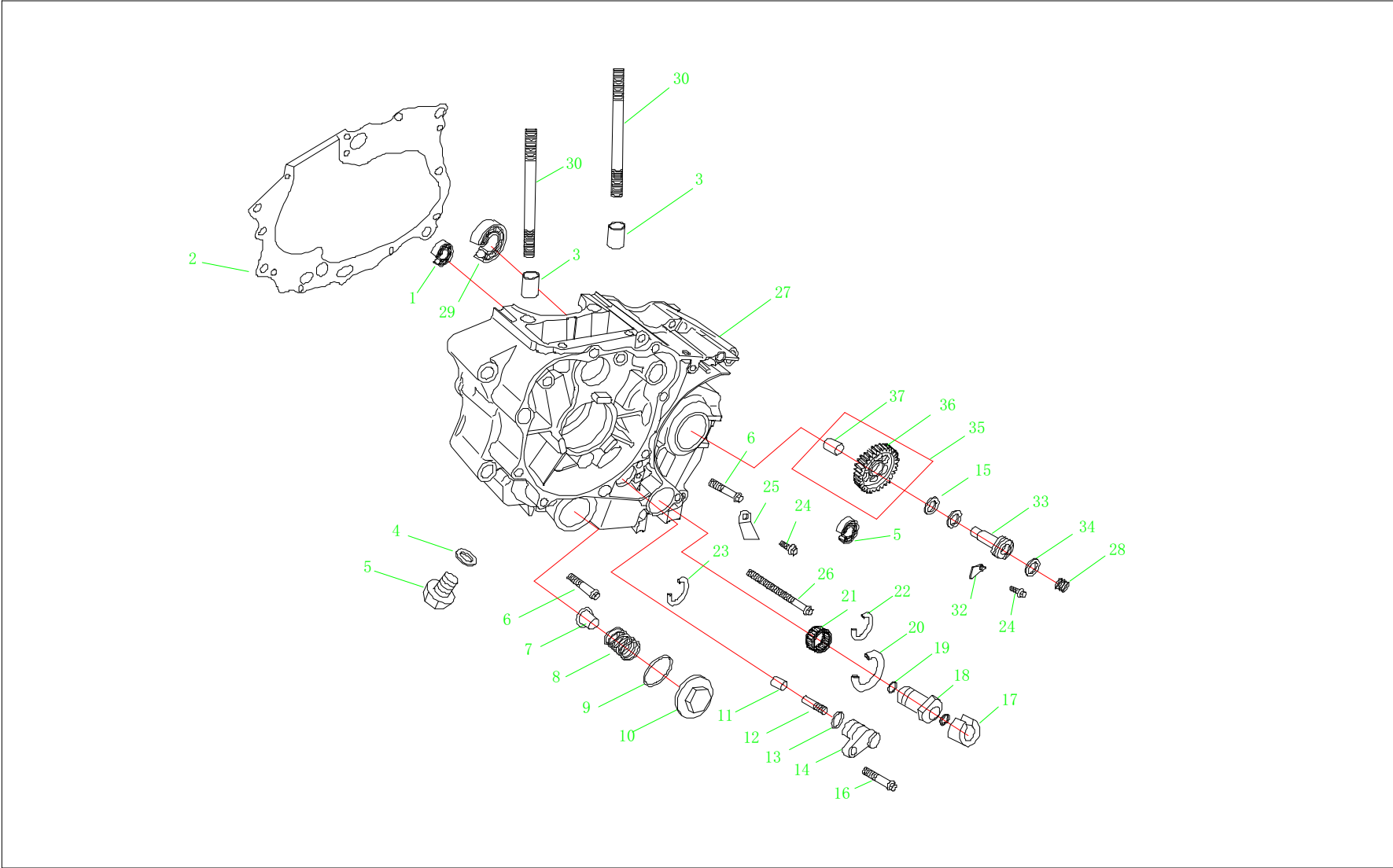
Ðð °Å	Áã ×é ¼þ Í¼ °Å	ÖÐ ÍÄ Ãû ³Æ	Óç ÍÄ Ãû ³Æ	Êý Á¿
No.	Component and Part No.	Chinese Name	English Name	Quantity
1	GB276-94	¼¶ ÖáÐ6202	Bearing 6202	1
2	124025-156FMI-000	ÇúÖáÍÄÃû-âµæ	Gasket,Crankcase	1
3	DWX8.8X14	¶Í-Íú Ø8.8X14	Dowel Pin Ø8.8X14	2
4	GB97.1-12	·ÁÓÍÄÝÊûµæÆ¬	Washer,Oil Draining Plug	1
5	104103-156FMI-000	·ÁÓÍÄÝÊûM12X15	Oil Draining Plug M12X15	1
6	GB5787-6X50C	ÂÝÊ M6X50	Bolt M6X50	9
7	119310-156FMI-000	ÂËÓÍÖ×çÍ	Oil Filter Screen	1
8	119301-156FMI-000	ÂËÓÍÖµ¬»É	Spring,Oil Filter Screen	1
9	GB3452.1-35X3	»úÓÍÄËÖ,ÇODÍÊ35X3	O-Ring 35X3	1
10	119302-156FMI-000	ÂËÓÍÖ,Ç	Oil Filter Screen Cap	1
11	104141-156FMI-000	ÖæÐÍÆÁ¶ÍÁÍ	Plug	1
12	104142-156FMI-000	ÖæÐÍÆÁµ¬»É	Spring	1
13	GB3452.1-13.5X2.5	ODÍÄÜ-áÊ:13.5X2.5	O-Ring 13.5X2.5	1
14	104143-156FMI-000	ÖæÐÍÆÁ¶ÍÁÍ-Ö\$¼Ü	Plug Bracket	1
15	GB894.1-22	µ²Ê:22	Circlip 22	1
16	GB5787-6X25C	ÂÝÊ M6X25	Bolt M6X25	1
17	104151-156FMI-000	¿ÖµµÖ,Ê¾Æ÷»ÊÊ	Guard Ring,Neutral Switch Spacer	1
18	104150-156FMI-000	¿ÖµµÖ,Ê¾Æ÷×çÍ	Neutral Switch Spacer	1
19	GB3452.1-7X1.7	ODÍÄÜ-áÊ:7X1.7	O-Ring 7X1.7	1
20	YF34X50X7	ÓÍ-á34X50X7	Oil Seal 34X50X7	1
21	GB290-94	¼ÖëÖáÐ1010	Needle Bearing,1010	1
22	YF20X34X7	ÓÍ-á20X34X7	Oil Seal 20X34X7	1
23	YF14X28X7	ÓÍ-á14X28X7	Oil Seal 14X28X7	1
24	GB5787-6X12C	ÂÝÊ M6X12	Bolt M6X12	2

© ERING ERGOLDING

F5

F5

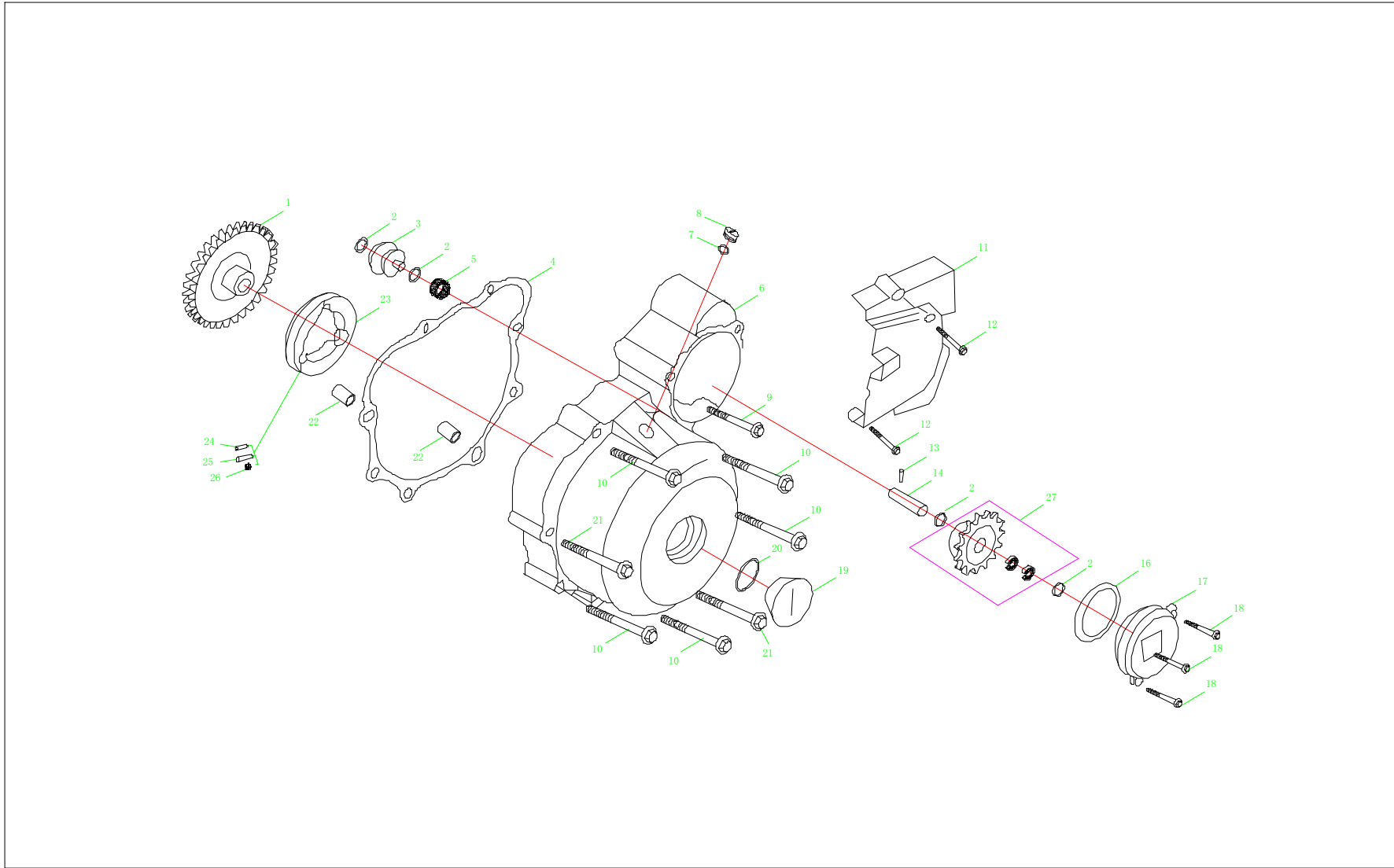
L.Crankcase





F6

L. Crankcase Cover



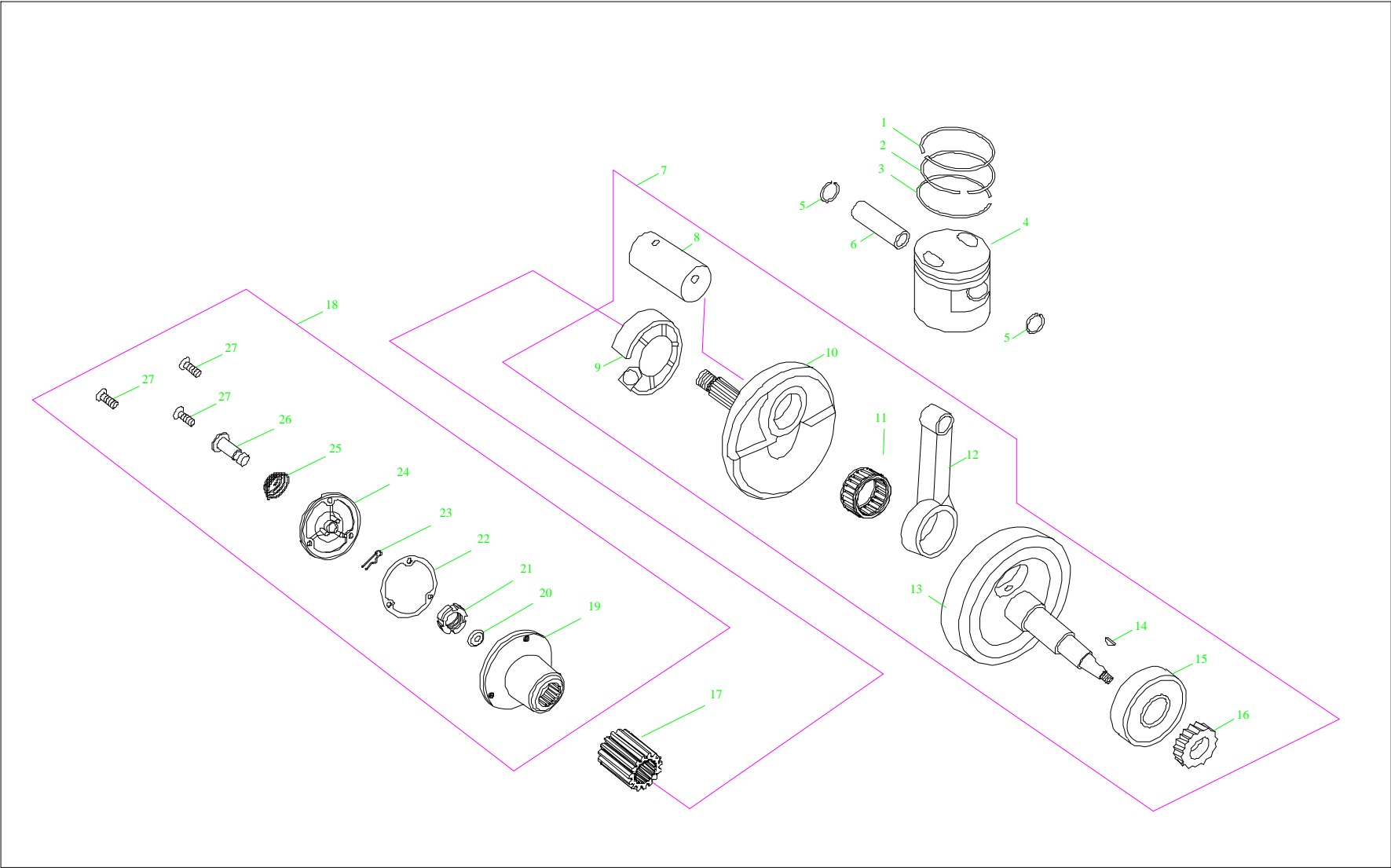
Đò °Á	Áã ×é ¼p Í¼ °Á	ÖĐ ÍÄ Äü ³Æ	Óç ÍÄ Äü ³Æ	Êý Á¿
No.	Component and Part No.	Chinese Name	English Name	Quantity
1	118130-156FMI-000	µçÆð¶ ³óÝÁÖ	Electric Starting Gear Assy.	1
2	118131-156FMI-000	µæÈ!	Washer	4
3	118140-156FMI-000	µçÆð¶ ¶³ÝÁÖ	Gear	1
4	124026-156FMI-000	×ó,ÇµæÆ¬	Gasket,L.Crankcase Cover	1
5	GB290-94	³òÖèÖá³Đ1010	Needle Bearing 1010	1
6	103101-156FMI-000	×óÇ°,Ç	Left Front Cover	1
7	GB3452.1-13X2.8	ÖĐÍÄÜ:áÈ!13X2.8	O-Ring 13X2.8	1
8	113105-156FMI-000	ÁÝÈü	Thread Plug	1
9	GB5787-6X25W	ÁÝÈ·M6X25	Bolt M6X25	1
10	GB5787-6X40C	ÁÝÈ·M6X40	Bolt M6X40	5
11	103201-156FMI-000	×óó,Ç	Left Rear Cover	1
12	GB5787-6X28C	ÁÝÈ·M6X28	Bolt M6X28	2
13	GB119-3X5	Íü3X5	Pin 3X5	1
14	118110-156FMI-000	µçÆð¶ ³ÝÖá	Shaft	1
15	118121-156FMI-000	µçÆð¶ ³ÝÁÖ	Electric Starting Gear	1
16	GB3452.1-62X3	ÖĐÍÄÜ:áÈ!62X3	O-Ring 62X3	1
17	103103-156FMI-000	µçÆð¶ ³ÝÁÖÈÖ,Ç	Cover,Gear Chamber	1
18	GB5787-6X20C	ÁÝÈ·M6X20	Bolt,M6X20	3
19	103104-156FMI-000	³Áµç»üÁÝÈü	Thread Plug	1
20	GB3452.1-27.4X2.4	ÖĐÍÄÜ:áÈ!27.4X2.4	O-Ring 27.4X2.4	1
21	GB5787-6X50C	ÁÝÈ·M6X50	Bolt,M6X50	2
22	DWX10X8.8X14	¶Í»Íü10X8.8X14	Dowel Pin 10X8.8X14	2
23	118150-156FMI-000	³-Ö½Àè¶Æ÷	One-Way Clutch Assy.	1
24	118151-156FMI-000	³òÖü	Roller	3
25	118152-156FMI-000	¶Íü	Pin	3
26	118153-156FMI-000	µ¬»É	Spring	3

© ERING ERGOLDING

F6

F7

Crankshaft Comp.



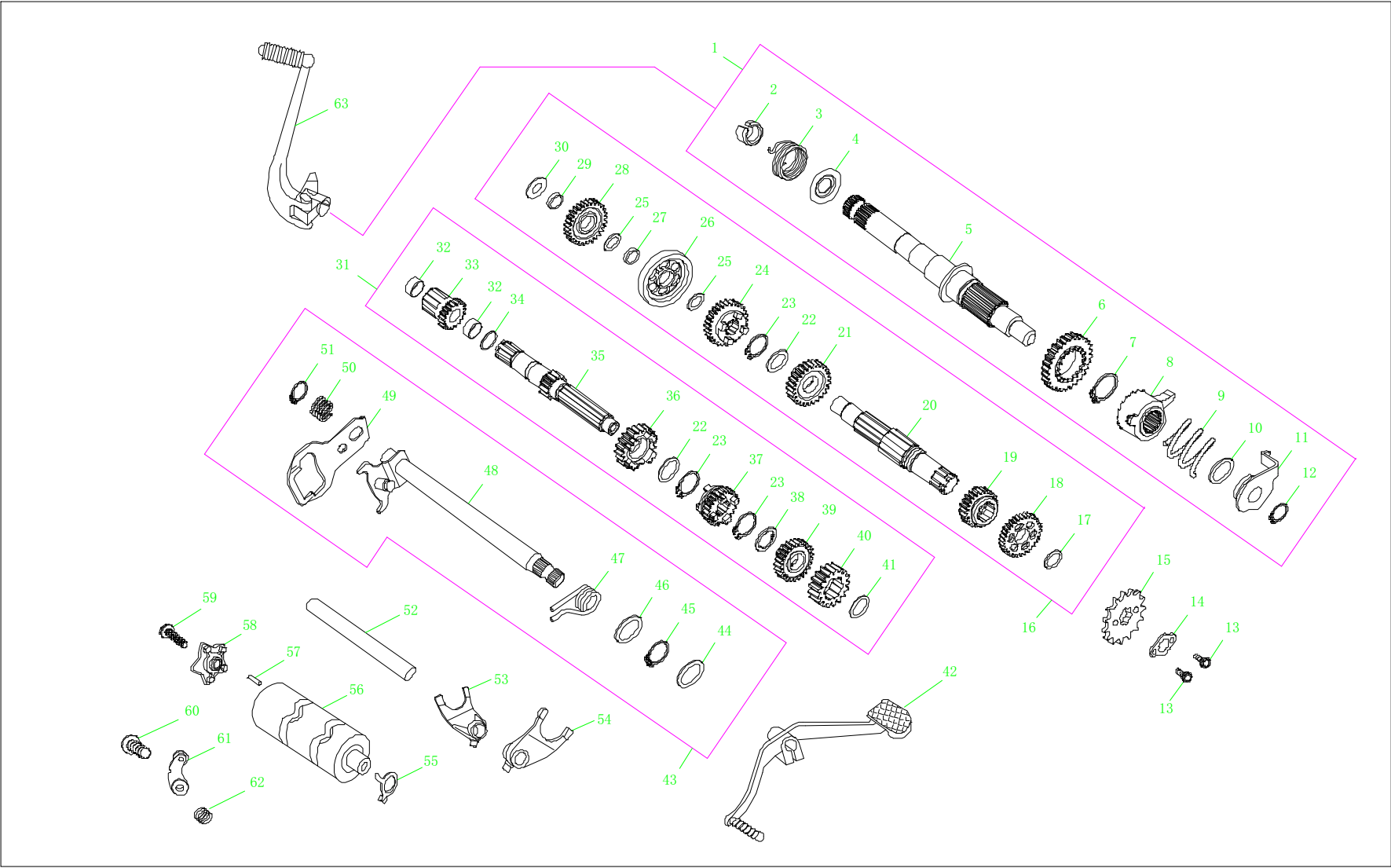
Đò °Å	Áã ×é ¼p Í¼ °Å	ÖÐ ÎÄ Ãú ³Æ	Óç ÎÄ Ãú ³Æ	Êý Á¿
No.	Component and Part No.	Chinese Name	English Name	Quantity
1	112111-156FMI-000	μÚÓ»μÀ»iÈú»	Piston Ring,First	1
2	112121-156FMI-000	μÚ»pμÀ»iÈú»	Piston Ring,Second	1
3	112130-156FMI-000	×éÍÓÍ»×é¼p	Piston Ring,Third	1
4	111111-156FMI-000	»iÈú	Piston	1
5	111131-156FMI-000	»iÈúíúμÈ: Ø15	Circlip 15,Piston Pin	2
6	111121-156FMI-000	»iÈúíú	Piston Pin	1
7	113100-156FMI-000	ÇúÓáÁ-, È × é° Í	Crankshaft&Connecting Rod Assy.	1
8	113120-156FMI-000	Çú±úíú	Pin	1
9	GB290-63/28	¼» ÎÄ³Ð63/28	Bearing 63/28	1
10	113140-156FMI-000	ÓÒÇú±ú	R.Crankshaft	1
11	GB3038-18	¼ÖèÓáÐ	Needle Bearing	1
12	113111-156FMI-000	Á-,È	Connecting Rod	1
13	113130-156FMI-000	×óÇú±ú	L.Crankshaft	1
14	113131-156FMI-000	°èÓ¼ú	Woodruff Key	1
15	GB290-63/28RS	¼» ÎÄ³Ð63/28RS	Bearing 63/28RS	1
16	113201-156FMI-000	ÖyÈ±YÁÖ	Timing Drive Gear	1
17	113301-156FMI-000	Ö:»YÁÖ	Drive Gear	1
18	119200-156FMI-000	»úÓÍ' ýÁÈÈ ÷ × é¼p	Oil Filter Assy.	1
19	119210-156FMI-000	»úÓÍ' ýÁÈÈ ÷ ×ª × Ó × é¼p	Rotor Assy., Oil Filter	1
20	119202-156FMI-000	»úÓÍ'ýÁÈÈ:μæÈ	Washer,Oil Filter	1
21	119203-156FMI-000	Èø¼óÁYÁ_M16X1	Lock Nut M16X1	1
22	119201-156FMI-000	»úÓÍ'ýÁÈÈ:×ª×Ó,Çμæ	Gasket	1
23	119213-156FMI-000	±fÍÖíú	Lock Pin	1
24	119214-156FMI-000	»úÓÍ' ýÁÈÈ ÷ ×ª × Ó, Ç	Cover,Oil Filter Rotor	1
25	119211-156FMI-000	¼yÓÍ'Úμ»É	Spring	1
26	119212-156FMI-000	¼yÓÍ'Ú	Oil Pipe	1
27	GB820-5X12Y	ÁY»M5X12	Screw M5X12	3

F7

© ERING ERGOLDING

F8

Gearshift, Kick Starter Comp.



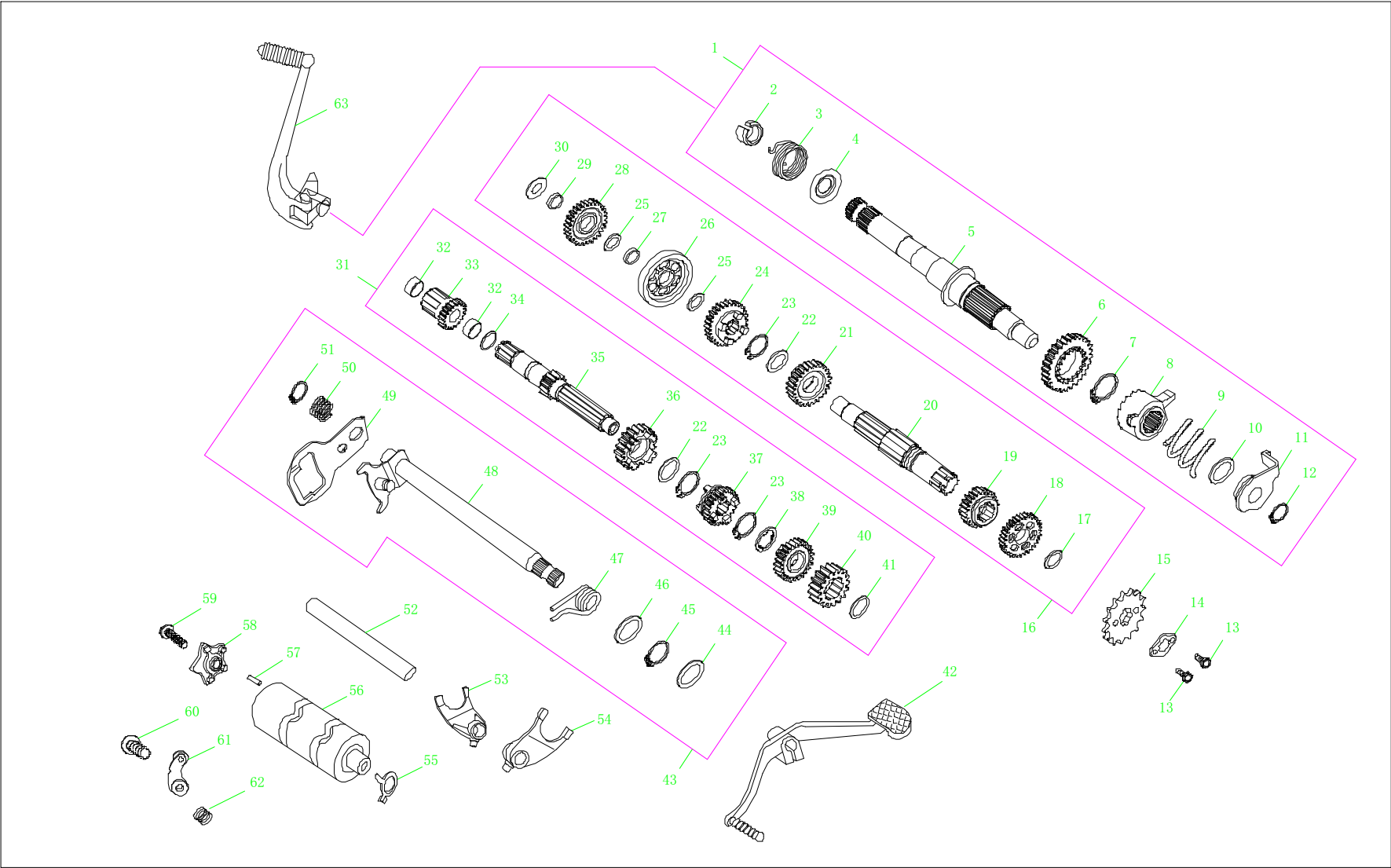
Đò °Á	Áã ×é ¼p Í¼ °Á	ÖD ÎÄ Ãû ³Æ	Óç ÎÄ Ãû ³Æ	Êý Áç
No.	Component and Part No.	Chinese Name	English Name	Quantity
1	117100-156FMI-000	• ´³ äÆÖ¶ Öá × é¼p	Axle Assy., Kick Starter	1
2	117101-156FMI-000	·³äÆÖ¶ ³Äì×	Collar	1
3	117103-156FMI-000	·³äÆÖ¶ µ´»É	Spring	1
4	117104-156FMI-000	ÆÖ¶ µ´»ÉµæÈ!	Washer	1
5	117109-156FMI-000	·³äÆÖ¶ Öá	Spindle, Kick Starter	1
6	117106-156FMI-000	·³äÆÖ¶ ³ÝÄÖ	Gear, Kick Starter	1
7	117108-156FMI-000	µ² È! 20	Circlip 20	1
8	117110-156FMI-000	·³äÆÖ¶ ¼-ÄÖ	Ratchet, Kick Starter	1
9	117111-156FMI-000	·³äÆÖ¶ ¼-ÄÖµ´»É	Spring, Kick Starter Ratchet	1
10	117112-156FMI-000	µæÈ! 16	Washer 16	1
11	117113-156FMI-000	¼-ÄÖµ¼ÄÖÆ-××é¼p	Ratchet Guide Plate Assy.	1
12	GB894.1-16	µ² È! 16	Circlip 16	1
13	GB5782-6X10Y	ÁÝÈ M6X10	Bolt M6X10	2
14	114302-156FMI-000	Á´ÄÖÈö%zöµæÆ-	Plate	1
15	114301-156FMI-000	Ö:¶ Á´ÄÖ	Drive Sprocket	1
16	114200-156FMI-000	, ± Öá × é¼p	Countershaft Assy.	1
17	114211-156FMI-000	µæÈ! 20	Washer 20	1
18	114240-156FMI-000	±Öáµ¼ÄÖ³ÝÄÖ	Second Speed Gear, Countershaft	1
19	114270-156FMI-000	±Öáµ¼ÄÖ³ÝÄÖ	Fifth Speed Gear, Countershaft	1
20	114210-156FMI-000	±äÈÛÆ÷, ±Öá	Transmission Countershaft	1
21	114260-156FMI-000	±ÖáÈÄÈÛ³ÝÄÖ	Fourth Speed Gear, Countershaft	1
22	114261-156FMI-000	»¼äµæÆ-	Washer	2
23	117108-156FMI-000	µ² È! 20	Circlip 20	3
24	114250-156FMI-000	±ÖáÈÿÈÛ³ÝÄÖ	Third Speed Gear, Countershaft	1

F8

© ERING ERGOLDING

F8

Gearshift, Kick Starter Comp.



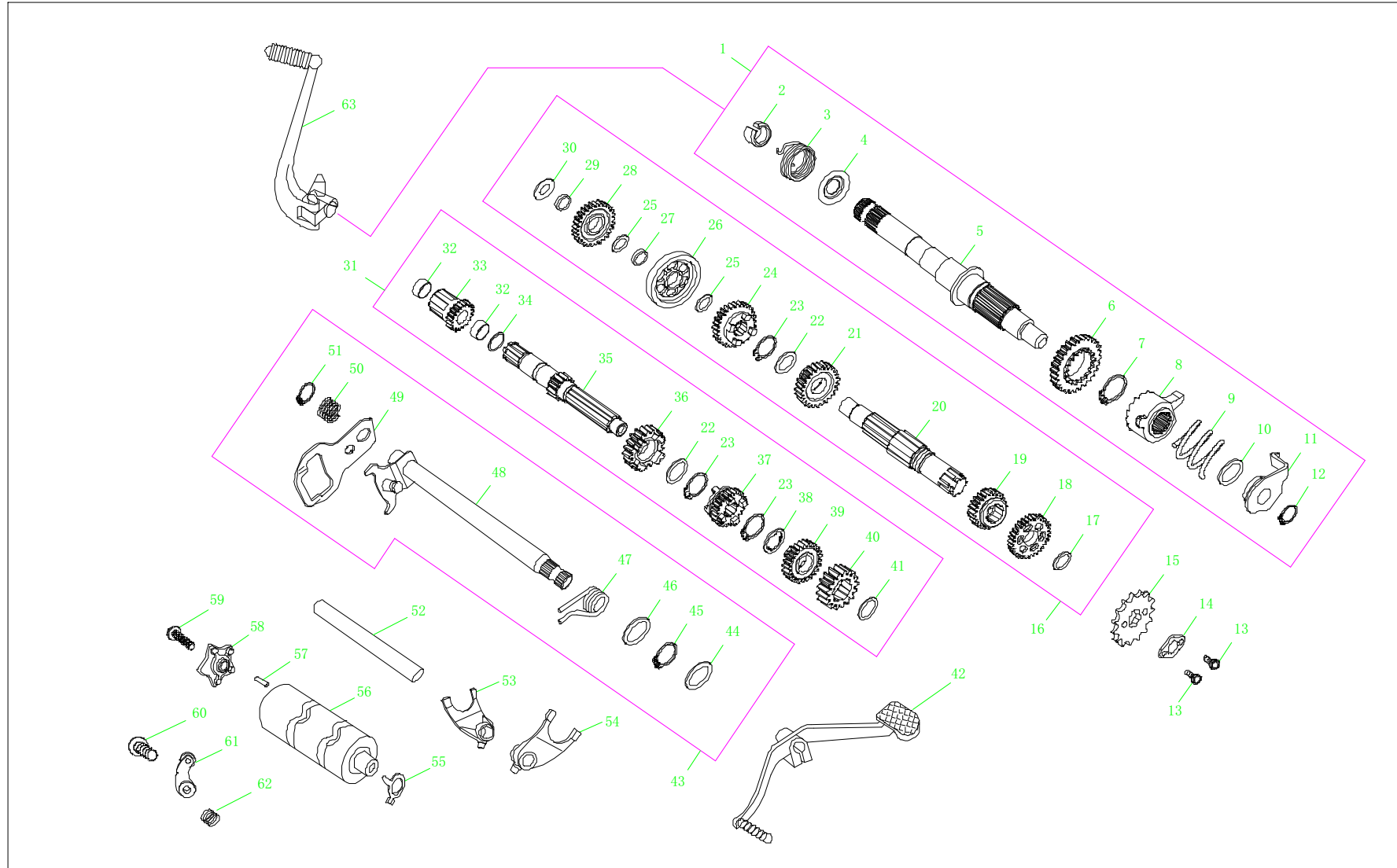
Đò °Á	Áã ×é ¼þ Í¼ °Á	ÖÐ ÎÄ Äû ³Æ	Óç ÎÄ Äû ³Æ	Êý Áç
No.	Component and Part No.	Chinese Name	English Name	Quantity
25	114251-156FMI-000	µæÈ! 16.5	Washer 16.5	2
26	114230-156FMI-000	±ÖáÖ»ËÛ³ÝÁÖ	First Speed Gear,Countershaft	1
27	114231-156FMI-000	±ÖáÖ»ËÛ³ÝÁÖ³ÄÌ×	Collar	1
28	114222-156FMI-000	ÆØ¶ ¶³ÝÁÖ	Starter Idle Gear	1
29	114221-156FMI-000	ÆØ¶ ¶³ÝÁÖ³ÄÌ×	Collar,Starter Idle Gear	1
30	114220-156FMI-000	µæÈ! 15	Washer 15	1
31	114100-156FMI-000	Ö ÷ Öá × é¼þ	Mainshaft Assy.	1
32	114111-156FMI-000	Ö:¶ Öá³ÄÌ×	Bush	2
33	114120-156FMI-000	ÆØ¶ ³ÝÁÖ	Starter Gear	1
34	114121-156FMI-000	µæÈ! 20	Washer 20	1
35	114110-156FMI-000	±äËÛÆ:Ö:Öá	Transmission Mainshaft	1
36	114140-156FMI-000	Ö:ÖáËÛËÛ³ÝÁÖ	Third Speed Gear,Mainshaft	1
37	114150-156FMI-000	Ö:ÖáËÛËÛ³ÝÁÖ	Fourth Speed Gear,Mainshaft	1
38	114121-156FMI-000	» · ·¼üµæÈ!	Washer	1
39	114160-156FMI-000	Ö:ÖáËÛËÛ³ÝÁÖ	Fifth Speed Gear,Mainshaft	1
40	114130-156FMI-000	Ö:Öá¶ËÛ³ÝÁÖ	Second Speed Gear,Mainshaft	1
41	114220-156FMI-000	µæÈ!	Washer	1
42	115800-156FMI-000	±äµµËÛËÛ×é¼þ	Gearshift Pedal Assy.	1
43	115100-156FMI-000	± äµµÖá × é¼þ	Gearshift Axle	1
44	115101-156FMI-000	µæÈ! 14	Washer 14	1
45	GB894.2-12	µ² È! 12	Circlip 12	1
46	115102-156FMI-000	µæÈ! 14	Washer 14	1
47	115103-156FMI-000	±äµµÖá»ÖËµ´»É	Spring	1
48	115110-156FMI-000	±äµµËÛ×é¼þ	Gearshift Spindle Assy.	1

F8

© ERING ERGOLDING

F8

Gearshift, Kick Starter Comp.



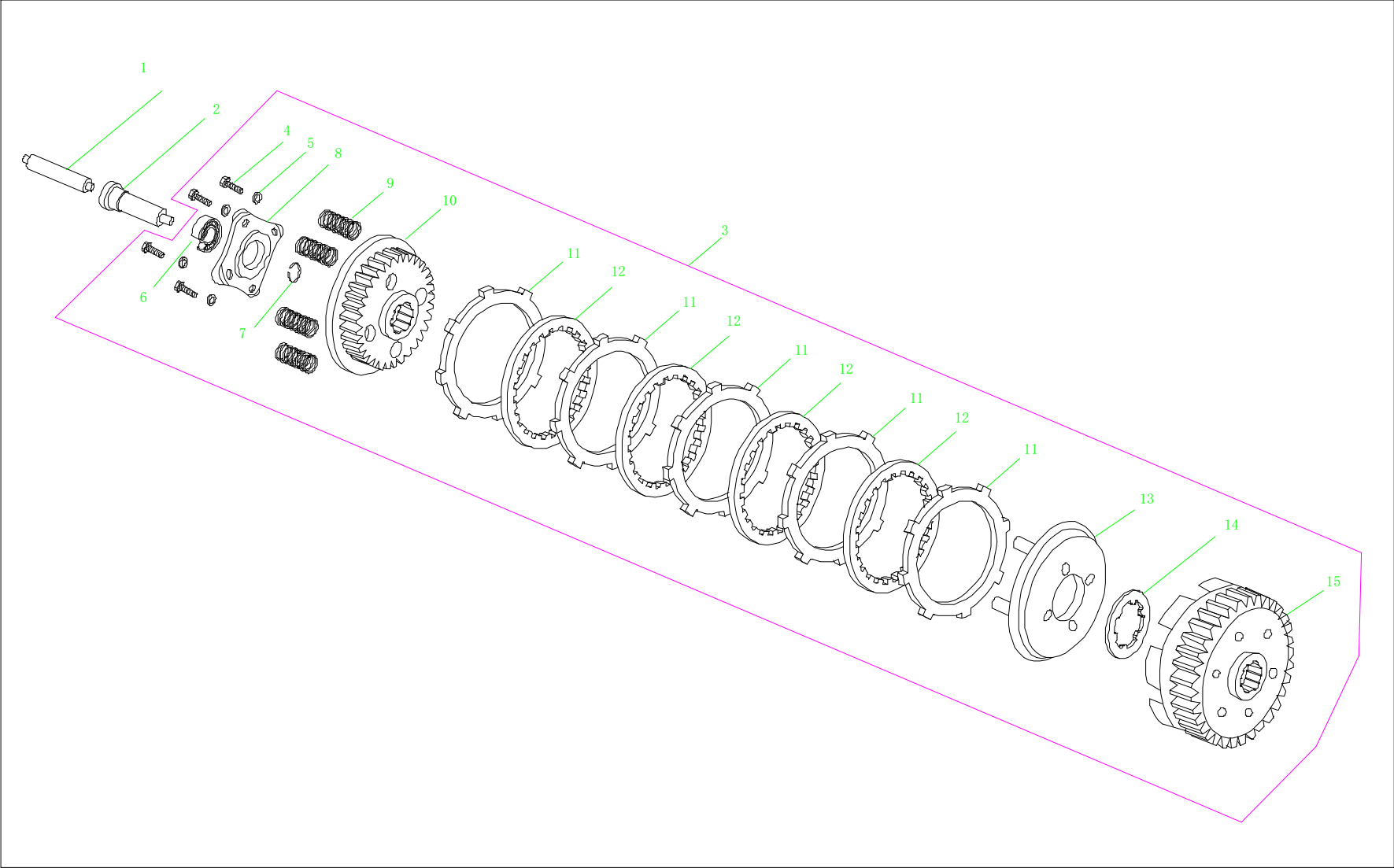
Đò °Á	Áã ×é ¼þ Í¼ °Á	ÖÐ ÎÄ Ãû ³Æ	Óç ÎÄ Ãû ³Æ	Êý Á¿
No.	Component and Part No.	Chinese Name	English Name	Quantity
49	115104-156FMI-000	±äµµ°ã	Gearshift Plate	1
50	115105-156FMI-000	±äµµ°äµ´»É	Spring,Gearshift Plate	1
51	GB894.1-14	µ²È! 14	Circlip 14	1
52	115401-156FMI-000	±äµµ²²æÖá	Gearshift Fork Guide Shaft	1
53	115301-156FMI-000	ÓÒ±äµµ²²æ	R.Gearshift Fork	1
54	115302-156FMI-000	ÖÐ¼ä±äµµ²²æ	Center Gearshift Fork	1
55	115202-156FMI-000	±äµµ¿"ØÖ,Ê¼ ¥Í	Gearshift Switch Indicator	1
56	115201-156FMI-000	±äµµÍ¹ÄÖ	Gearshift Cam	1
57	GB119-4X10	Íú4X10	Pin 4X10	1
58	115501-156FMI-000	±äµµ¶¹Í»°ã	Gearshift Board	1
59	GB5781-6X25W	ÂÝÊ M6X25	Bolt M6X25	1
60	GB5781-6X20W	ÂÝÊ M6X20	Bolt M6X20	1
61	115610-156FMI-000	±äµµ¶¹Í»Æ:-×é¼þ	Gearshift Stopper Comp.	1
62	115611-156FMI-000	¶¹Í»Æ:-µ´»É	Spring	1
63	117200-156FMI-000	½ÄÆØ¶¹µÄ,Ê×éÍ	Kick Starter Arm Comp.	1

F8

© ERING ERGOLDING

F9

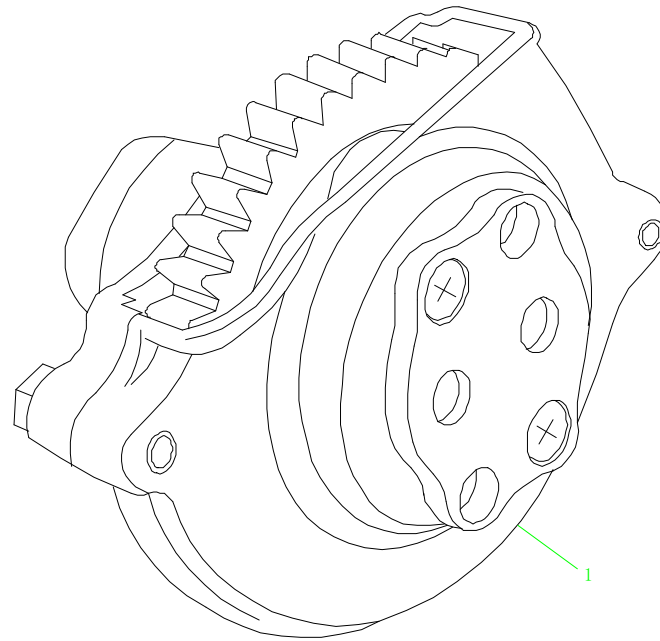
Clutch





F10

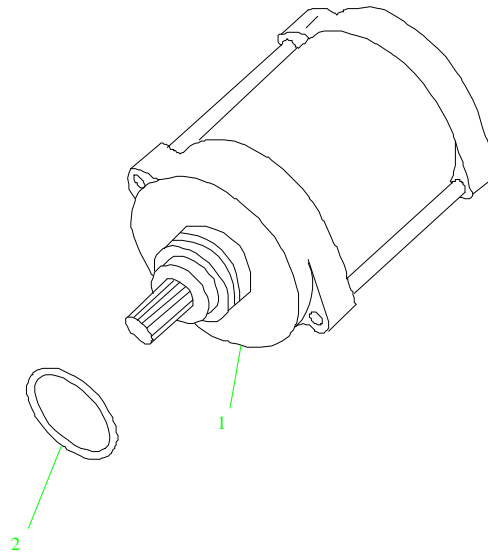
Oil Pump Assy.





F11

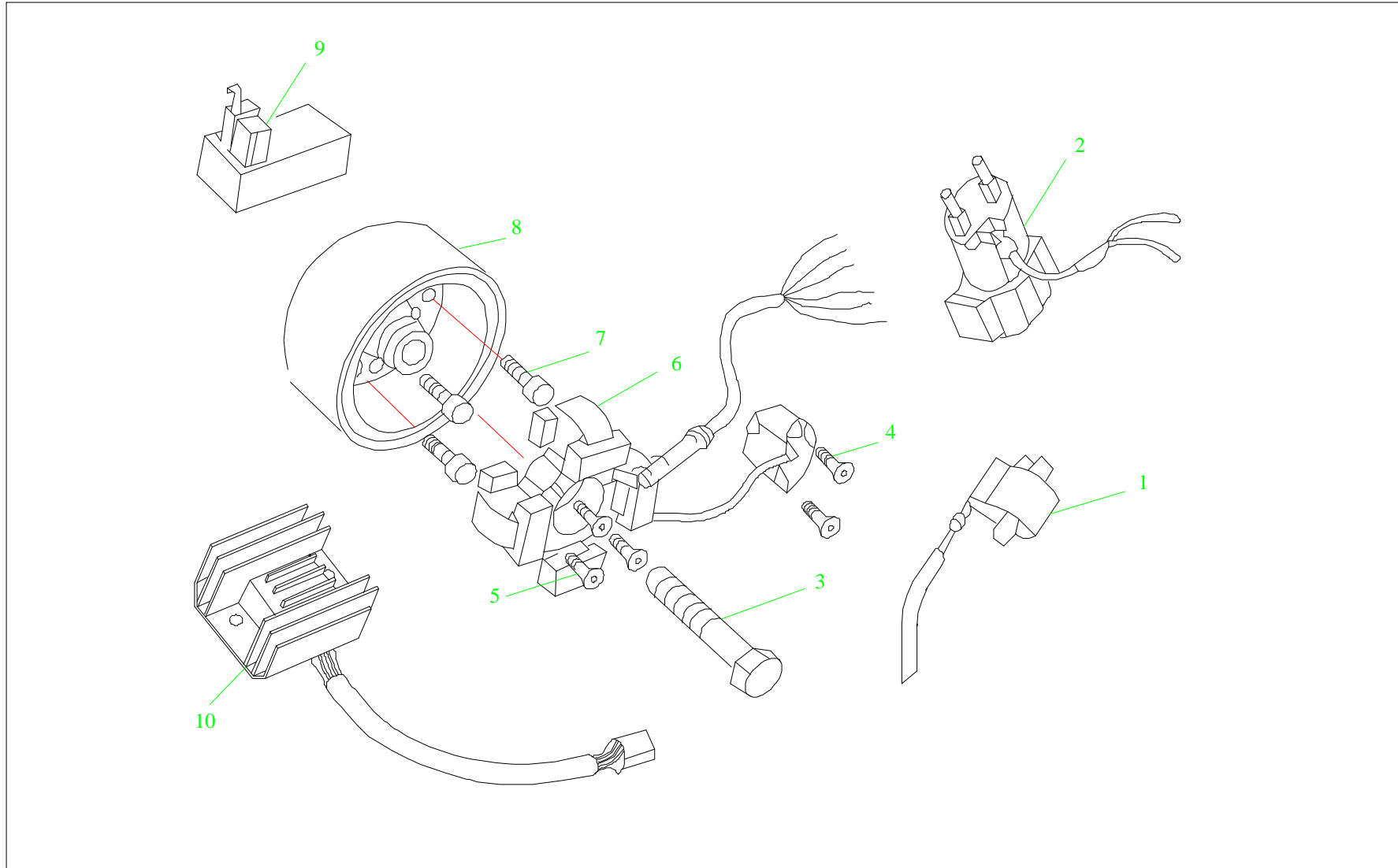
Starter Motor





F12

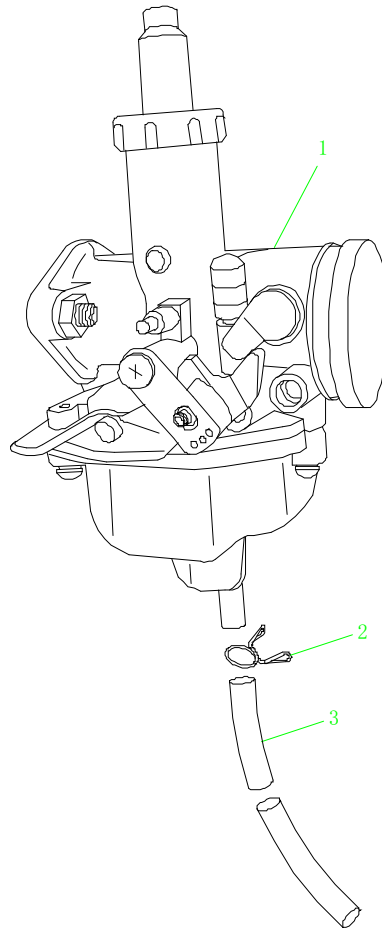
Generator





F13

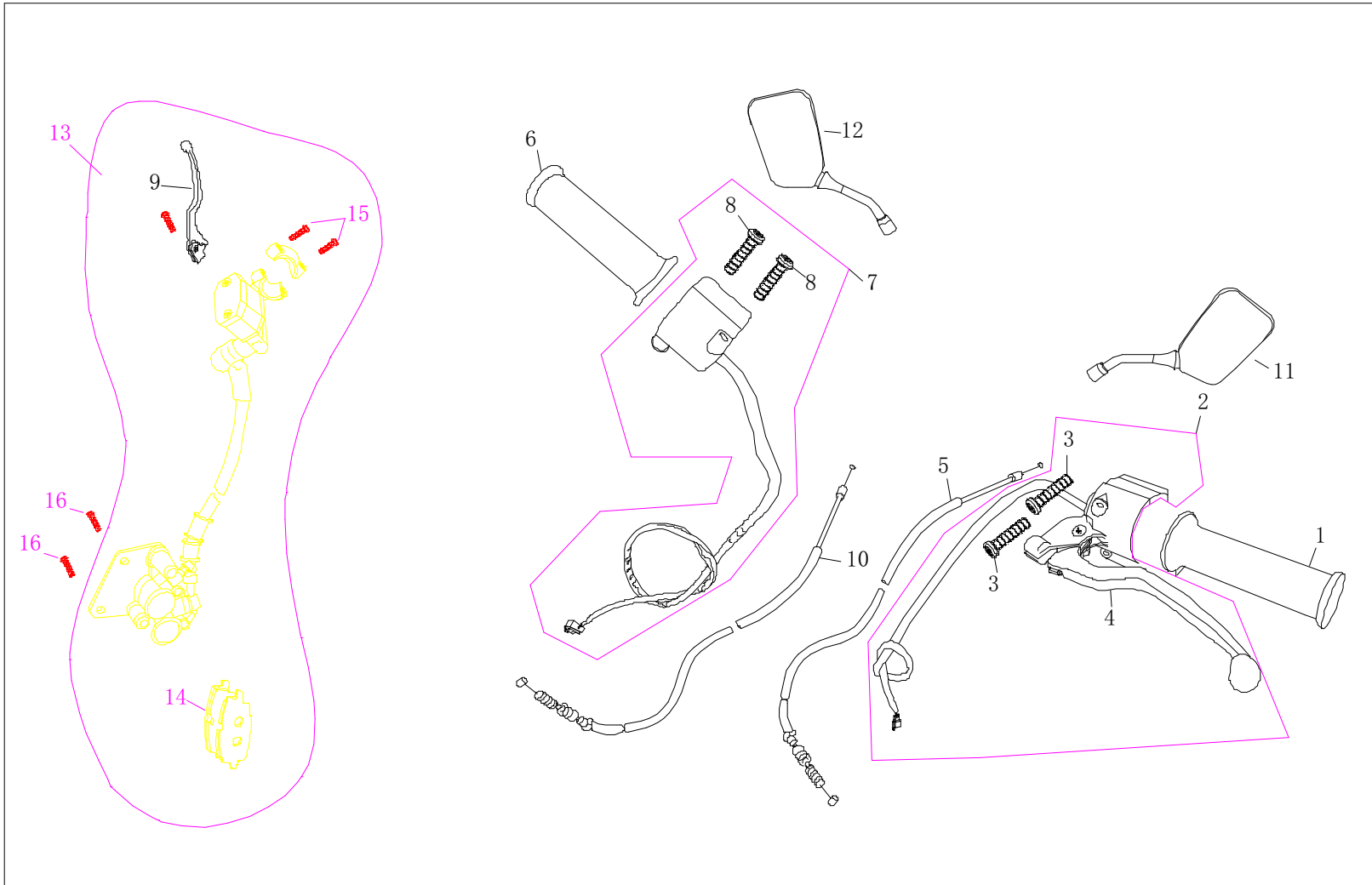
Carburetor Assy.





**F14**

Throttle, Switch, Cable



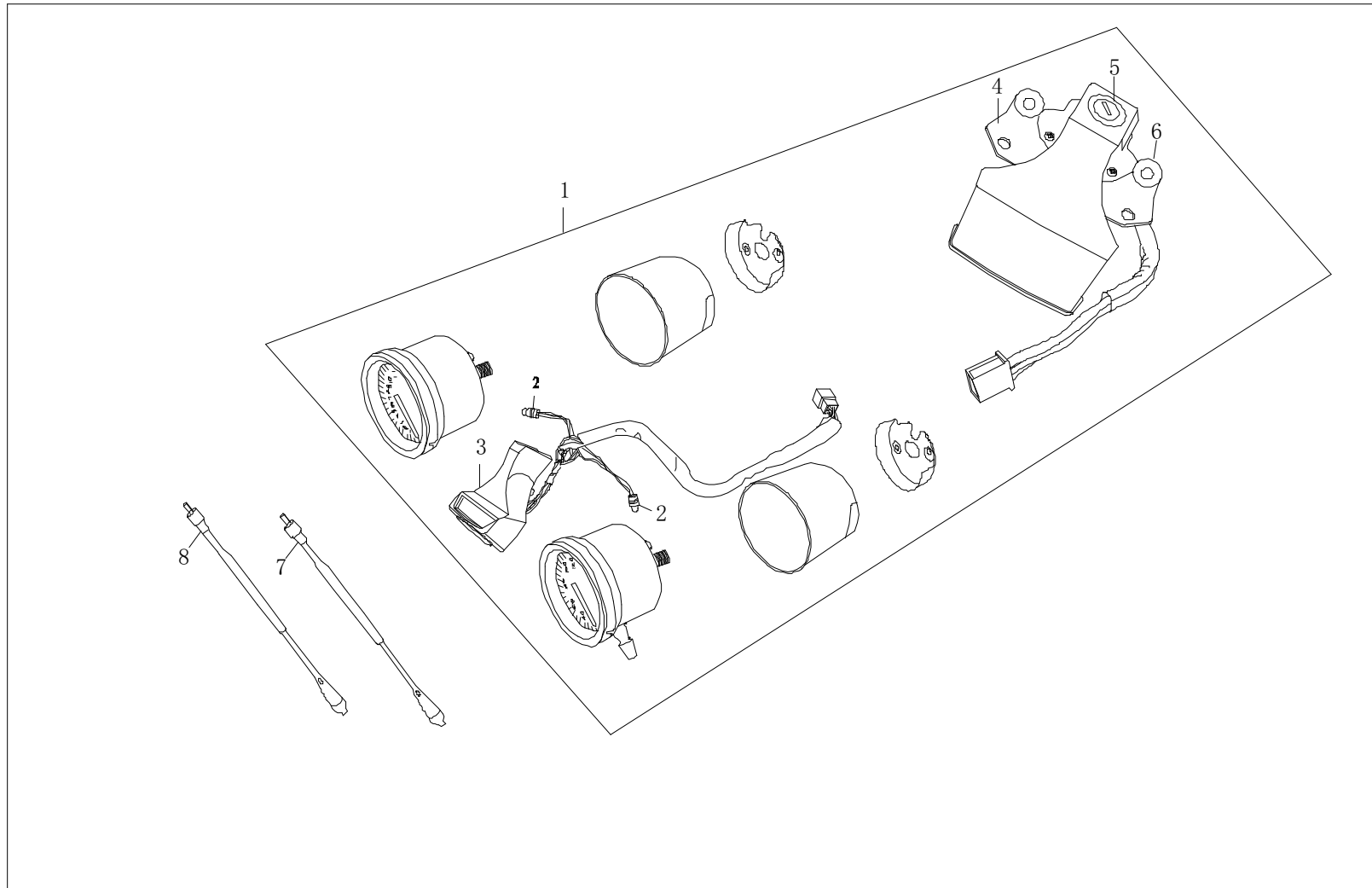
Đò °Á	Áã ×é ¼p Í¼ °Á	ÖÐ ÍÄ Ãû ³Æ	Óç ÍÄ Ãû ³Æ	Êý Á¿
No.	Component and Part No.	Chinese Name	English Name	Quantity
1	530100-PJ3-000	×ó² Û×ÝÊÖ° Ñ×é¼p	Grip, LH	1
2	330100-PJ3-000	×óÊÖ° Ñ¿¹Ø×é¼p	Left Handlebar Controls	1
3	GB/T818-1985	Ê®×ÖÁÝË ¨ M5*20	Bolt M5*20	2
4	530101-PJ3-000	Àë° ÌËÖ±ú	clutch lever	1
5	540500-PJ3-000	Àë° ÌË×é¼p	Clutch Cable	1
6	530200-PJ3-000	ÓÒ² Û×ÝÊÖ° Ñ×é¼p	Throttle Grip	1
7	330200-PJ3-000	ÓÒÊÖ° Ñ¿¹Ø×é¼p	Right Handlebar Controls	1
8	GB/T818-1985	Ê®×ÖÁÝË ¨ M5*16	Bolt M5*16	2
9	530201-PJ3-000	Ç° Ê²ÊÖ±ú	Fr. Brake Lever	1
10	540400-PJ3-000	ÓÍÄÄË×é¼p	Throttle Cable	1
11	610100-PJ3-000	×ó° óÊÓ¼µ×é¼p	Rear-view mirror, RH	1
12	610200-PJ3-000	ÓÒ° óÊÓ¼µ×é¼p	Rear-view Mirror, LH	1
13	403000-PJ3-000	Ç° ÖÊËÆ÷×Ù³É	Front Disc brake Assy	1
14	403110-PJ3-000	Ç° ÖÊËË¿é×é° Ì	Disc brake shoe assy.	1
15	GB/T5789-1986	Áü¼Ç • ¨ Á¼ÄæÁÝË ¨ ¨	Hexagon Flange bolts M6*20	2
16	GB/T5787-1986	Áü¼Ç • ¨ Á¼ÄæÁÝË ¨ ¨	Hexagon Flange bolts M8*30	2

F14

© ERING ERGOLDING

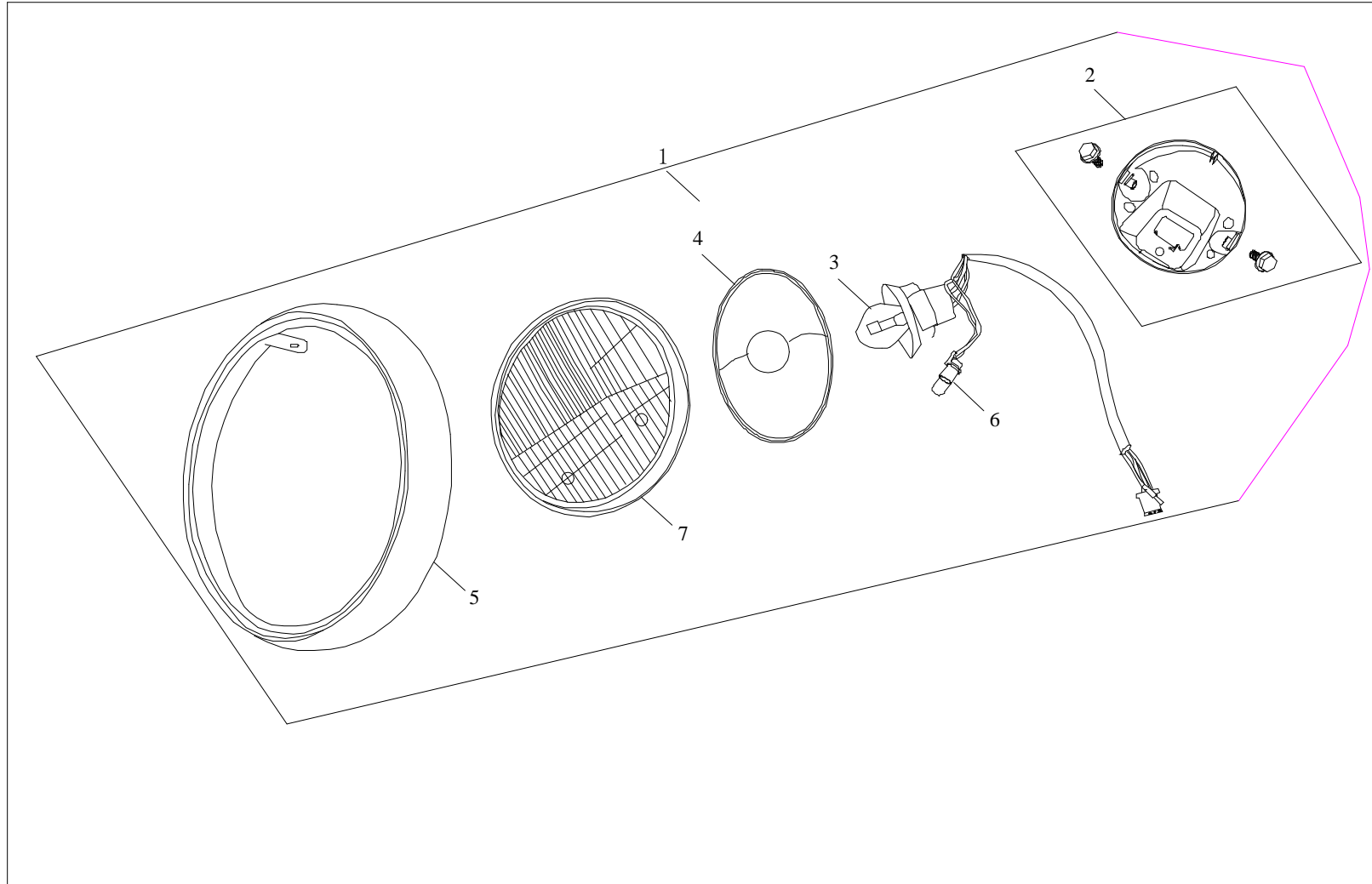
**F15**

Meter Assy





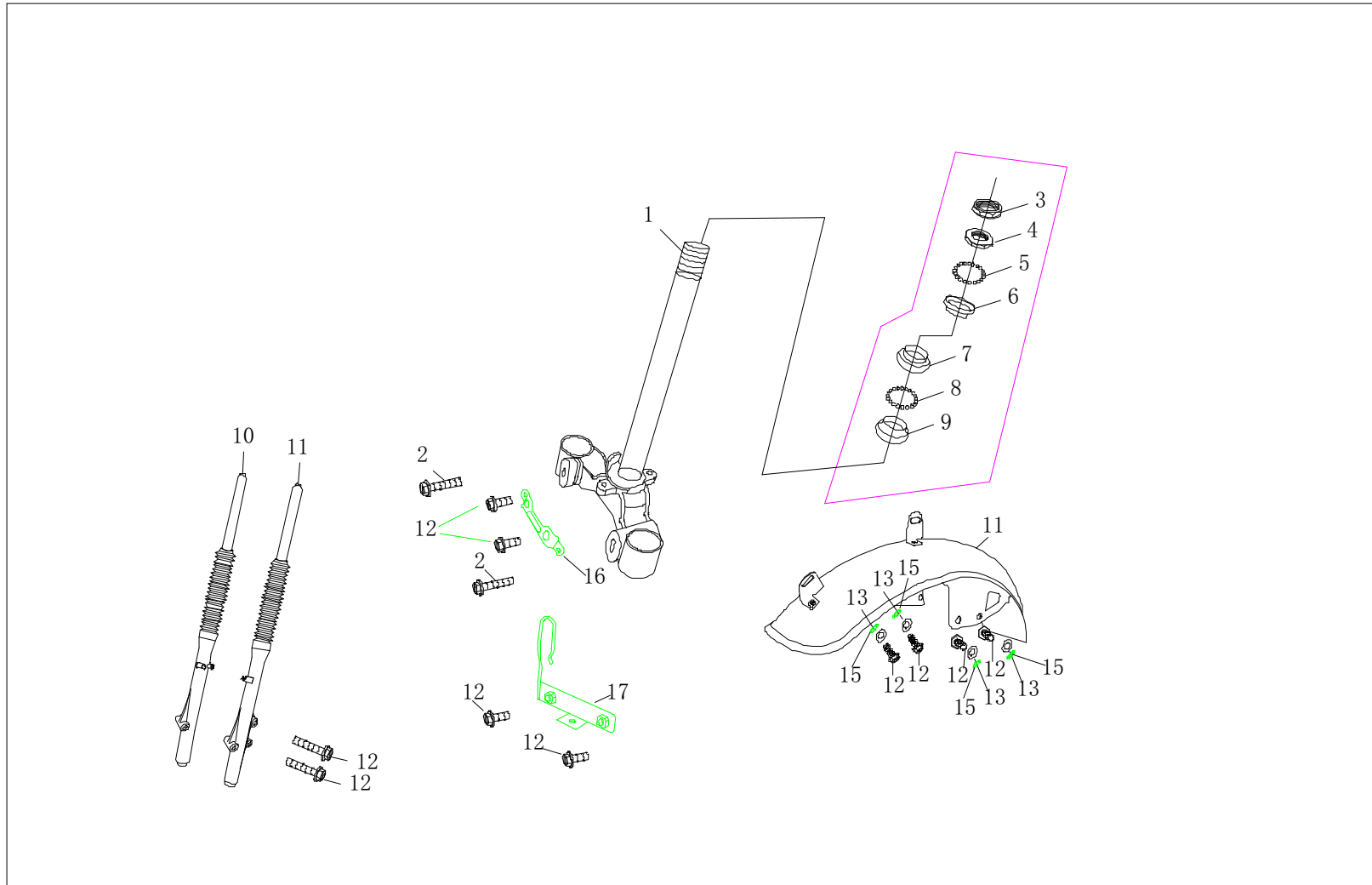
**F16** Headlight Assy





**F17**

Steering column, Front Shock Absorber



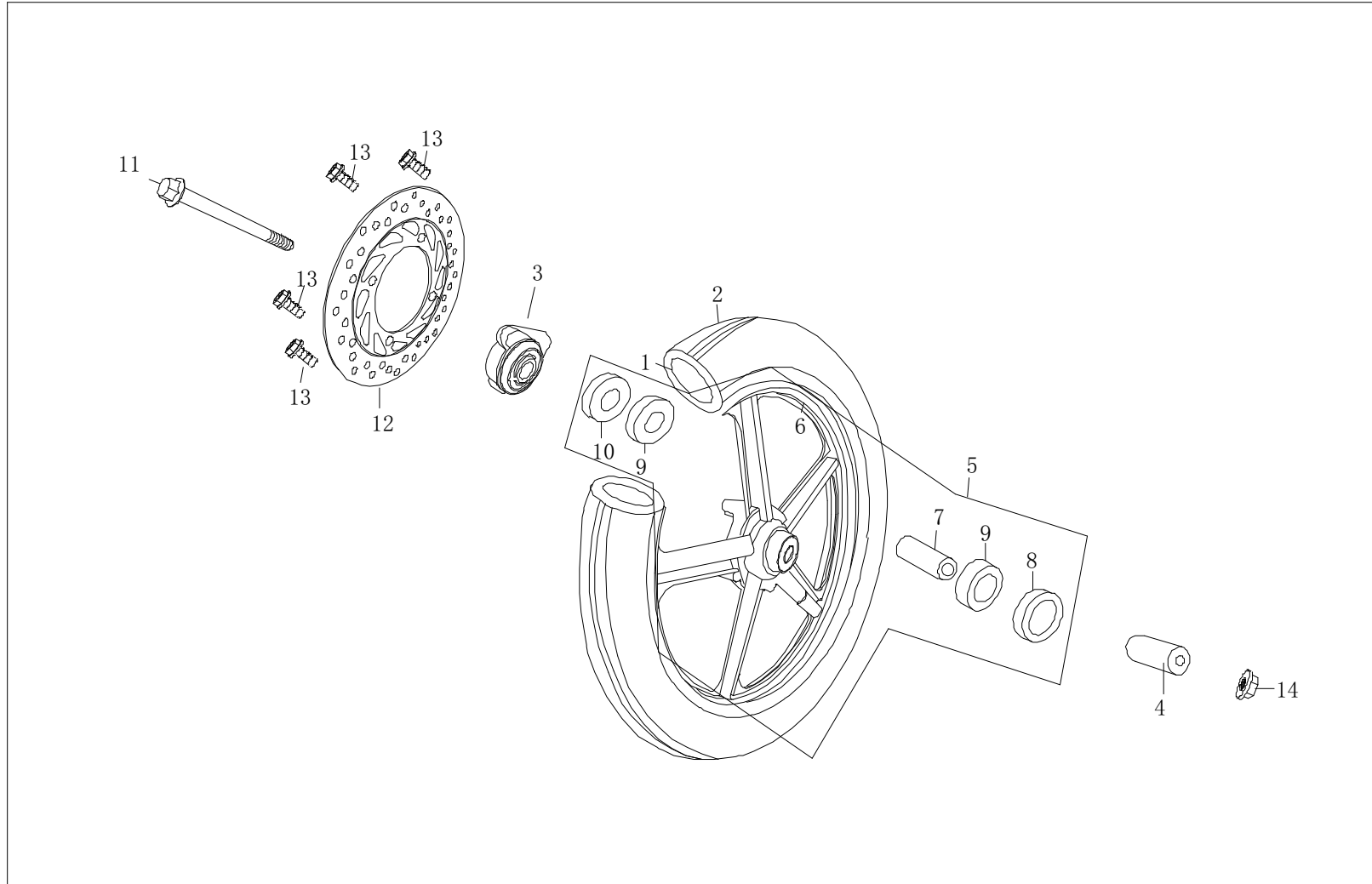
№	Component and Part No.	Chinese Name	English Name	Quantity
1	504100-PJ3-000	转向柱焊接总成	Steering column welding assy	1
2	GB/T 5789-1986	M8*40 螺栓	Bolt M8*40	2
3	504009-PJ3-000	转向柱装配螺母	Assembling nut, steering column	1
4	504002-PJ3-000	转向顶锥	Race strg top cone	1
5	504011-PJ3-000	球	Ball	42
6	504003-PJ3-000	转向顶球	Race upper strg ball	1
7	504004-PJ3-000	转向下球	Race under strg ball	1
8	504005-PJ3-000	转向球锥	Race strg ball cone	1
9	504300-PJ3-000	前减震器 右	Front Shock Absorber , RH	1
10	504400-PJ3-000	前减震器 左	Front Shock Absorber , LH	1
11	604100-PJ3-000	前挡泥板总成	Front fender assy	1
12	GB/T5789-1986	M6*16 六角法兰螺栓	Hexagon Flange bolts M6*16	8
13	GB/T97.1-85-6	垫圈	Washer	4
14	GB/T5789-1986	M10*30 六角法兰螺栓	Hexagon Flange bolts M10*30	2
15	GB/T 93-1987	弹簧垫圈	Spring washer	4
16	50400A-PJ3-000	护板支架	Scutcheon Bracket	1
17	501030-PJ3-000	角架焊接总成	Bracket welding assy, horn	1

F17

© ERING ERGOLDING

**F18**

Front Wheel Comp



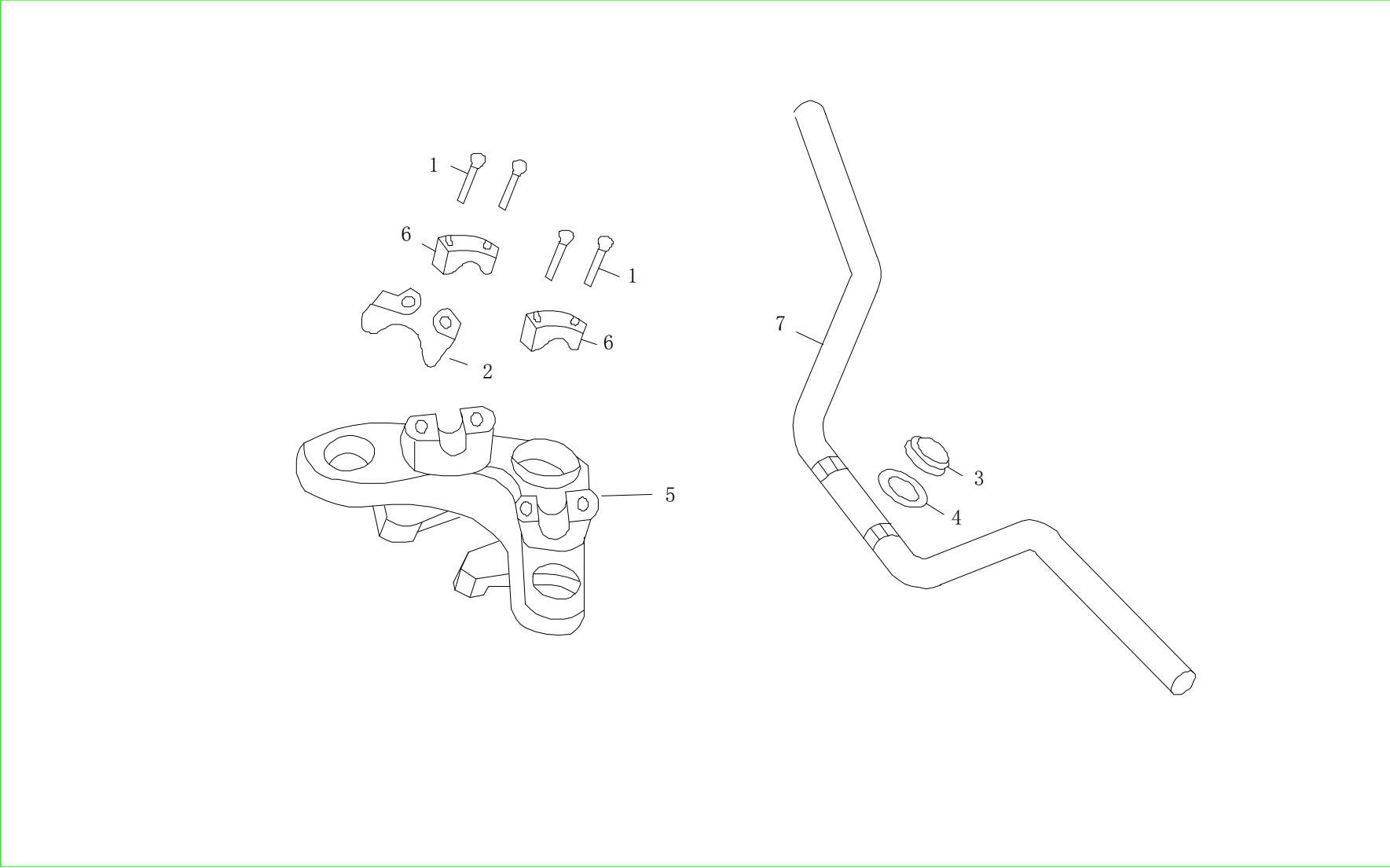
Đò °À	Áã ×é ¼þ í¼ °À	ÖÐ ÍÄ Ãû ³Æ	Óç ÍÄ Ãû ³Æ	Êý Á¿
No.	Component and Part No.	Chinese Name	English Name	Quantity
1	GB7036-1989	Ç° ÄÖÄÜÏ¥	Tube, tire (90/90-18)	1
2	GB518-1991	Ç° ÄÖÍáÏ¥	Tire, front	1
3	401200-PJ3-000	¼ÆÊýÆ ÷ × é¼þ	Gear box , speedometer	1
4	401002-PJ3-000	Ç° ÄÖÖÖÖáÍ ×	Bushing, RH, Fr. wheel	1
5	401110-PJ3-000	Ç° ÄÖéþ × é¼þ	Rim, Fr. wheel assy	1
6	401100-PJ3-000	Ç° ÄÖéþ	Rim, Fr. wheel	1
7	401101-PJ3-000	ÖÐ¼ã, ôÏ ×	Bushing, Center	1
8	401009-PJ3-000	• Ä³¼ • á	Dust seal, 40*50*5	1
9	GB/T278-1982	Öá³ Ð6301	Bearing, 6301	2
10	401008-PJ3-000	ÓÍ • á	Oil seal, 23*37*7	1
11	401003-PJ3-000	Ç° ÄÖÖá	Axle, Fr. wheel	1
12	404001-PJ3-000	¼úÊ² ÄÏ	Disk, Fr. brake	1
13	GB/T70. 1-2000	ÄÜÁú¼ÇÖ² ÖúÄÝË ·· M6*18	Hexagon socket head cap screws, M6*18	4
14	GB/T6187-1986	Áú¼Ç • ·· Ä¼ × ÔËøÄÝÄ, M12	Nut, flange, M12	1

© ERING ERGOLDING

F18

F19

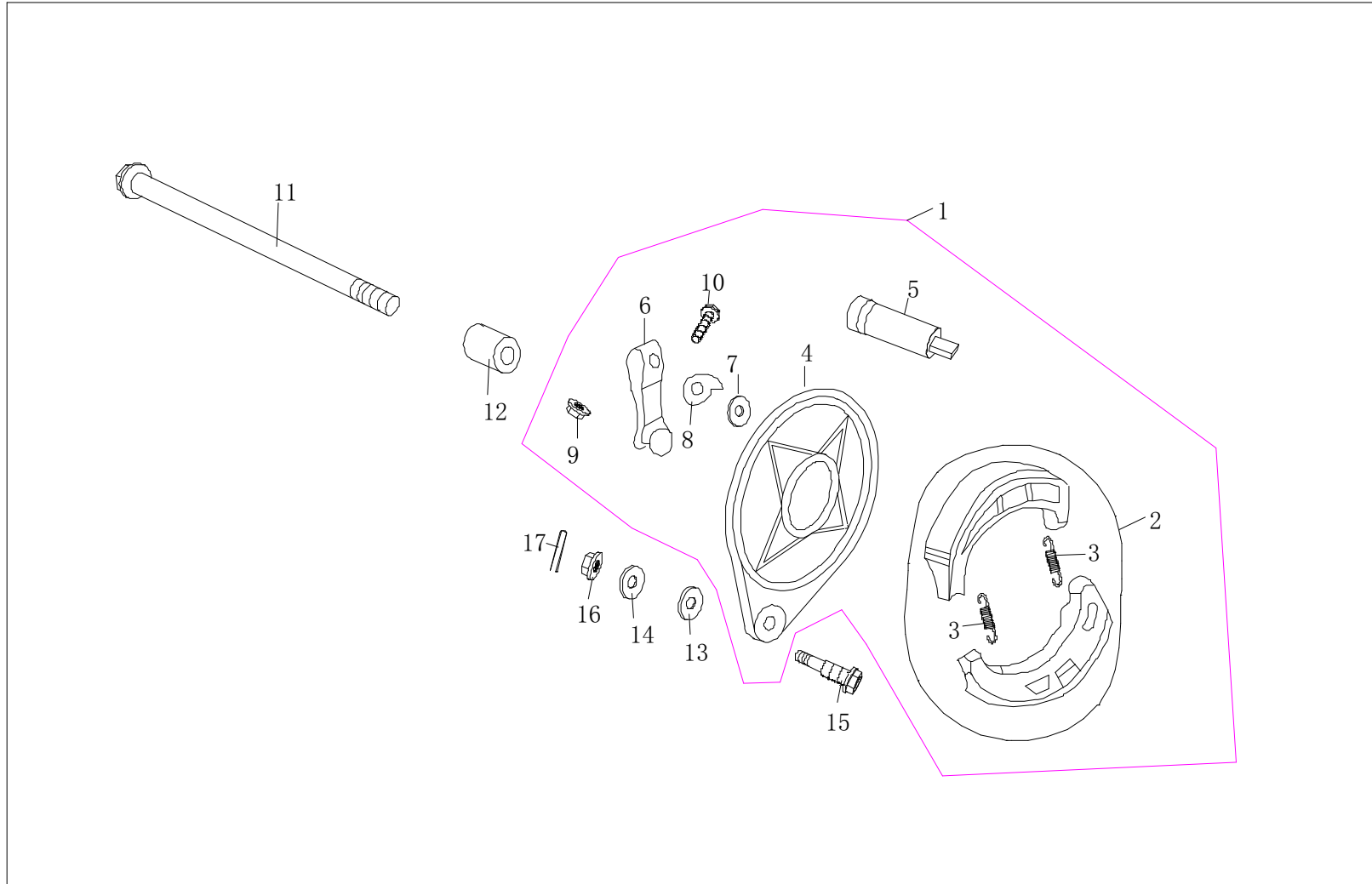
Steering bar assy





**F20**

Rear Brake Panel Assy



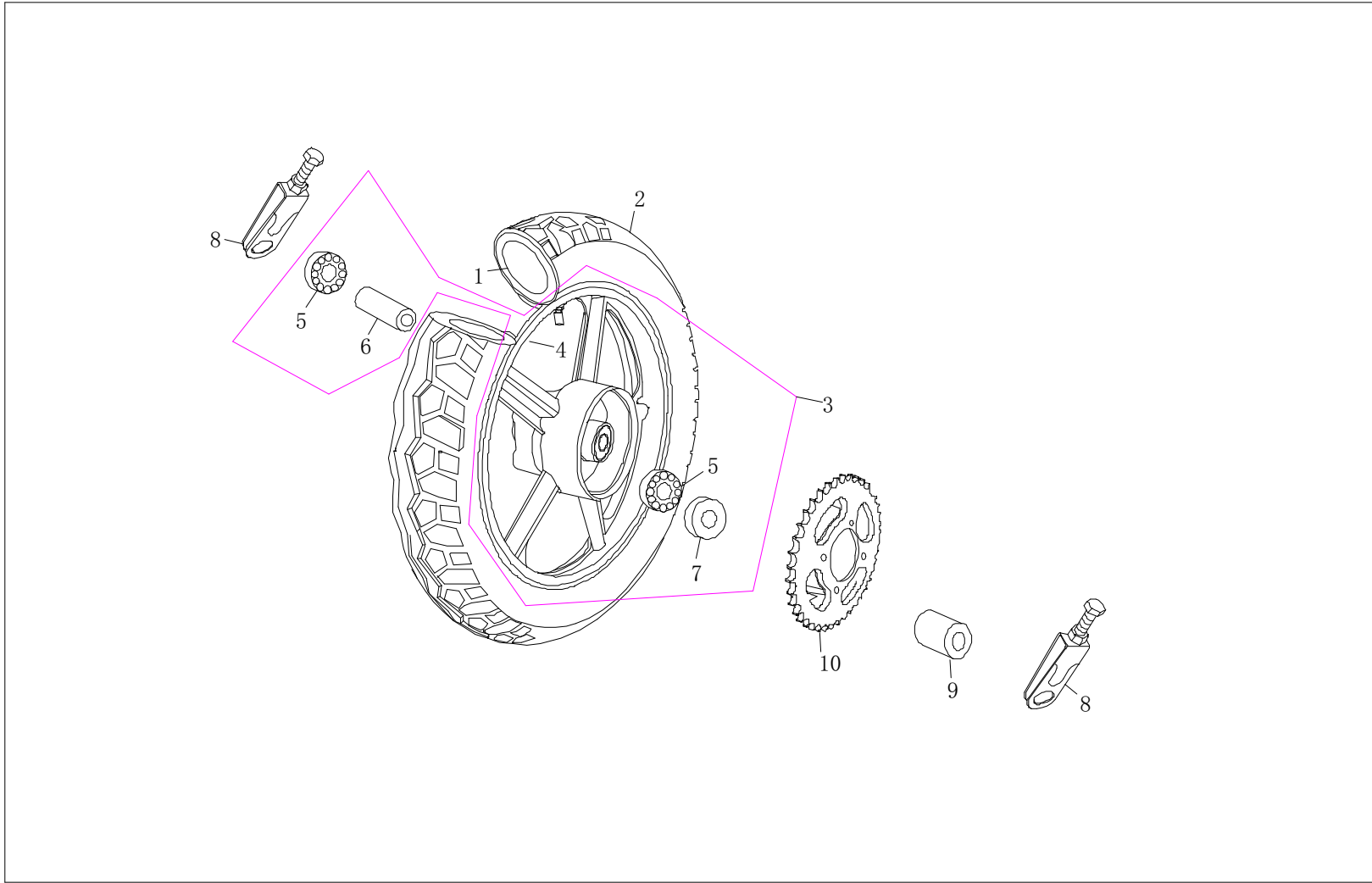
F20

Đò °Å	Áã ×é ¼p Í¼ °Å	ÖÐ ÍÄ Äû ³E	Óø ÍÄ Äû ³E	Êý Á¿
No.	Component and Part No.	Chinese Name	English Name	Quantity
1	340100-PJ3-000	°óÖÆÍ ì ±, Ç×é°Í	Rear Brake Panel Assy	1
2	340110-PJ3-000	ÖÆÍ Ìã¿é½°½Ó×é°Í	Brake Shoe Assy	1
3	340103-PJ3-000	ÖÆÍ Ä→É	Spring, brake shoe	2
4	340120-PJ3-000	°óÖÆÍ ì ±, Ç	Rear Brake Panel	1
5	340101-PJ3-000	°óÖÆÍ Í' ÄÖÖá	Rear Brake Cam	1
6	340102-PJ3-000	°óÖÆÍ Ò; ±Ó	Rear Brake arm	1
7	340306-PJ3-000	• Ä³ ¼µæÈ	Dust seal,	1
8	340304-PJ3-000	°óÖÆÍ ÄÇ»É	Indicator, Fr. brake	1
9	GB/T6170-1986	ÂÝÄ, M6	Nut, 6mm	1
10	GB/T5789-1986	Áú½Ç • Ä¼ÄÝË Ä M6X35	<b>Bolt, flange, 6X35</b>	1
11	360001-PJ3-000	°óÄÖÖá	Axle, RR, wheel	1
12	360002-PJF-000	°óÄÖÖáÓÓ³ ÄÏ×	Bushing, RH, RR wheel	1
13	340305-PJ3-000	Ïð½° µæ	Rubber, stopper arm	1
14	GB/T97. 1-1985	µæÈ	Washer, 8mm	1
15	GB/T5789-1986	ÂÝË Ä	Hexagon Flange bolts	1
16	GB/T6177-1986	ÂÝÄ, M8	Nut, Flange, 8mm	1
17	340302-PJ3-000	¿ª ¿ÚÏú, 2. 0X15	Split Pins, 2. 0X15	1

© ERING ERGOLDING

**F21**

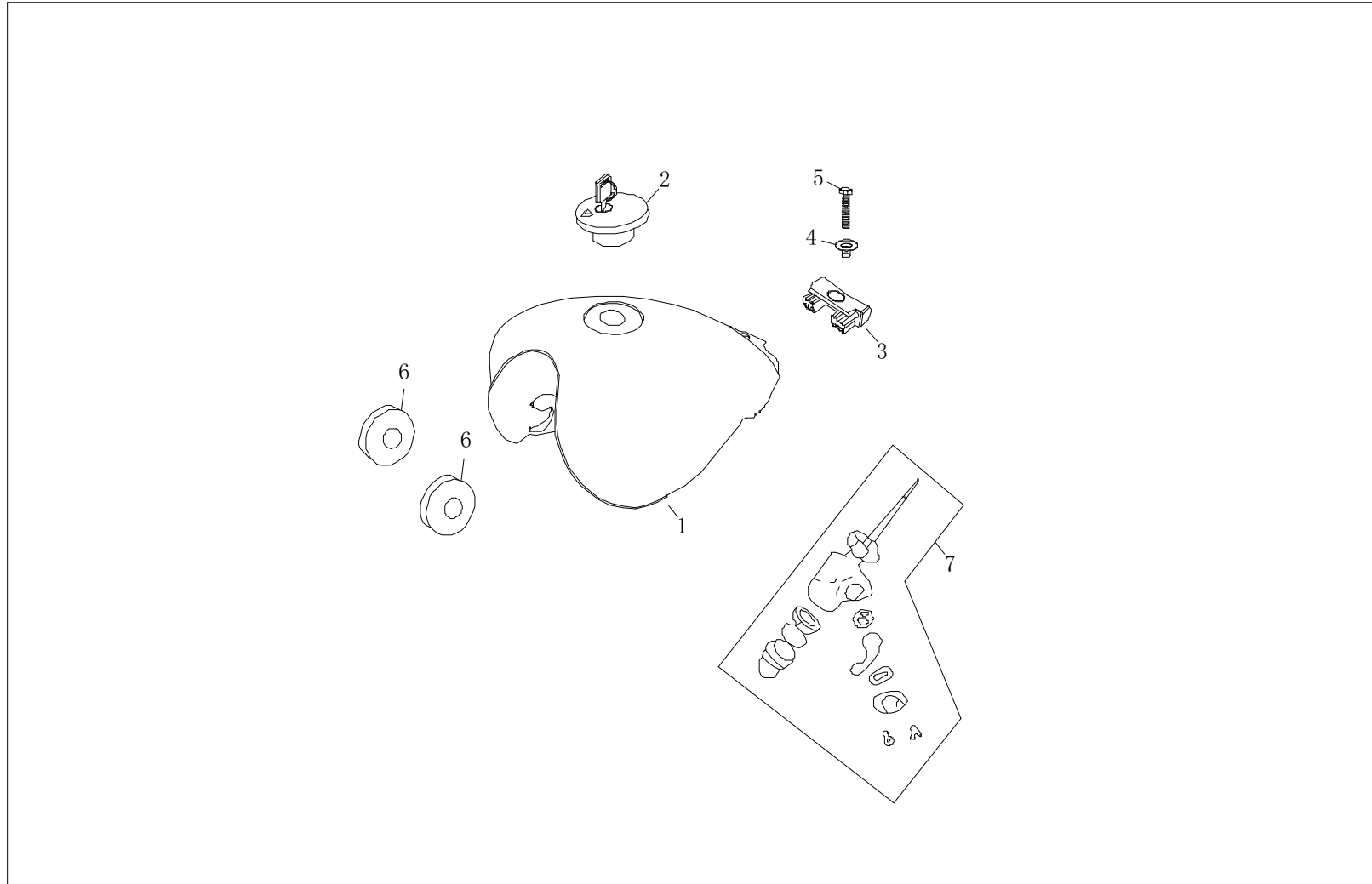
Rear Wheel Comp





F22

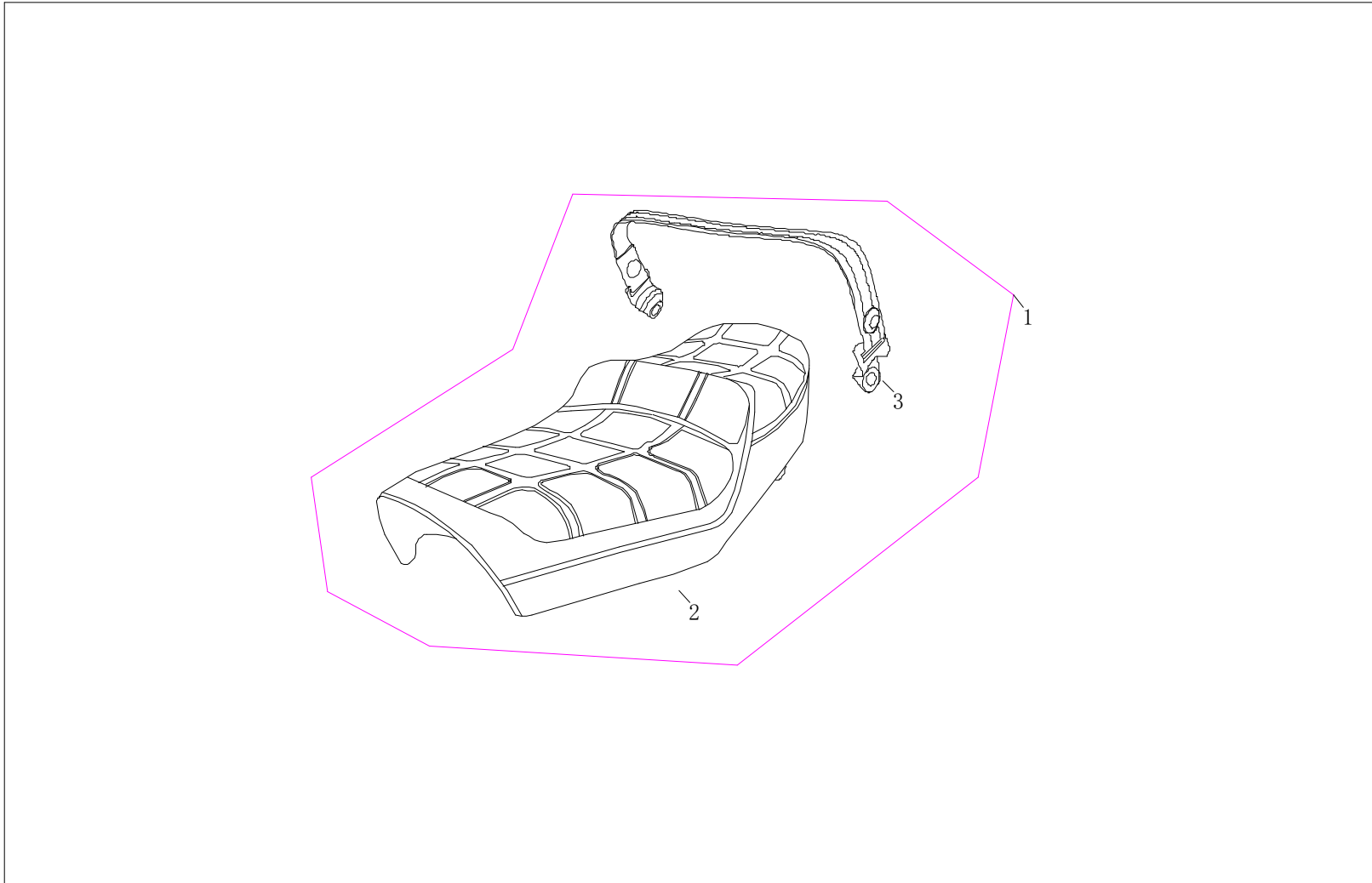
Fuel





F23

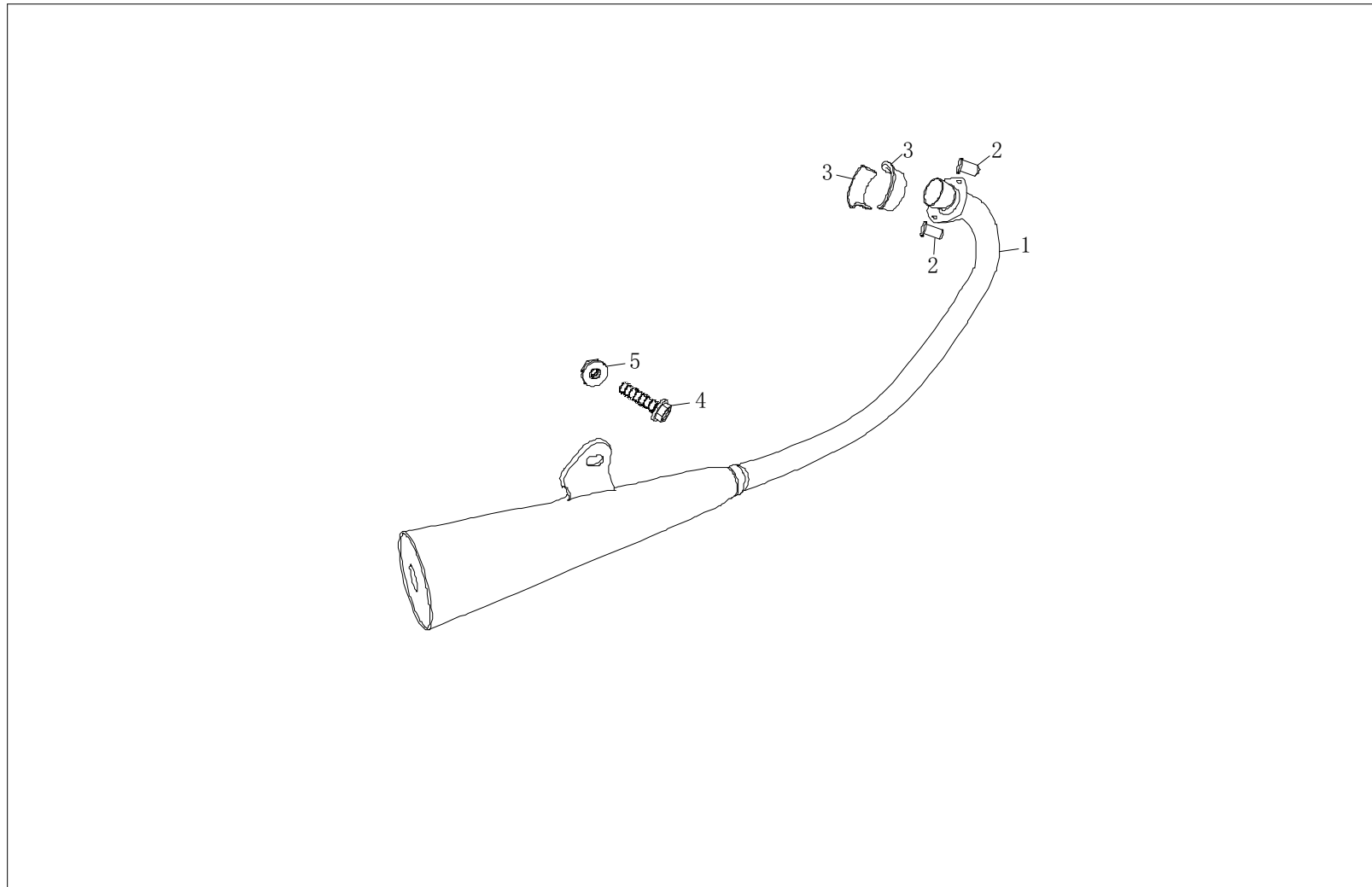
Seat





**F24**

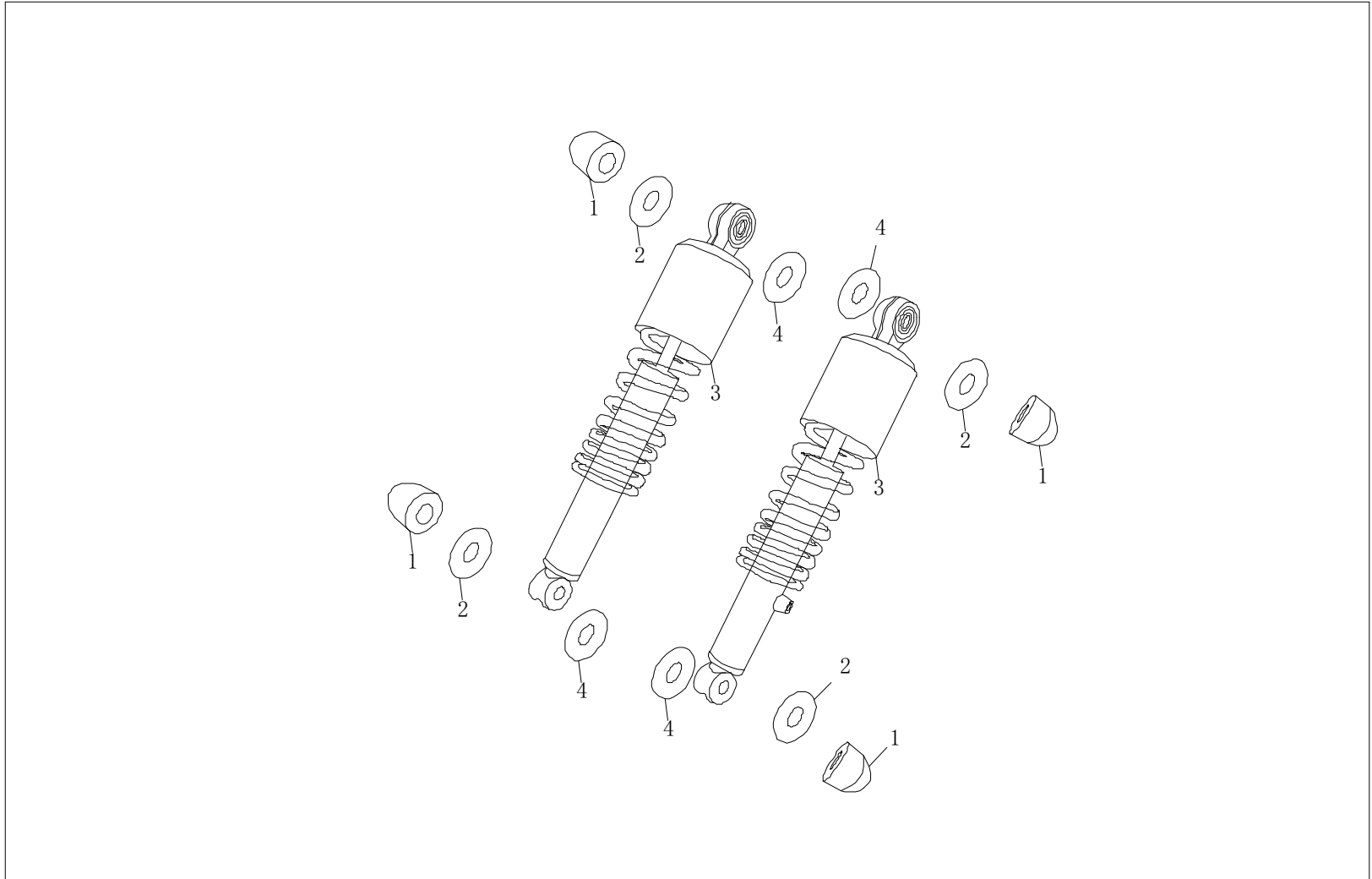
Ex Muffler Comp





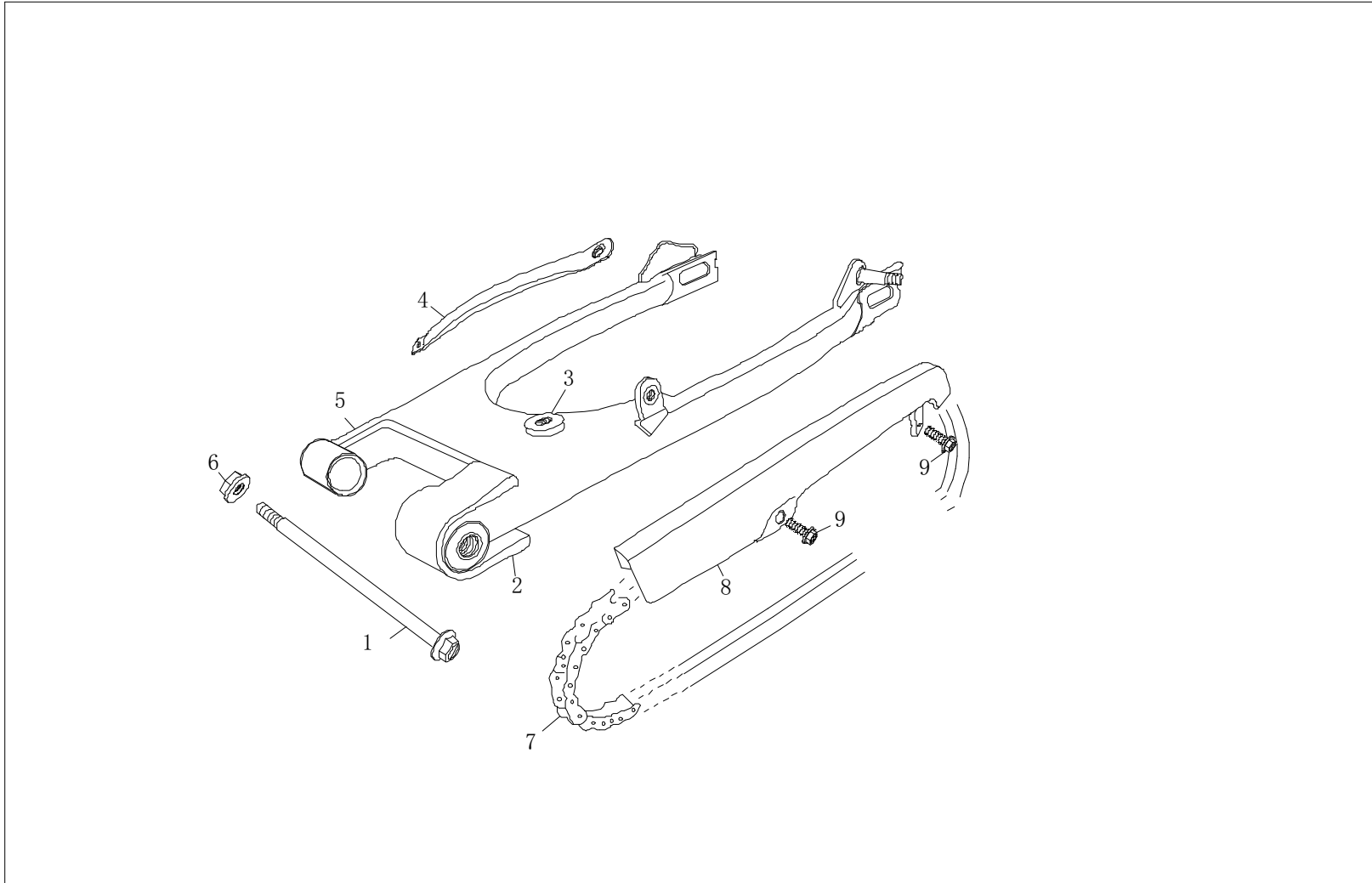
**F25**

Rear Shock Absorber



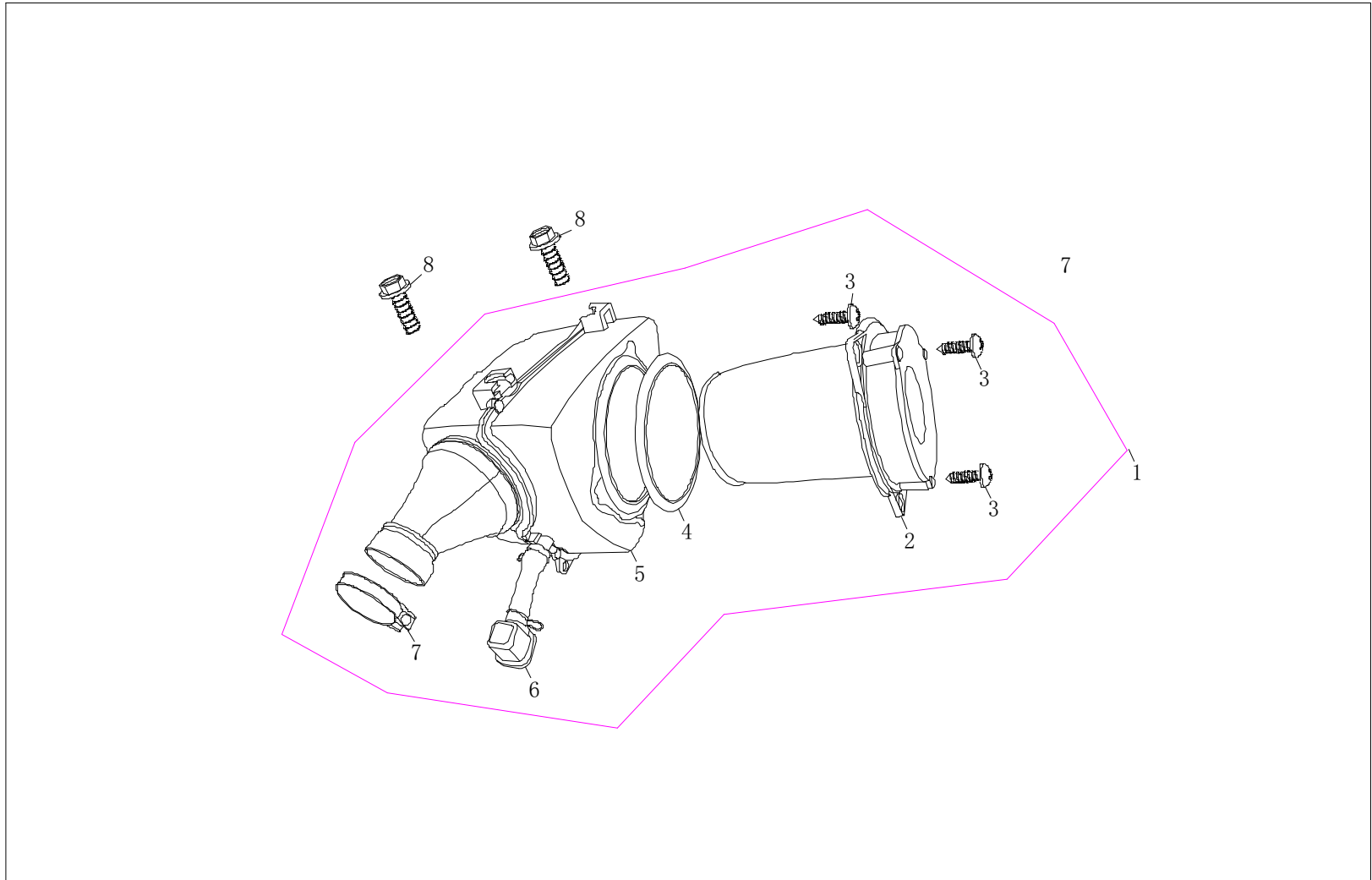


**F26** Rear Swinging Arm, Chain Case





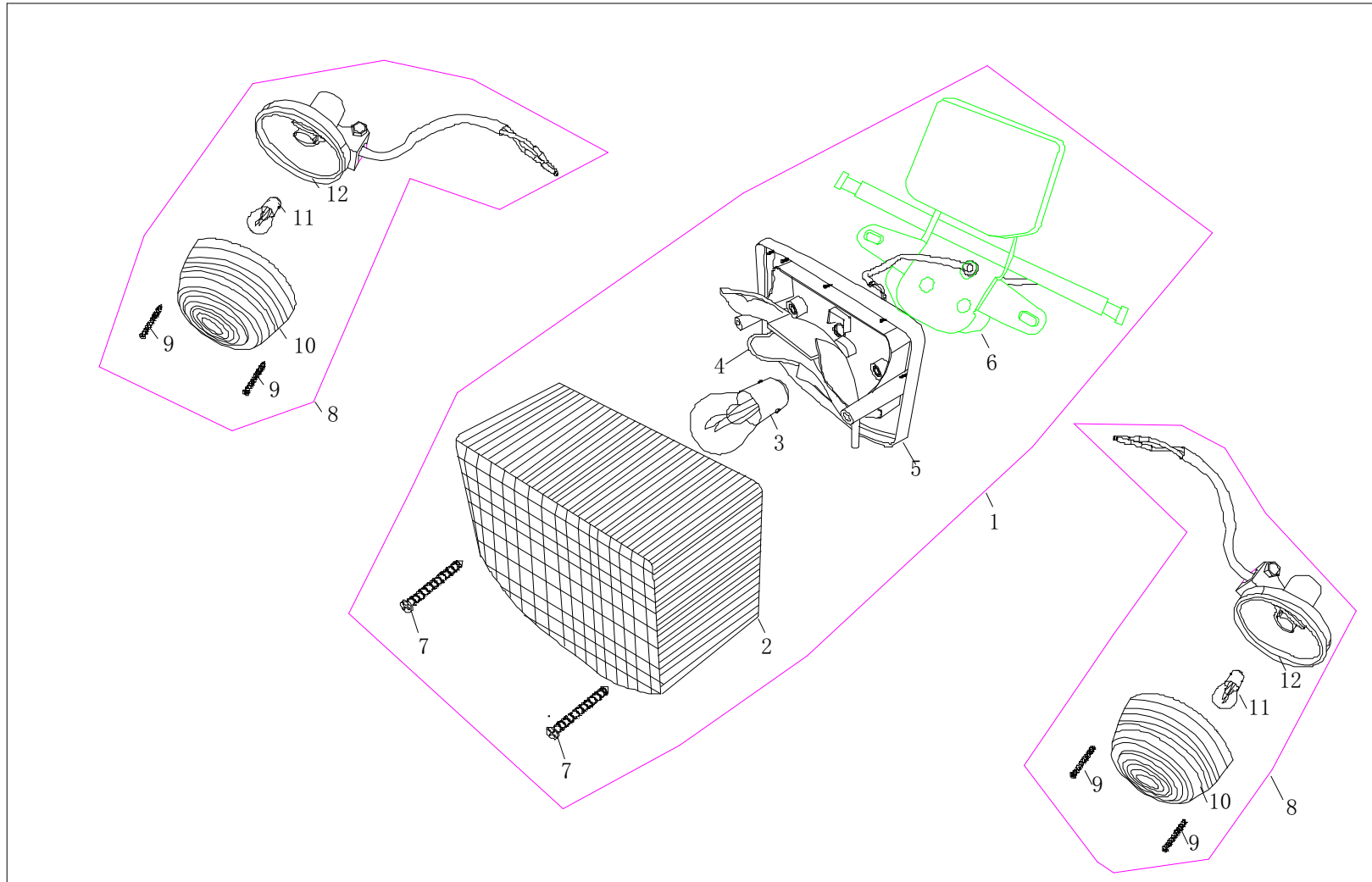
**F27** Air Cleaner





F28

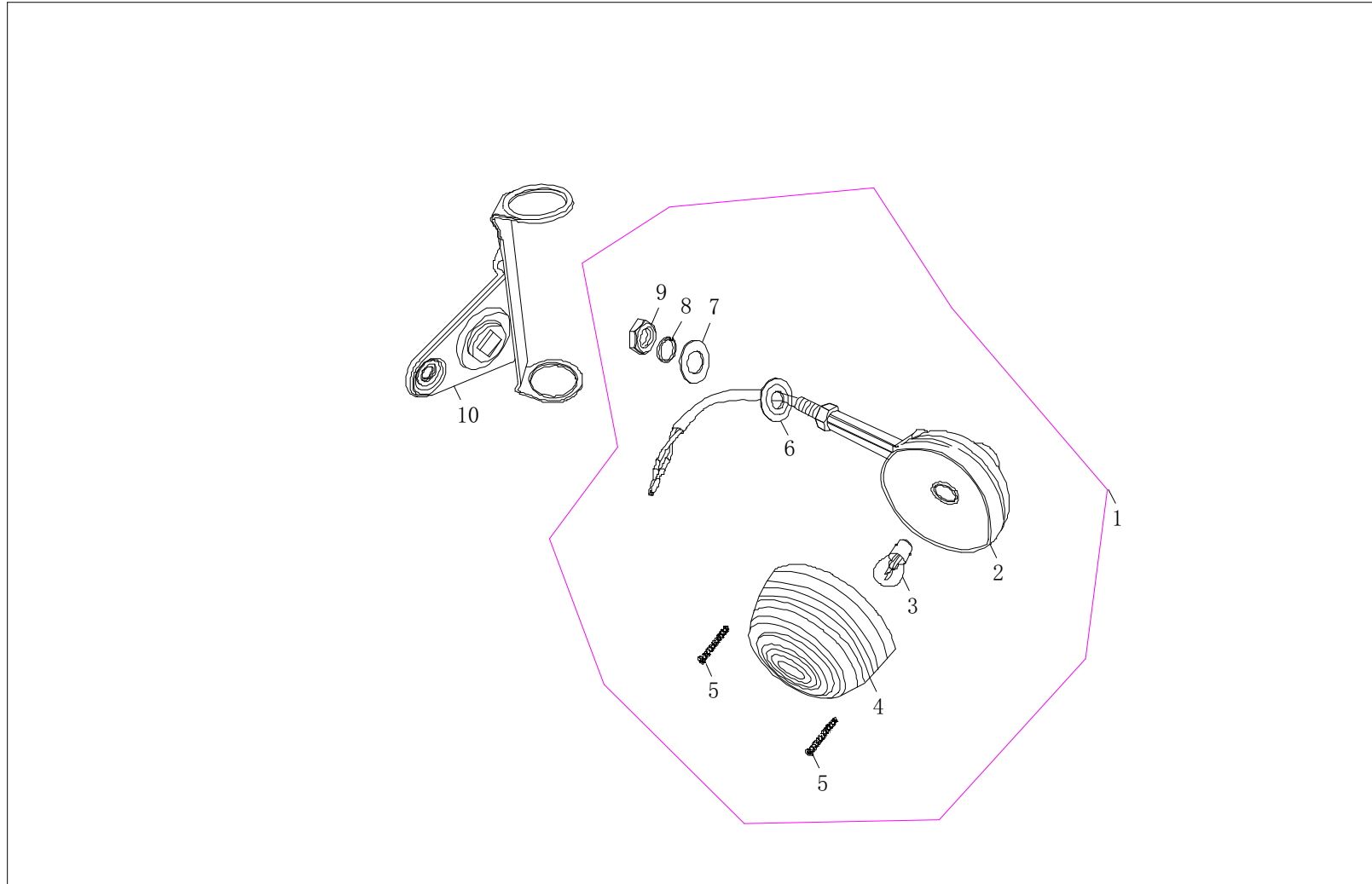
Taillight Assy





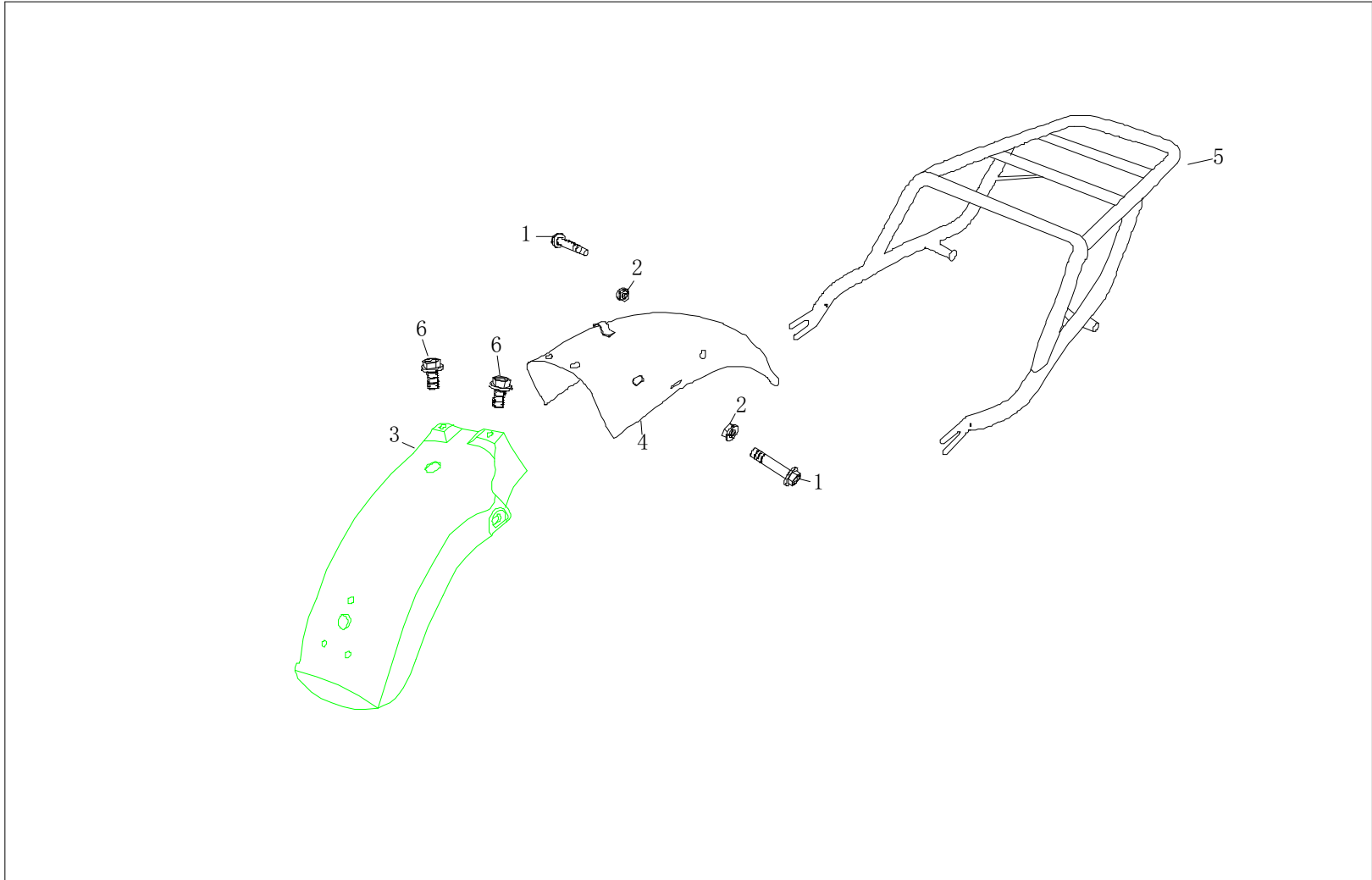
**F29**

Front Turn Signal Lights





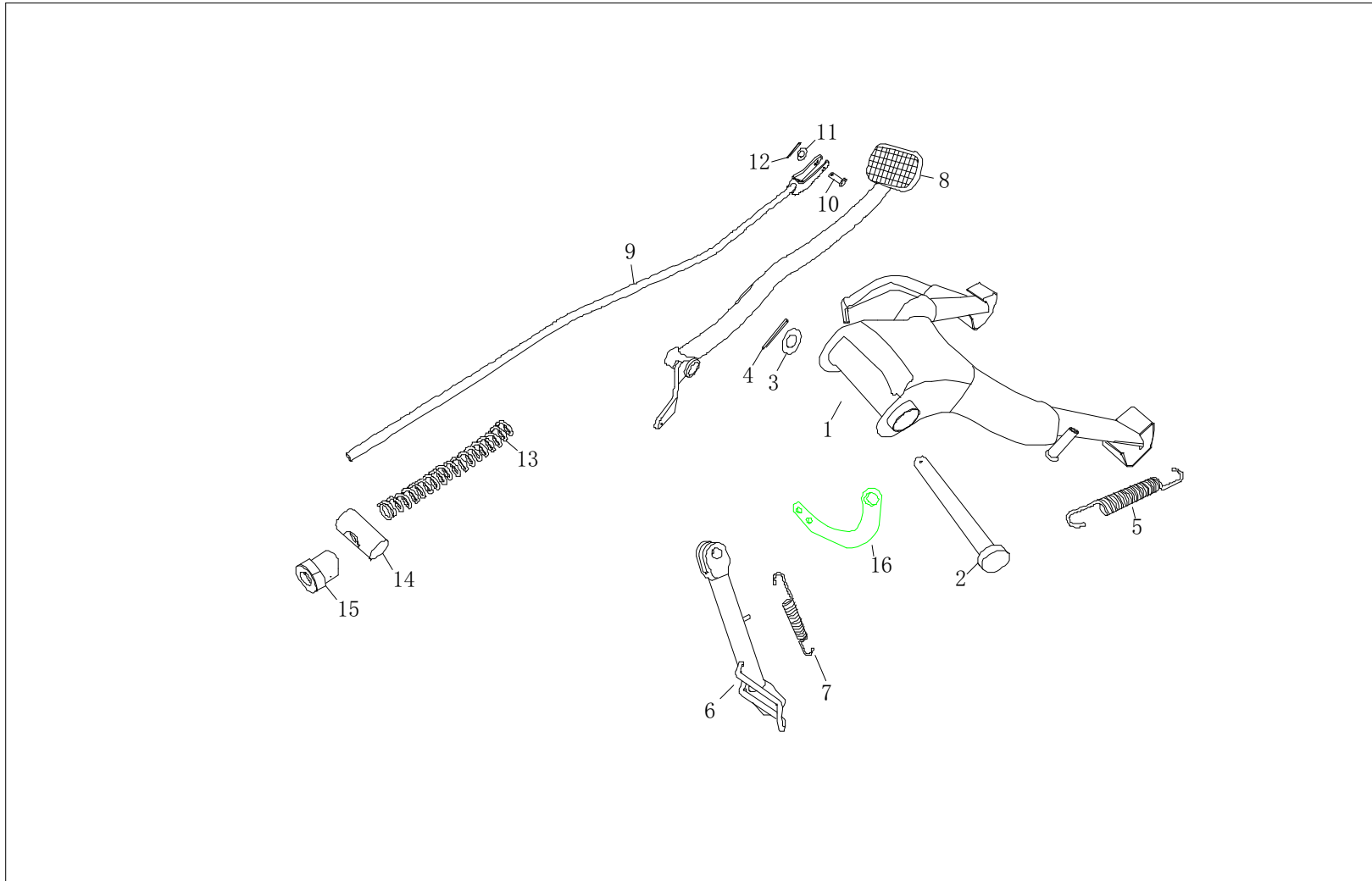
**F30** Rear fender, Luggage Carrier





**F31**

Stand, Rear Brake Pedal Comp



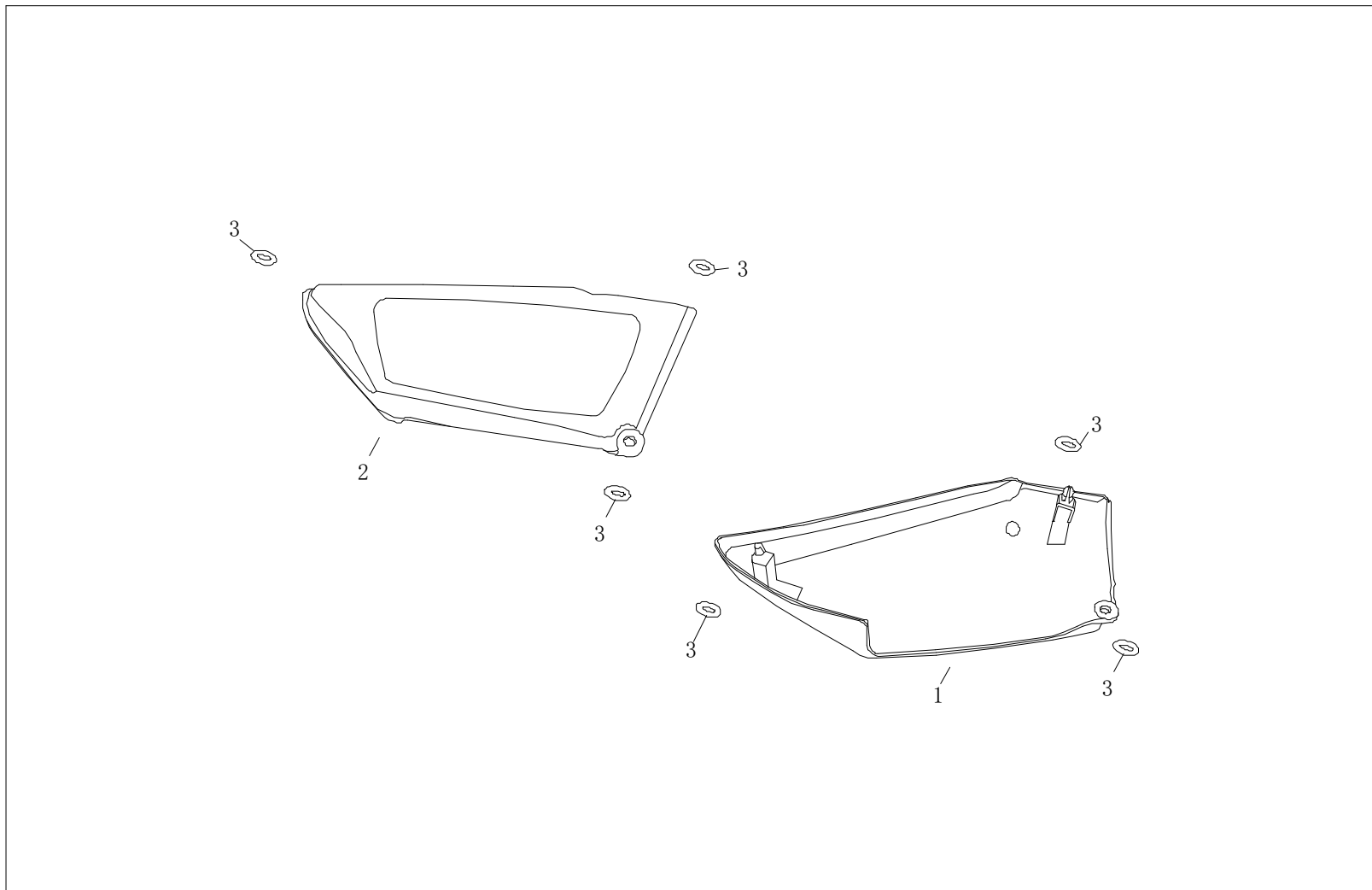
№	Component and Part No.	Chinese Name	English Name	Quantity
1	501210-PJ3-000	Ö÷Ö § ¼Ü°, ½Ó×é° Ī	Main stand	1
2	501201-PJ3-000	Ö÷Ö § ¼ÜÖá	Main stand axes	1
3	501205-PJ3-000	µæÈ!	Washer	1
4	GB/T91-86	¿ª ¿ÚĪú	Split Pins	1
5	501204-PJ3-000	Ö÷Ö § ¼Üµ»É	Spring, Main stand	2
6	501310-PJ3-000	²àÖ § ¼Ü°, ½Ó×é° Ī	Side stand	1
7	501302-PJ3-000	²àÖ § ¼Üµ»É	Spring, Side stand	1
8	408010-PJ3-000	°óÖÆĪ ĪĪ° à×é° Ī	Rear Brake Pedal	1
9	408020-PJ3-000	°óÖÆĪ Ī-, È×é° Ī	Brake rod	1
10	501503-PJ3-000	ĪúÖá	Clevis pins with head	1
11	GB/T97. 1-1985	µæÈ!	Washer	1
12	GB/T91-1986	¿ª ¿ÚĪú	Split Pins	1
13	408021-PJ3-000	°óÖÆĪ Ī-, Èµ»É	Spring, Brake rod	1
14	408022-PJ3-000	É²³ µÒĪ ±ŪĪú	Brake arm Pin	1
15	408023-PJ3-000	ÖÆĪ Ī-, ÈÄÝÄ,	Rear Brake Adjusting nut	1
16	501203-PJ3-000	Ö÷Ö § ¼Üµ»É¹ Ò¹³	Hanger, spring	1

© ERING ERGOLDING

F31

F32

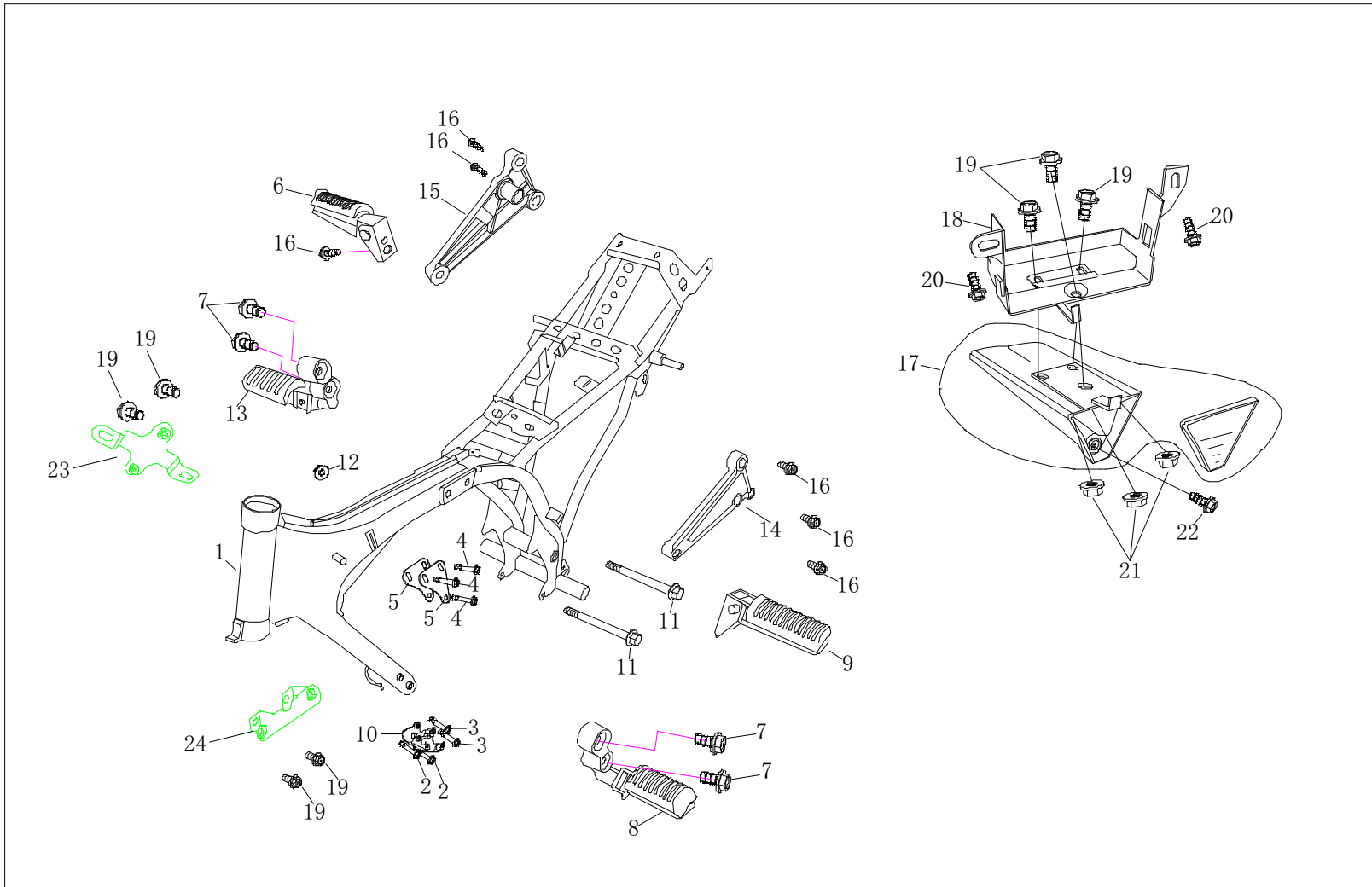
Side cover assy





F33

Frame Assy



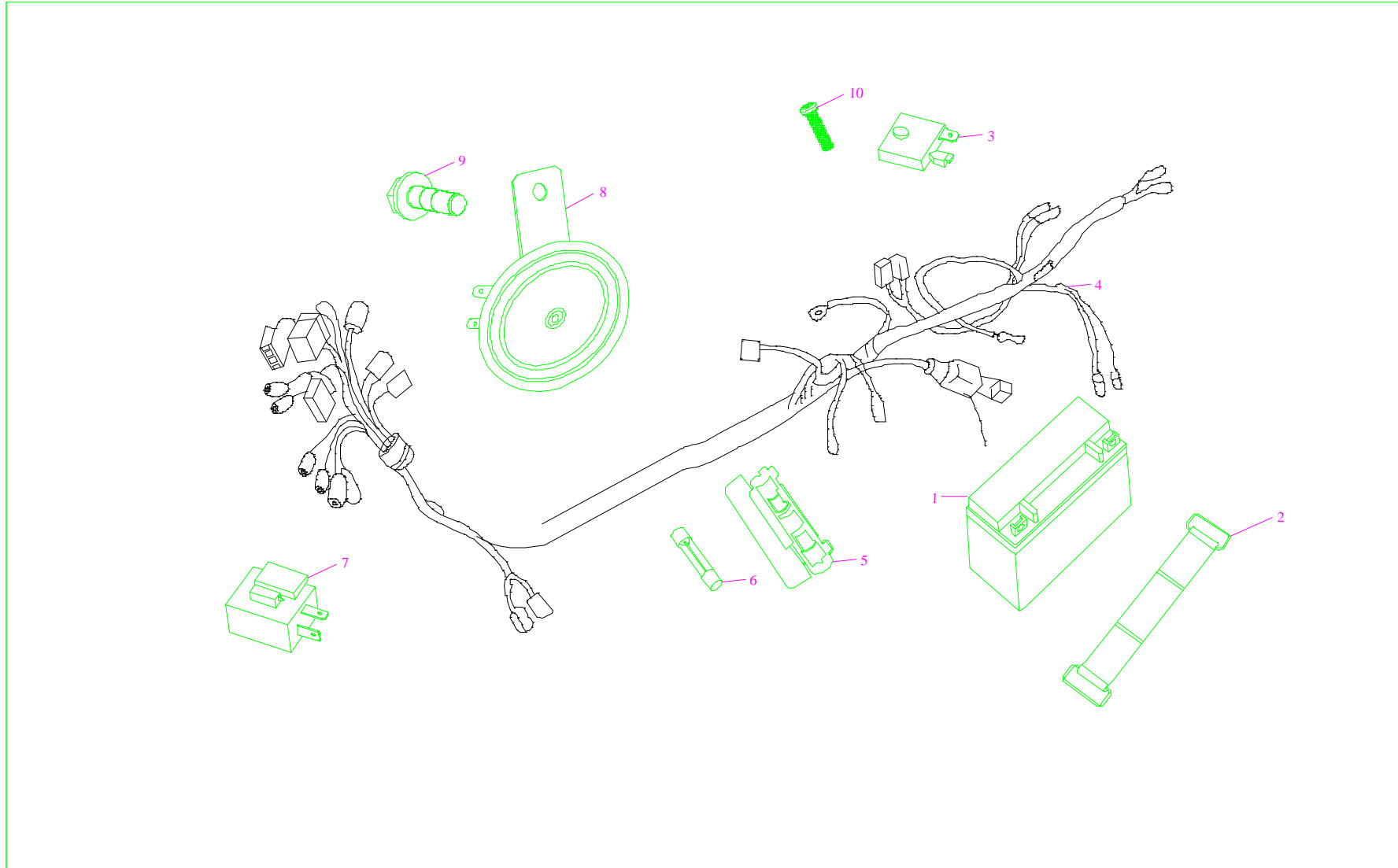
Đò °Á	Áä ×é ¼p Í¼ °Á	ÖÐ ÍÄ Äû ³Æ	Óç ÍÄ Äû ³Æ	Êý Áç
No.	Component and Part No.	Chinese Name	English Name	Quantity
1	501100-PJ3-000	³µ¼Ü°, ¼Ó×é¼p	Frame body welding assy	1
2	GB/T5789-1986	ÂÝË ¨ M8*90	Hexagon Flange bolts M8*90	2
3	GB/T5789-1986	ÂÝË ¨ M8*70	Hexagon Flange bolts M8*70	2
4	GB/T5789-1986	ÂÝË ¨ M8*60	Hexagon Flange bolts M8*60	3
5	501107-PJ3-000	µδ¼Ü° ²×° ° ä	Fixing board, support	2
6	501510-PJ3-000	×ó° ó¼ÄÌÇ, Ê×é° Ĩ	Passenger Footrest (L.)	1
7	GB/T5789-1986	ÂÝË ¨ M8*30	Hexagon Flange bolts M8*30	2
8	501420-PJ3-000	ÓÒÇ° ¼ÄÌÇ, Ê×é° Ĩ	Footrest (R.)	1
9	501520-PJ3-000	ÓÒ° ó¼ÄÌÇ, Ê×é° Ĩ	Passenger Footrest (R.)	1
10	501020-PJ3-000	• ç¶ »úÍÐ¼Ü	Bracket, engine	1
11	GB/T5789-1986	ÂÝË ¨ M10*110	Hexagon Flange bolts M10*110	2
12	GB/T6170-1986	ÂÝÄ, M8	Nut M8	7
13	501410-PJ3-000	×óÇ° ¼ÄÌÇ, Ê×é° Ĩ	Footrest (L.)	1
14	508003-PJ3-000	×óÄ-¼Ó° ²×° ° ä	Bracket, L. Passenger Footrest	1
15	508004-PJ3-000	ÓÒÄ-¼Ó° ²×° ° ä	Bracket, R. Passenger Footrest	1
16	GB/T5789-1986	ÂÝË ¨ M10*30	Hexagon Flange bolts M10*30	6
17	173000-PJ3-000	¹Ç¼B° Ð×Ü³ Ê	Tool box assy	1
18	501080-PJ3-000	µçÆzÖ § ¼Ü	Battery box	1
19	GB/T5789-1986	Äù¼Ç • ¨ Ä¼ÄæÂÝË ¨ M6*12	Hexagon Flange bolts M6*12	7
20	GB/T5789-1986	Äù¼Ç • ¨ Ä¼ÄæÂÝË ¨ M6*16	Hexagon Flange bolts M6*16	2
21	GB/T6177-1986	Äù¼Ç • ¨ Ä¼ÄæÂÝÄ, M6	Nut M6	3
22	GB/T818-1985	Ê®×Ö° ÇÄÍÍ • ÂÝ¶Ç M6*12	Nut M6*12	1
23	50100C-PJ3-000	, BÑ¹ ° uÖ § ¼Ü	Bracket, Ignition coil	1
24	50100D-PJ3-000	ÖûÄ ÷ Æ ÷ Ö § ¼Ü	Bracket&Rectifier Comp,	1

F33

© ERING ERGOLDING

F34

Wire Harness Assy.





F35

Mark

1

**ATTENTION**

**COLD TYRE PRESSURES:**

Front:	220kPa	2.2kg/cm <sup>2</sup>	2
Rear:	250kPa	2.5kg/cm <sup>2</sup>	2

Tyres specification : Front: 90/90-16 51P Rear: 110/90-16 51P

Please use the recommended engine oil SAE 15W40 SF

Engine oil capacity:

Total capacity:	0.95	l
Replacing capacity:	0.8	l

ⓘ After replacing the engine oil, please confirm capacity with dipstick.

2

MADE NAME: GUOCHI

VEHICLE CATEGORY: B

1U-2408 1U-2408 1U-2408 1U-2408

1U-2408 1U-2408 1U-2408 1U-2408

1stED	2815
3rdT	44.5
5thT	61.8
7th	84.4
9thT	104.2
11th	124.0
12th	

3

S

5

GUOCHI MOTORCYCLE INDUSTRIAL Co.,LTD

e4\*2002.24\*0751

85dB(A)-4500r/min

6

**DRIVE CHAIN**

KEEP CHAIN ADJUSTED AND LUBRICATED 15min

(3/5 to) free play

See Owner's Manual For instruction.

Free Play

4

**CAUTIONS**

- ⓘ Please wear helmet when riding.
- ⓘ Please obey the traffic rules for safety.
- ⓘ Please notice the hot exhaust pipe avoiding being scalded.
- ⓘ Please inspect and refill the motorcycle according to the provision item need to be inspected and refill.
- ⓘ Please check the performance, various lights, horn, tyres and meter.
- ⓘ Please read the manual before riding the motorcycle.

8

**SUPER SUS**

7

**ENGINE OIL**

ⓘ Please use the recommended engine oil SAE 15W40 SF.

ⓘ Please use the recommended engine oil SAE 15W40 SF.

ⓘ Please use the recommended engine oil SAE 15W40 SF.

ⓘ Please use the recommended engine oil SAE 15W40 SF.

ⓘ Please use the recommended engine oil SAE 15W40 SF.

ⓘ Please use the recommended engine oil SAE 15W40 SF.

ⓘ Please use the recommended engine oil SAE 15W40 SF.

ⓘ Please use the recommended engine oil SAE 15W40 SF.

ⓘ Please use the recommended engine oil SAE 15W40 SF.

ⓘ Please use the recommended engine oil SAE 15W40 SF.

9

A5

10

C5

11

D5

12

BT5

13

e4E10

Đò °Á	Áã ×é ¼p Í¼ °Á	ÖÐ ÍÁ Æú ðÆ	Óé ÍÁ Æú ðÆ	Êý Á¿
No.	Component and Part No.	Chinese Name	English Name	Quantity
1	830319-PJ3-000	ÄÖÍÿ ± êÍù	Mark,tyre	1
2	830303-PJ3-000	·Ä,Ä×°ÄúÄÆ±êù	Mark,nameplate	1
3	830308-PJ3-000	¿ÖÄËÆ±êù	Mark,air cleaner	1
4	830314-PJ3-000	ÓÍÍã¼, æ ± êÖ¼	Mark,caution	1
5	830101-PJ3-000	ÿ¼ÄÜÄúÄÆ	Nameplate,main frame	1
6	830321-PJ3-000	Á ÖÖ±êù	Mark,drive chain	1
7	830307-PJ3-000	»úÓÍ±êù	Mark,engine oil	1
8	830213-PJ3-000	Ç°¼öÖöù»	Mark,front shock absorber	2
9	830309-PJ3-000	¼øÆø°Ü·Ä,Ä×°±êù(A5)	Mark A5	1
10	830312-PJ3-000	¼Í·Ä,Ä×°±êù(C5)	Mark C5	1
11	830313-PJ3-000	¼Íã·Ä,Ä×°±êù(D5)	Mark D5	1
12	830315-PJ3-000	»- ÓÍÆ÷·Ä,Ä±êÇ©(BT5)	Mark,carburetor(BT5)	1
13	830311-PJ3-000	¿ÖÄËÆ ÷ ± êÍù (e4-E10)	Mark (e4-E10)	1
14	830201-PJ3-000	ÓÍÍã × ó² äÍù»	Mark,L.fuel tank	1
15	830202-PJ3-000	ÓÍÍã ö² äÍù»	Mark,R.fuel tank	1
16	830203-PJ3-000	× ó² ä, ÇÍù»	Mark, side body£ ¨ L. £©	1
17	830204-PJ3-000	ö² ä, ÇÍù»	Mark, side body£ ¨ R. £©	1

F35

© ERING ERGOLDING