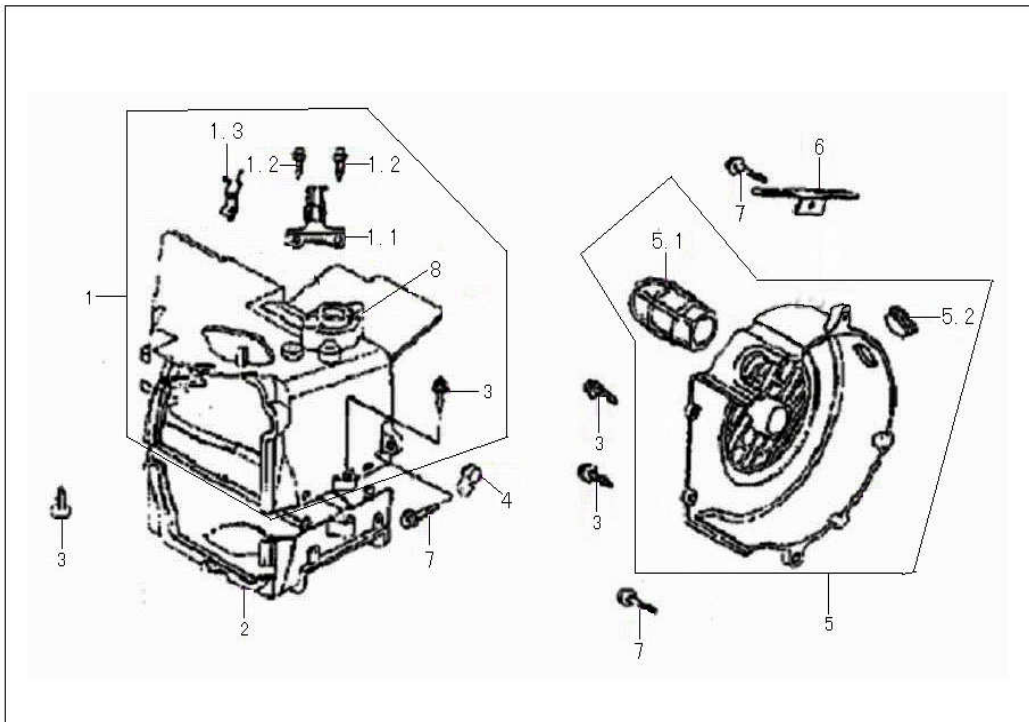


BAOTIAN ROCKY 125 ERSATZTEILE HANDBUCH BT125T-12E

F1 Cover breathe & Cover shroud

进气罩·导风罩

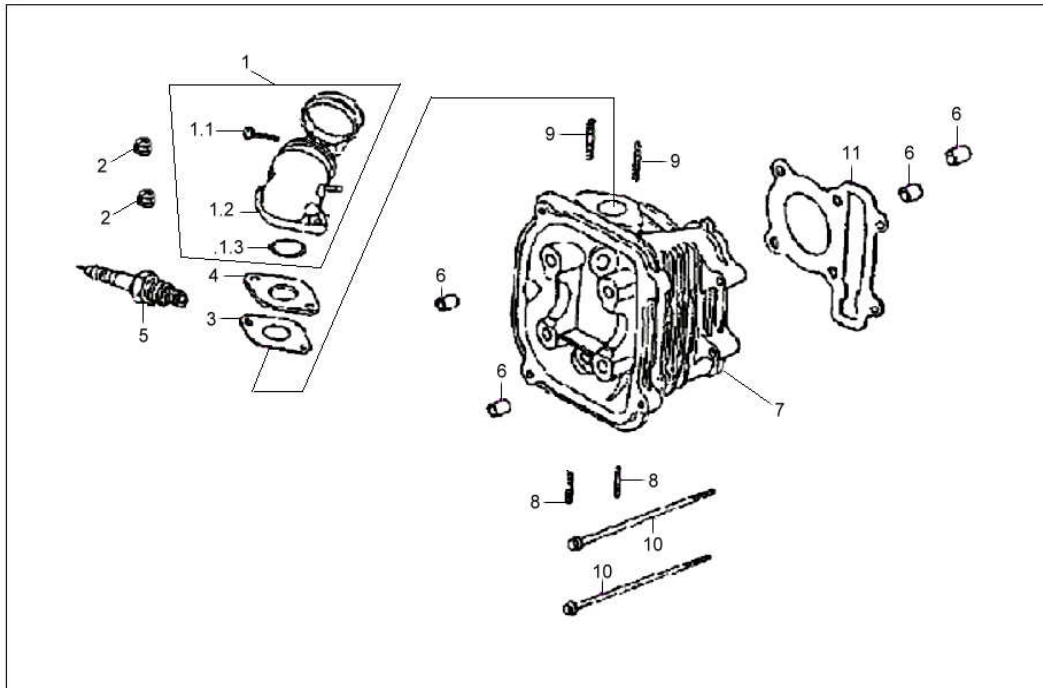


F1 Cover breathe & Cover shroud

NO.	Component and Parts No.	English Name	Quantity
F1/1	119010-152QMI-0000	Shroud upper assy.	1
F1/1.1	119011-152QMI-0000	Clamper,breather tube	1
F1/1.2	GB/T5782-M5×16	Screw tapping ST5×16	2
F1/1.3	119013-152QMI-0000	Cord clip	1
F1/2	119020-152QMI-0000	Shroud nether assy.	1
F1/3	GB/T5782-M5×16	Screw tapping ST5×16	4
F1/4	103005-152QMI-0000	Overflow oil tube clip	1
F1/5	119030-152QMI-0000	Intake air cover assy.	1
F1/5.1	119033-152QMI-0000	Cooling tube	1
F1/5.2	119031-152QMI-0000	Observed plug	1
F1/6	119034-152QMI-0000	Start motor wire clip	1
F1/7	GB/T5787-M6×25	Bolt M6×25	3
F1/8	119012-152QMI-0000	Tensioner mulch	1

F2 Cylinder head

气缸头

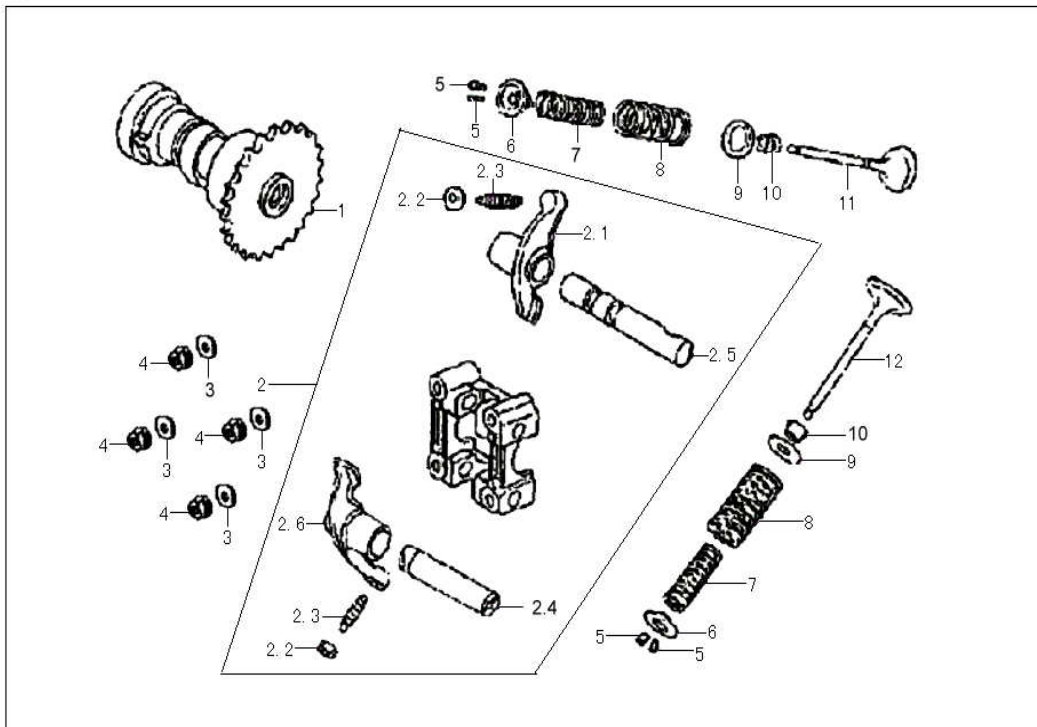


PAGE NO.	Component and Part NO.	English Name	Quantity
F2/1	101304-152QMI-0000	Clamper	1
F2/1.1	GB/T 818-M4x25	Screw M4x25	1
F2/1.2	101302-152QMI-0000	Pipe in	1
F2/1.3	GB/T3452.1-27x2.0	O-ring 27x2.0	1
F2/2	GB/T6177-M6	Nut M6	2
F2/3	101305-152QMI-0000	Carburetor base insulator	1
F2/4	101306-152QMI-0000	Insulator washer	1
F2/5	101201-139QMA-0000	Spark plug	1
F2/6	101204-152QMI-0000	Dowel Pin	4
F2/7	101210-152QMI-0000	Cylinder head assy.	1
F2/8	101202-152QMI-0000	2-stud bolt M6x32	2
F2/9	101301-152QMI-0000	2-stud bolt M6x63	2
F2/10	GB/T5787-M6x100	Bolt M6x100	2
F2/11	101205-152QMI-0000	Cylinder head washer	1

F3

Camshaft & Valve

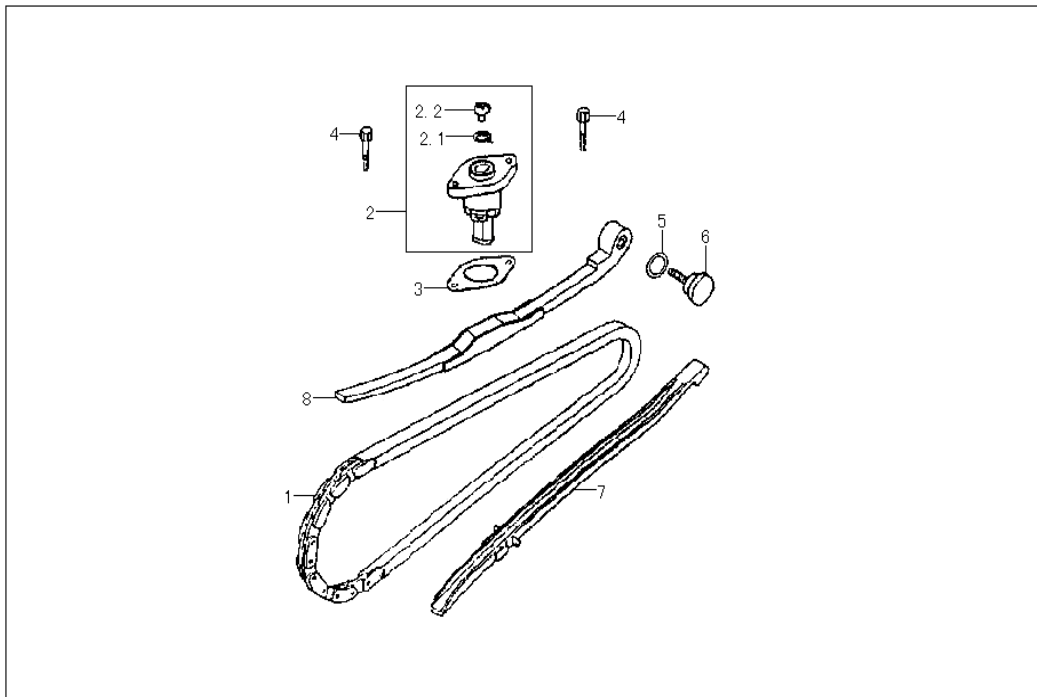
凸轮轴·气门



PAGE NO.	Component and Part NO.	English Name	Quantity
F3/1	118100-152QMI-0000	Camshaft assy.	1
F3/2	101430-152QMI-0000	Camshaft fixing base assy.	1
F3/2.1	101432-152QMI-0000	Arm,vale rocker	2
F3/2.2	101433-152QMI-0000	Nut	2
F3/2.3	101434-152QMI-0000	Adjusting screw	2
F3/2.4	101436-152QMI-0000	Shaft comp.,Ex.	1
F3/2.5	101435-152QMI-0000	Shaft comp., In	1
F3/2.6	101414-152QMI-0000	Arm,vale rocker,Ex.	1
F3/3	GB/T97.1-8.4×18×2	Washer 8.4×18×2	4
F3/4	101203-152QMI-0000	Nut M8	4
F3/5	101408-152QMI-0000	Valve lock clip	4
F3/6	101407-152QMI-0000	Valve spring set	2
F3/7	101405-152QMI-0000	Valve inner spring	2
F3/8	101406-152QMI-0000	Valve outer spring	2
F3/9	101404-152QMI-0000	Valve outer spring gasket	2
F3/10	GB/T13871-5×10.5×8.3	Oil seal , valve robb 5×10.5×8.3	2
F3/11	101402-152QMI-0000	Intake valve	1
F3/12	101401-152QMI-0000	Exhaust valve	1

F4 Camchain & Tensioner

正时链条·张紧器

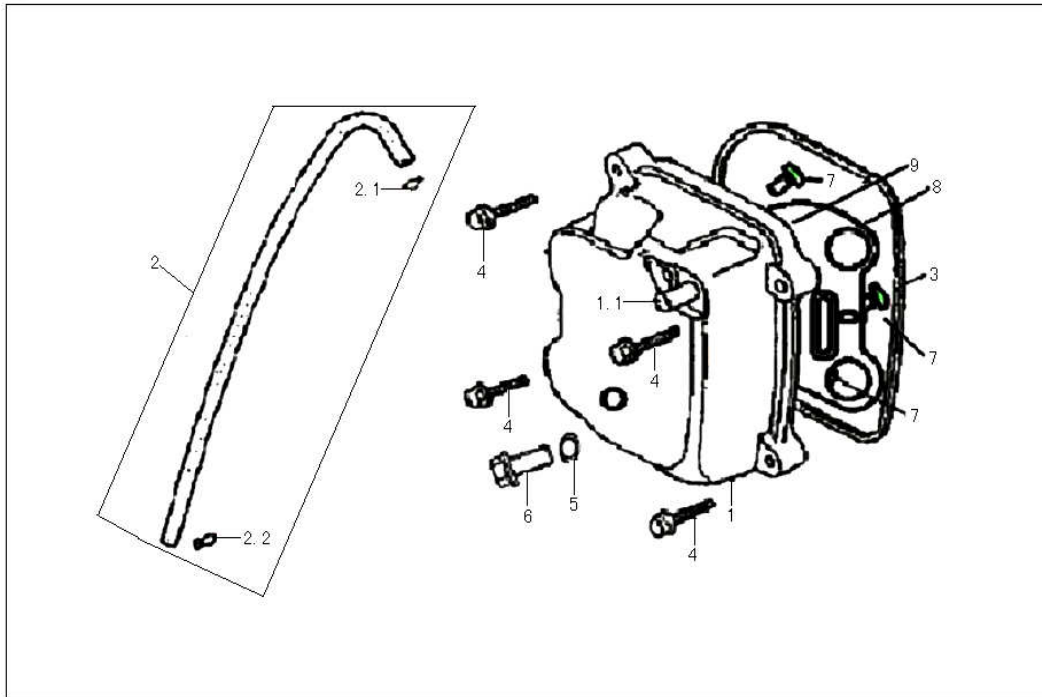


PAGE NO.	Component and Part NO.	English Name	Quantity
F4/1	118200-152QMI-0000	Timing chain	1
F4/2	118300-152QMI-0000	Tensioner assy.	1
F4/2.1	GB/T3452.1-9.5×1.5	O ring, brake shoe fixing shaft9.5×1.5	1
F4/2.2	118301-152QMI-0000	Bolt M6×6	1
F4/3	118002-152QMI-0000	Tensioner washer	1
F4/4	GB/T5787-M6×22	Bolt M6×22	2
F4/5	GB/T3452.1-15.2×1.5	O ring 15.2×1.5	1
F4/6	118001-152QMI-0000	Bolt,tensioning board M6×22	1
F4/7	118020-152QMI-0000	Oriented plate assy.	1
F4/8	118010-152QMI-0000	Tensioner assy.	1

F5

Cylinder head cover

气
缸
盖
罩

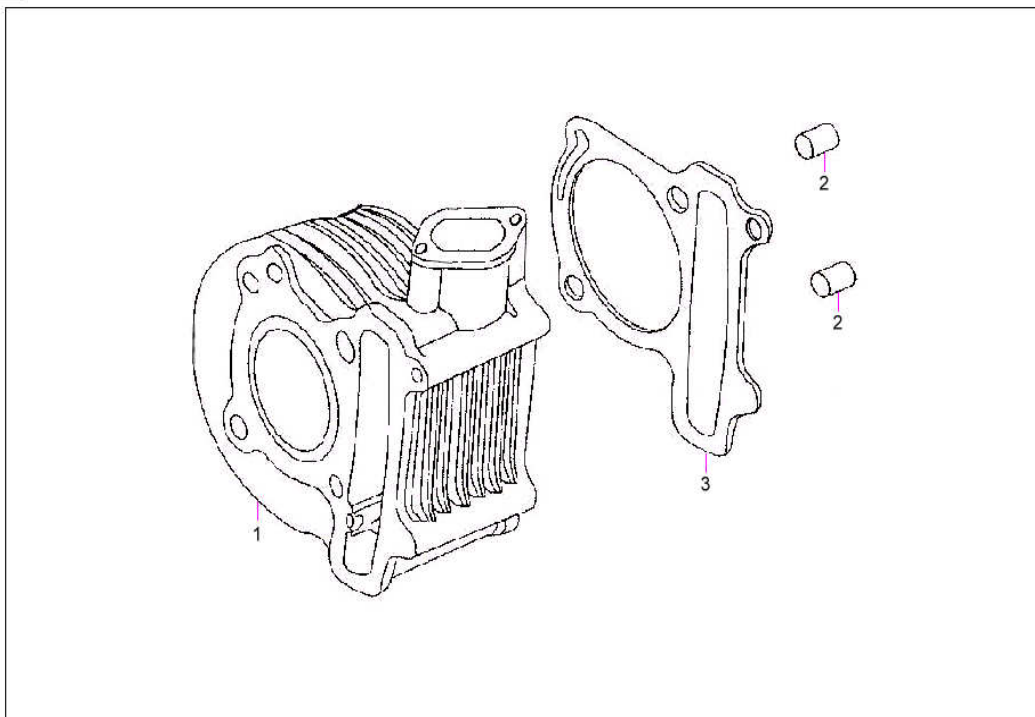


PAGE NO.	Component and Part NO.	English Name	Quantity
F5/1	101101-152QMI-0000	Cylinder head cover	1
F5/2	101105-152QMI-0000	Air tube assy.(long)	1
F5/2.1	101106-152QMI-0000	Tube clip B8	1
F5/2.2	101106-152QMI-0000	Tube clip B12	1
F5/3	101102-152QMI-0000	Cylinder head cover washer	1
F5/4	GB/T5787-M6×25	Bolt M6×25	4
F5/5	GB/T97.1-6	Airproof gasket φ6	1
F5/6	GB/T5789-M6×12	Bolt M6×12	1
F5/7	GB/T818-M4×8	Screw M4×8	3
F5/8	101103-152QMI-0000	Block oil plate	1
F5/9	101104-152QMI-0000	Block oil plate washer	1
F5/10	101110-152QMI-0000	Air tube joint assy.	1

F6

Cylinder

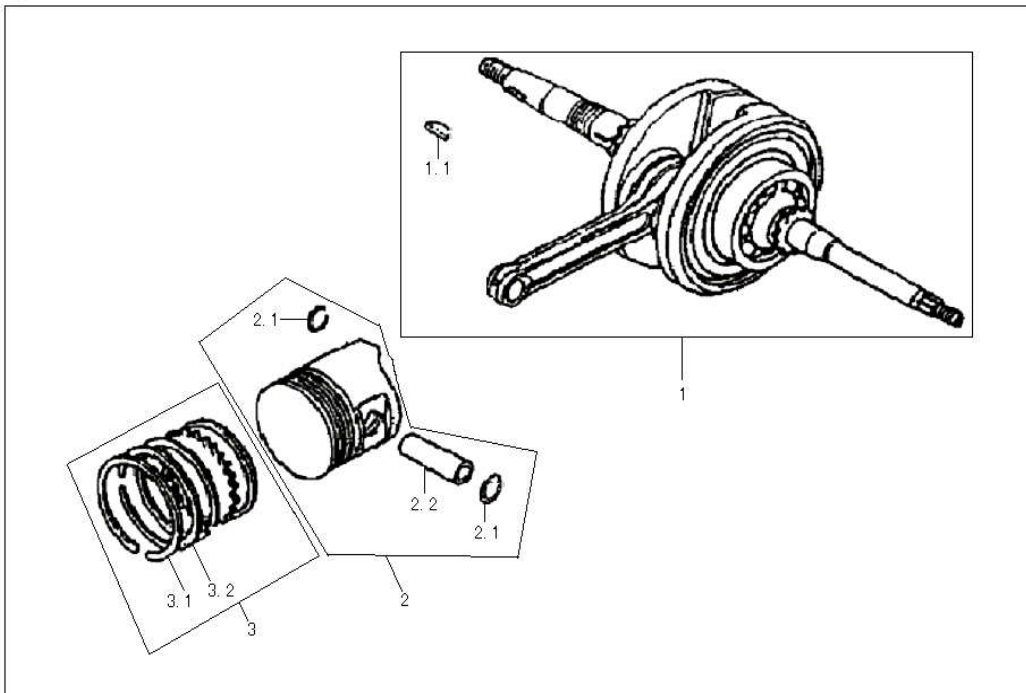
气缸



PAGE NO.	Component and Part NO.	English Name	Quantity
F6/1	102010-152QMI-0000	Cylinder head assy.	1
F6/2	101204-152QMI-0000	Dowel Pin	2
F6/3	102003-152QMI-0000	Cylinder washer	1

F7 Crankshaft assy. & Piston

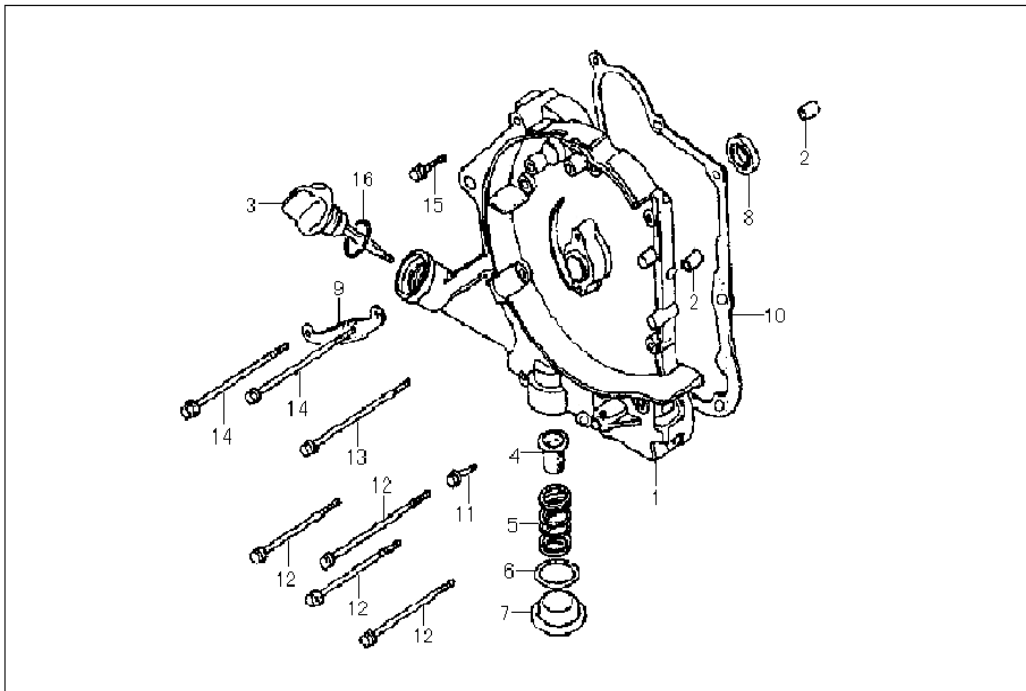
曲轴
·
活塞



PAGE NO.	Component and Part NO.	English Name	Quantity
F7/1	107100-152QMI-0000	Crankcase rob assy.	1
F7/1.1	107001-152QMI-0000	Woodruff key	1
F7/2	107201-152QMI-0000	Piston	1
F7/2.1	GB/T895.1-15	Clip,piston pin	2
F7/2.2	107202-152QMI-0000	Piston pin	1
F7/3	107210-152QMI-0000	Piston ring assy.	1
F7/3.1	107203-152QMI-0000	First piston ring	1
F7/3.2	107204-152QMI-0000	Second piston ring	1

F8 Right crankcase cover

右曲轴箱盖

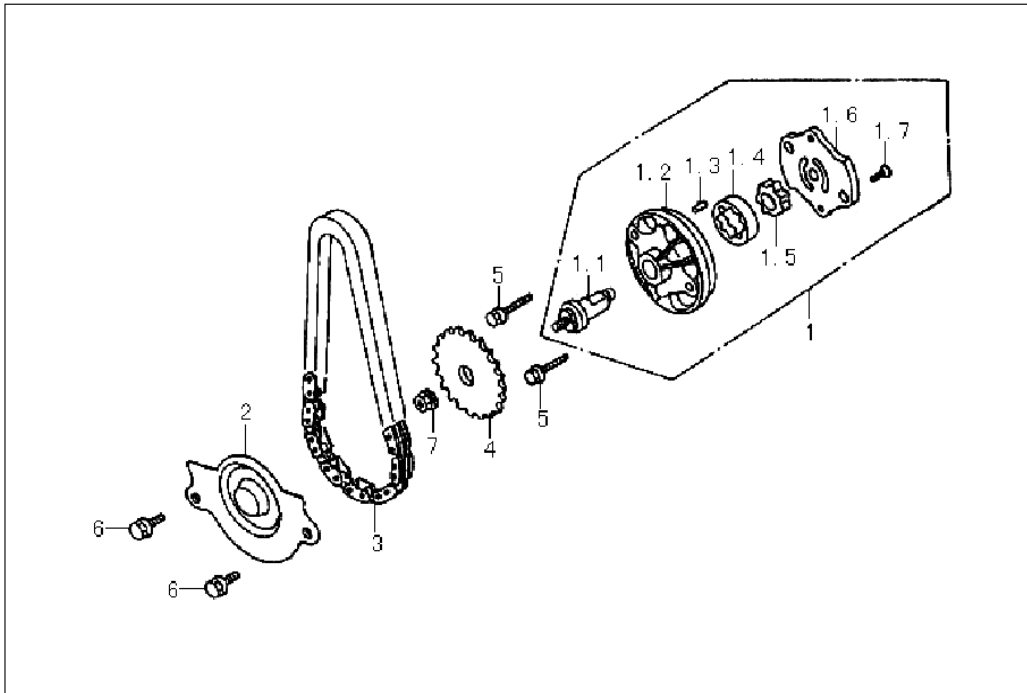


PAGE NO.	Component and Part NO.	English Name	Quantity
F8/1	106110-152QMI-0000	R.Crankcase cover assy.	1
F8/2	103002-152QMI-0000	Dowel Pin	2
F8/3	106101-152QMI-0000	Engine oil gauge	1
F8/4	106210-152QMI-0000	Oil filter assy.	1
F8/5	106202-152QMI-0000	Oil filter spring	1
F8/6	GB/T3452.1-30.8×3	O ring , engine oil filter cap 30.8×3	1
F8/7	106201-152QMI-0000	Oil filter cap	1
F8/8	GB/T13871-20×30×5	R. oil seal , crankcase20×30×5	1
F8/9	106103-152QMI-0000	Clip A.C.G.	1
F8/10	106001-152QMI-0000	R. crankcase cover washer	1
F8/11	GB/T5787-M6×32	Bolt M6×32	1
F8/12	GB/T5787-M6×95	Bolt M6×95	4
F8/13	GB/T5787-M6×100	Bolt M6×100	1
F8/14	GB/T5787-M6×110	Bolt M6×110	2
F8/15	GB/T5787-M6×35	Bolt M6×35	1
F8/16	GB/T3452.1-18×3	O ring , Engine oil gauge 18×3	1

F9

Oil pump

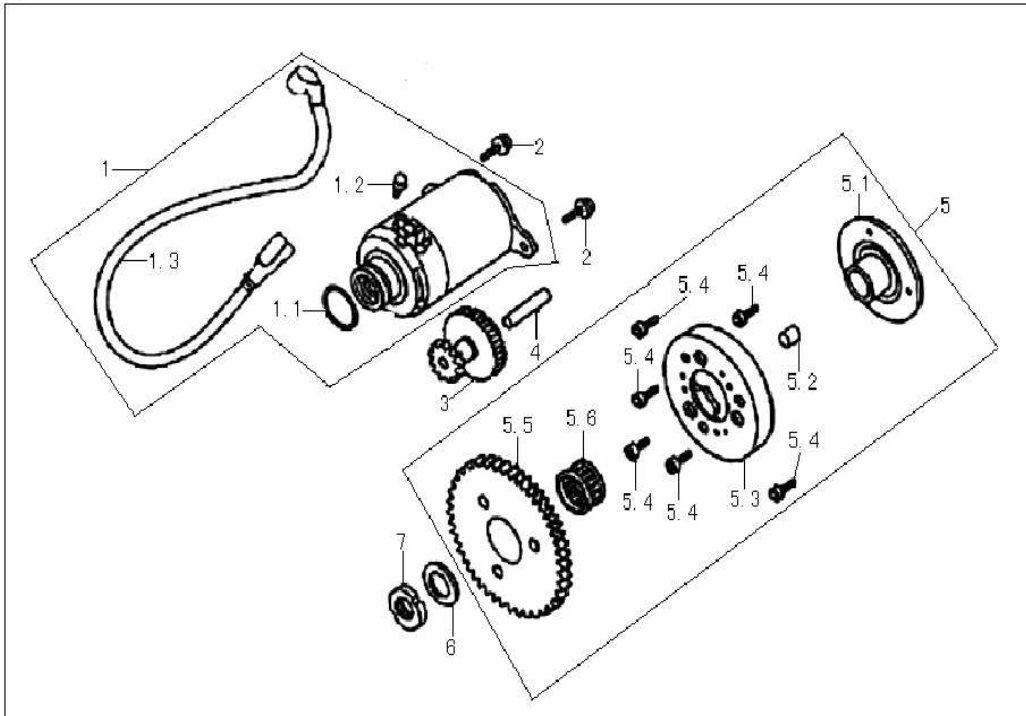
机
油
泵



PAGE NO.	Component and Part NO.	English Name	Quantity
F9/1	108120-152QMI-0000	Engine oil pump assy.	1
F9/1.1	108125-152QMI-0000	Oil pump shaft	1
F9/1.2	08121-152QMI-0000	Oil pump body	1
F9/1.3	GB119.1-2000-4x6	Dowel pin 4x6	1
F9/1.4	108123-152QMI-0000	Outer rotor,oil pump	1
F9/1.5	108124-152QMI-0000	Inner rotor,oil pump	1
F9/1.6	108122-152QMI-0000	Plate	1
F9/1.7	GB818-M3x6.5	Screw M3x6.5	1
F9/2	108002-152QMI-0000	Engline oil divide plate	1
F9/3	108003-152QMI-0000	Engine oil pump drive chain	1
F9/4	108110-152QMI-0000	Engine oil pump driven sprocket	1
F9/5	GB819-M6x30	Bolt M6x30	2
F9/6	GB5787-M6x12	Bolt M6x12	2
F9/7	GB6177-M6	Nut M6	1

F10 Starting motor

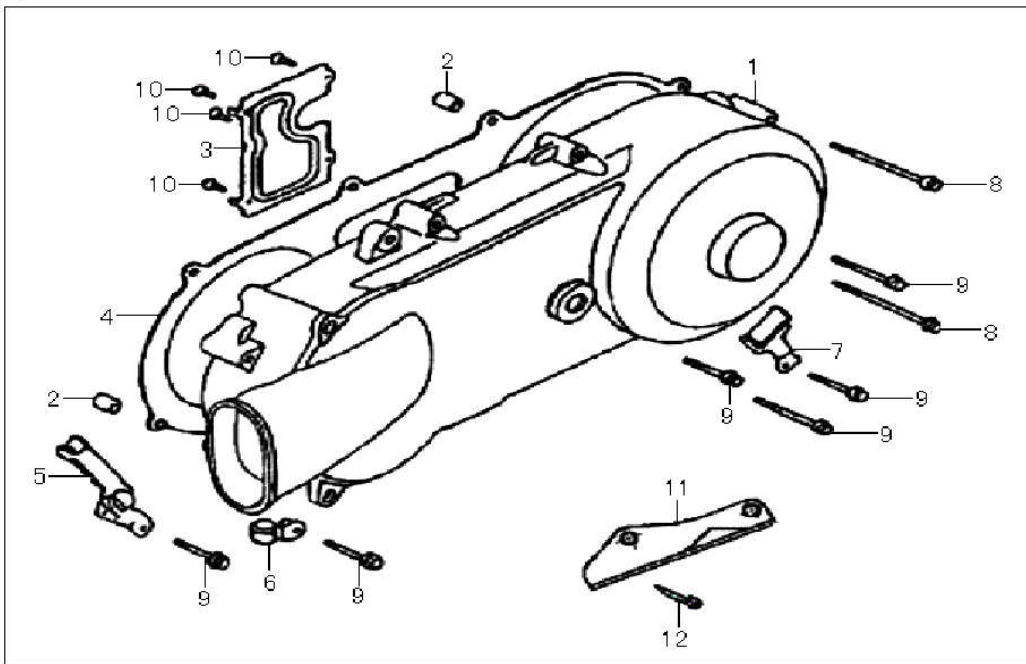
启动电机



PAGE NO.	Component and Part NO.	English Name	Quantity
F10/1	109111-152QMI-0000	Start motor assy.	1
F10/1.1	GB/T3452.1-24.4×3.1	O-ring 24.4×3.1	1
F10/1.2	GB 5783-5×8	Bolt M5×8	1
F10/1.3	109112-152QMI-0000	Starting motor cable	1
F10/2	GB5787-M6×16	Bolt M6×16	2
F10/3	109001-152QMI-0000	Electric starter slowdown gear	1
F10/4	109121-152QMI-0000	Electric starter gear shaft	1
F10/5	109200-152QMI-0100	Overdreiv clutch assy.	1
F10/5.1	109226-152QMI-0000	Flange,starting clutch	1
F10/5.2	109227-152QMI-0000	Roller	1
F10/5.3	109222-152QMI-0000	Outer comp.,starting clutch	1
F10/5.4	GB/T70-M4×12	Bolt M4×12	6
F10/5.5	109211-152QMI-0000	Gear comp.,starting clutch	1
F10/5.6	109214-152QMI-0000	Needle bearing	1
F10/6	GB/T1230-22.6×31×2.5	Washer 22.6×31×2.5	1
F10/7	109004-152QMI-0000	Nut M22	1

F11 Left crankcase cover

左曲轴箱盖

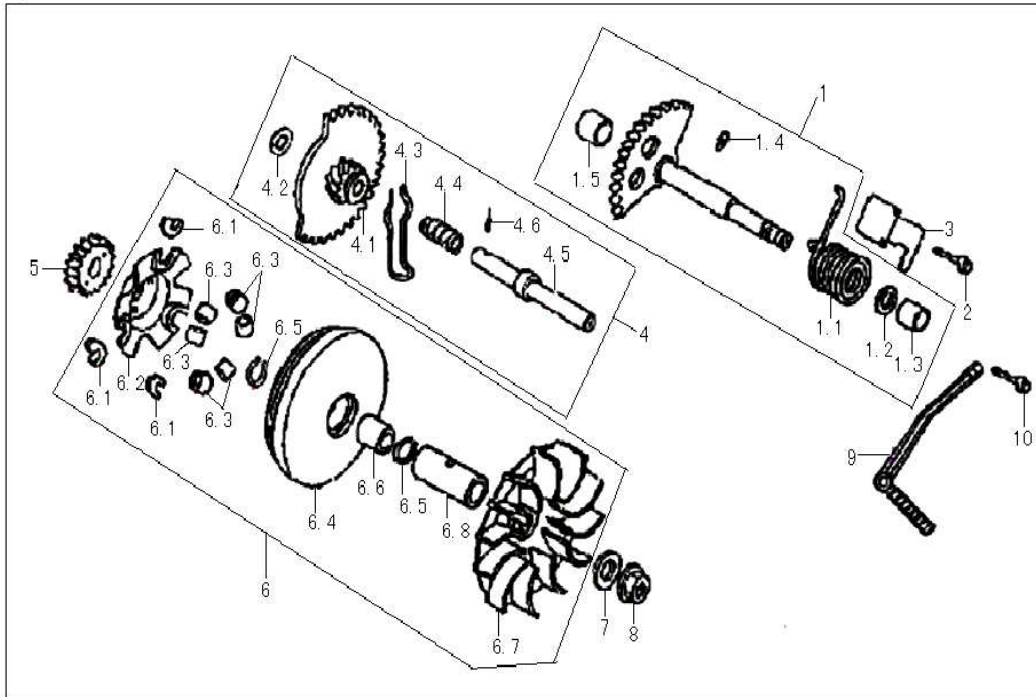


PAGE NO.	Component and Part NO.	English Name	Quantity
F11/1	103101-152QMI-0100	L.Crankcase cover(lengthen)	1
F11/2	103002-152QMI-0000	Dowel pin	2
F11/3	103106-152QMI-0000	Air space plate	1
F11/4	103001-152QMI-0100	L. crankcase cover washer	1
F11/5	103004-152QMI-0000	Clip assy.	1
F11/6	119002-152QMI-0000	Overflow oil tube clip	1
F11/7	103003-152QMI-0000	Rear brake link clip	1
F11/8	GB5787-M6×65	Bolt M6×65	2
F11/9	GB5787-M6×40	Bolt M6×40	8
F11/10	GB818-M4×8	Screw M4×8	4
F11/11	103006-152QMI-0000	Guard plate	1
F11/12	GB5787-M6×14	Bolt M6×14	1

F12

Drive pulley

驱动皮带轮

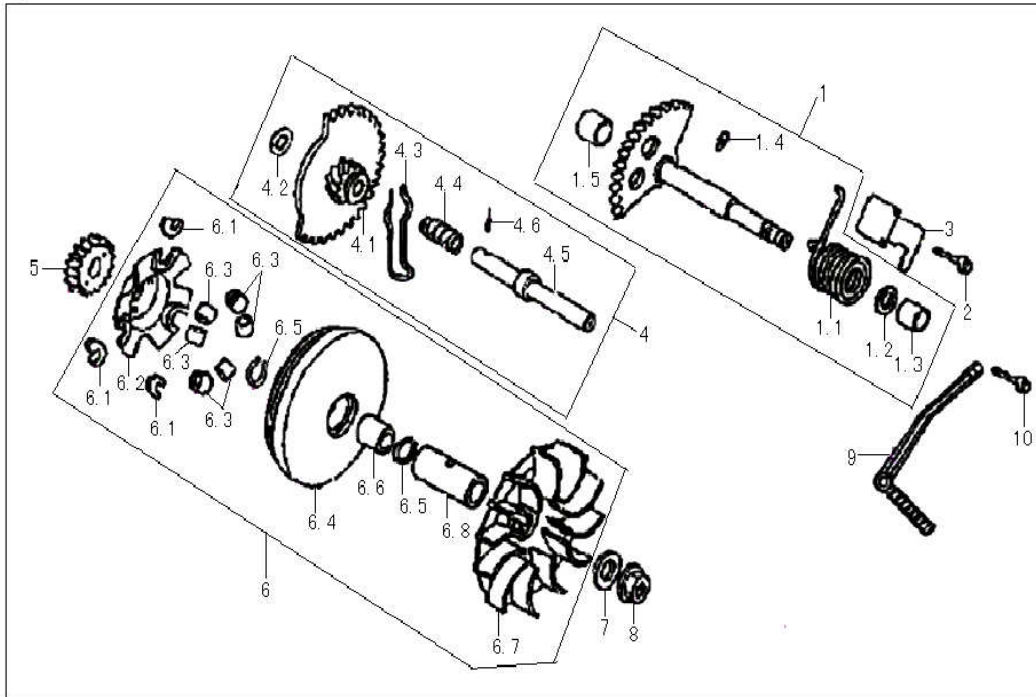


PAGE NO.	Component and Part NO.	English Name	Quantity
F12/1	110210-152QMI-0000	Kick starter assy.	1
F12/1.1	110214-152QMI-0000	Spring,kick starter	1
F12/1.2	110216-152QMI-0000	Washer 14	1
F12/1.3	110213-152QMI-0000	Bush,kick spindle	1
F12/2	GB5787-M6×14	Bolt M6×14	1
F12/3	110203-152QMI-0000	Kick starter return stop plate	1
F12/1.4	11021D-152QMI-0000	Pin 4.5	1
F12/1.5	110215-152QMI-0000	Bush	1
F12/4	110230-152QMI-0000	Kick starter idle gear assy.	1
F12/4.1	110235-152QMI-0000	Kick starter idle gear assy.	1
F12/4.2	GB/T97.1-Φ12.5	Washer Φ12.5	1
F12/4.3	110231-152QMI-0000	Spring	1
F12/4.4	110232-152QMI-0000	Spring,driver shaft	1
F12/4.5	110233-152QMI-0000	Driver shaft,start idler	1
F12/4.6	110234-152QMI-0000	Roller 3*8.5	1

F12

Drive pulley

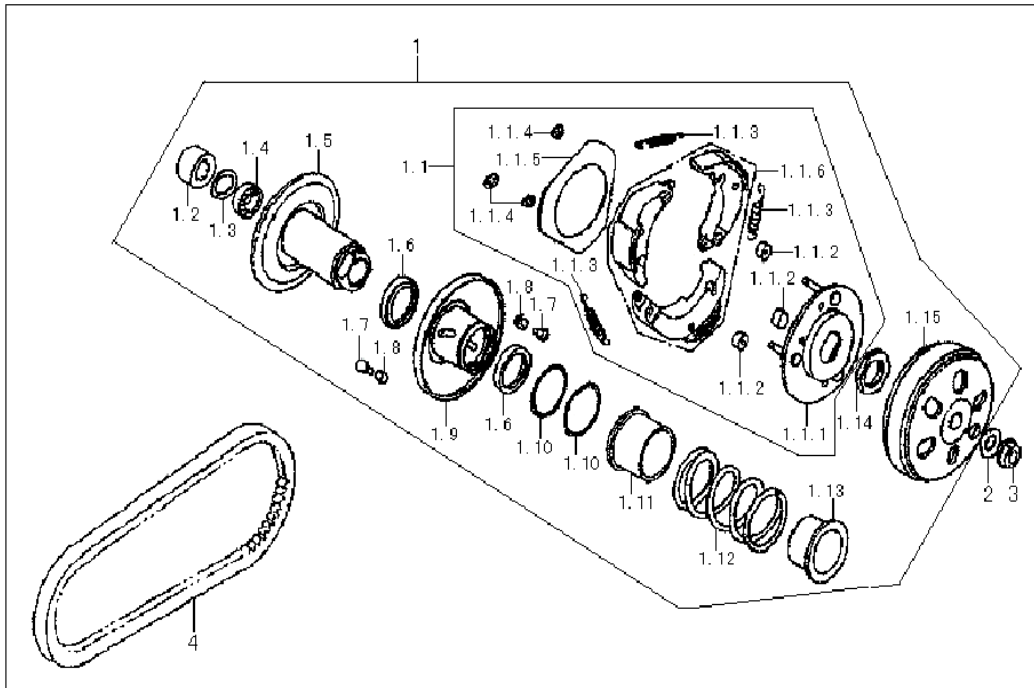
驱动皮带轮



PAGE NO.	Component and Part NO.	English Name	Quantity
F12/5	110204-152QMI-0000	Starter driven wheel	1
F12/6	114100-152QMI-0000	Driver pulley assy.	1
F12/6.1	114103-152QMI-0000	block	3
F12/6.2	114101-152QMI-0000	Plate	1
F12/6.3	114120-152QMI-0000	Roller set	6
F12/6.4	114110-152QMI-0000	Right comp.,driver	1
F12/6.5	114113-152QMI-0000	Clip	2
F12/6.6	114112-152QMI-0000	Collar	1
F12/6.7	114104-152QMI-0000	Left,driver	1
F12/6.8	114102-152QMI-0000	Collar bush	1
F12/7	GB/T1230-12.4x25x2	Washer 12.4x25x2	1
F12/8	GB/T6177.1-M12x1.25	Nut M12x1.25	1
F12/9	110310-152QMI-0000	Kick starter pole assy.	1
F12/10	GB5783-M6x22	Bolt M6x22	1

F13 Driven pulley assy.

从动皮带轮组

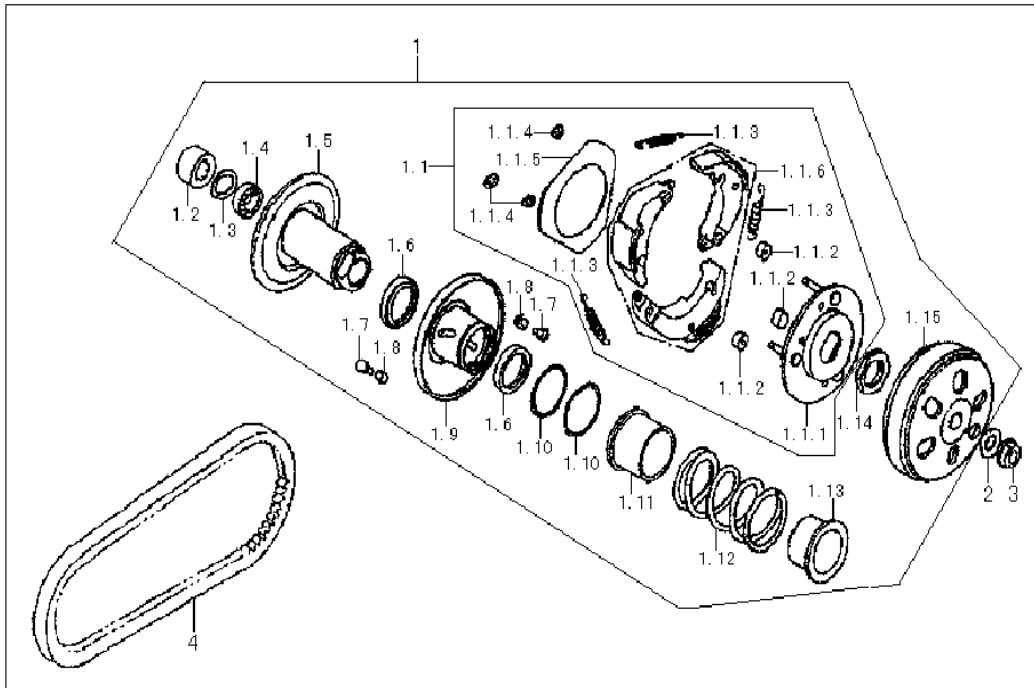


PAGE NO.	Component and Part NO.	English Name	Quantity
F13/1	114200-152QMI-0000	Driven pulley assy.	1
F13/1.1	114230-152QMI-0000	Plate assy.,driver	1
F13/1.1.1	114241-152QMI-0000	Plate,driver	1
F13/1.1.2	114232-152QMI-0000	Rubber,clutch	1
F13/1.1.3	114233-152QMI-0000	Spring,clutch	1
F13/1.1.4	GB896-92-5	Circlip 5	2
F13/1.1.5	114111-152QMI-0000	Side plate,clutch	1
F13/1.1.6	114250-152QMI-0000	Weight set,clutch	1

F13

Driven pulley assy.

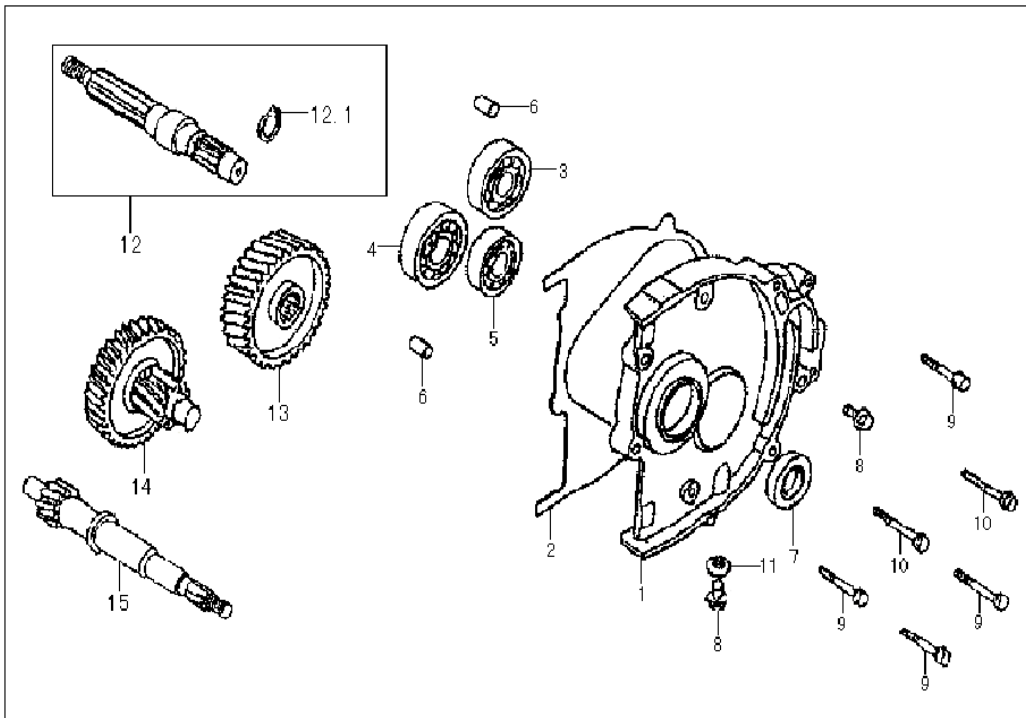
从动皮带轮组



PAGE NO.	Component and Part NO.	English Name	Quantity
F13/1.2	114204-152QMI-0000	Needle bearing 20*29*18	1
F13/1.3	114113-152QMI-0000	Circlip 5	1
F13/1.4	GB276-94	Bearing	1
F13/1.5	114211-152QMI-0000	Right comp.,driven	1
F13/1.6	114203-152QMI-0000	Seal 34*41*4	1
F13/1.7	114243-152QMI-0000	Guiding pin	1
F13/1.8	114242-152QMI-0000	Roller	1
F13/1.9	114202-152QMI-0000	Belt plate,driven	1
F13/1.10	GB/T3452.1	O-ring	1
F13/1.11	114212-152QMI-0000	Collar,seal	1
F13/1.12	114201-152QMI-0000	Spring,driver	1
F13/1.13	114112-152QMI-0000	Collar	1
F13/1.14	114205-152QMI-0000	Nut M28	1
F13/1.15	114300-152QMI-0000	Outer plat,clutch	2
F13/2	GB/T1230-12.4x25x2	Washer 12.4x25x2	1
F13/3	GB/T6177.1-M12	Nut M12	1
F13/4	114001-152QMI-0100	V-belt	1

F14 Transmission

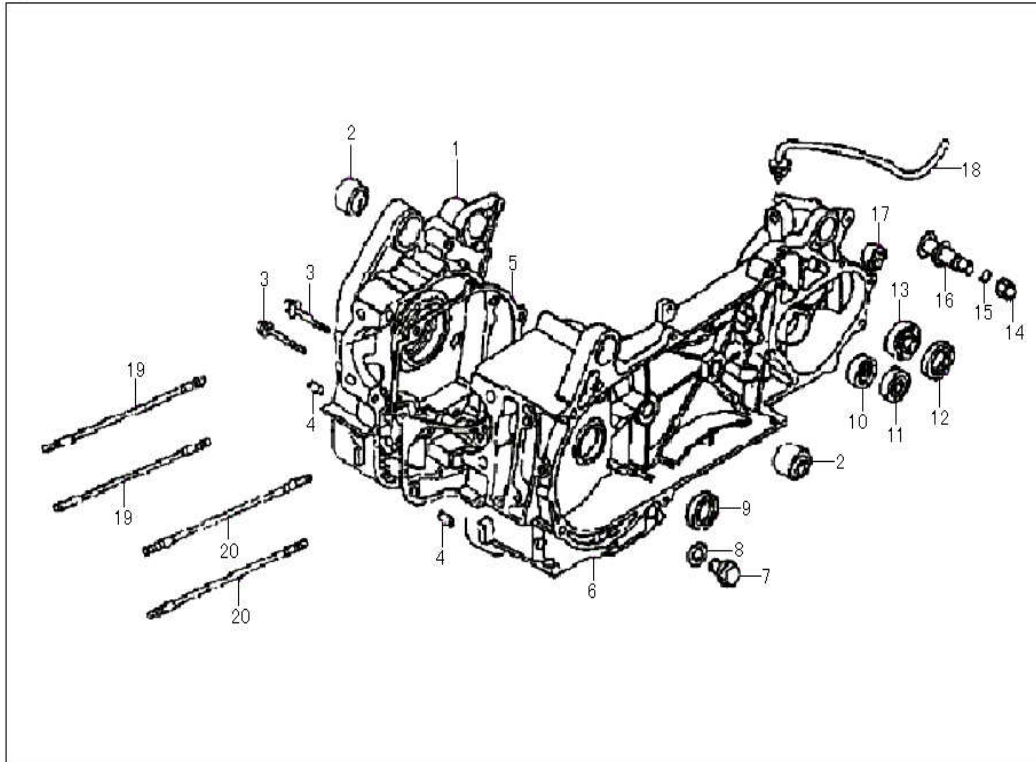
传动系



PAGE NO.	Component and Part NO.	English Name	Quantity
F14/1	115009-152QMI-0000	Rear wheel box cover.	1
F14/2	115005-152QMI-0000	Rear wheel box washer	1
F14/3	GB276-6203	Bearing 6203	1
F14/4	GB276-6204	Bearing 6204	1
F14/5	GB276-6202	Bearing 6202	1
F14/6	103002-152QMI-0000	Dowel pin	2
F14/7	GB13871-20×32×6	Oil seal , Input gear20×32×6	1
F14/8	GB/T5789-M8×12	Bolt M8×12	2
F14/9	GB5787-M6×28	Bolt M6×28	3
F14/10	GB5787-M6×35	Bolt M6×35	3
F14/11	GB/T97.1-8.4×16×1.5	Washer 8.4×16×1.5	2
F14/12	115002-152QMI-0200	Output shaft	1
F14/12.1	GB/T894.1-19×1.1	Circlip 19×1.1	1
F14/13	115003-152QMI-0000	Output spline shaft	1
F14/14	115010-152QMI-0000	Middle gear shaft assy.	1
F14/15	115001-152QMI-0000	Input shaft	1

F15 Crankcase

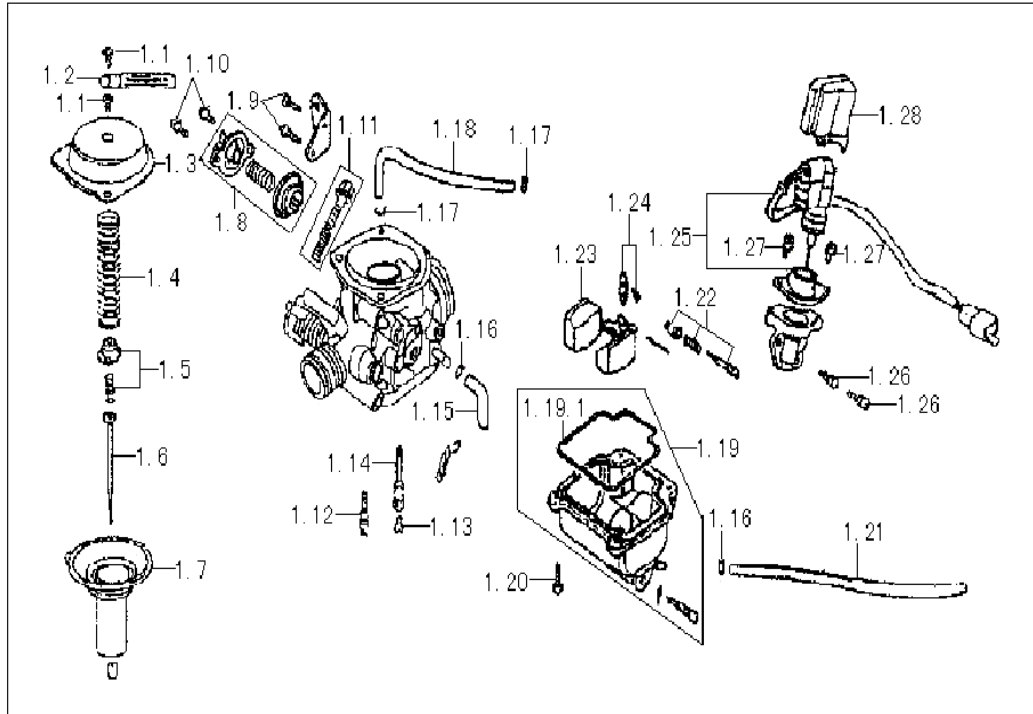
曲轴箱



PAGE NO.	Component and Part NO.	English Name	Quantity
F15/1	105110-152QMI-0000	R.Crankcase assy	1
F15/2	104120-152QMI-0000	Front crutch bush assy.	2
F15/3	GB5787-M6×50	Bolt M6×50	2
F15/4	103002-152QMI-0000	Dowel pin	2
F15/5	104002-152QMI-0000	Crankcase washer	1
F15/6	104110-152QMI-0200	L.Crankcase assy(lengthen)	1
F15/7	104004-152QMI-0000	Drain plug	1
F15/8	104005-152QMI-0000	Washer 12	1
F15/9	GB13871-19.8×30×5	L. oil seal , crankcase19.8×30×5	1
F15/10	GB13871-27×42×7	Oil seal , output shaft 27×42×7	1
F15/11	GB276-6002	Bearing 6002	1
F15/12	GB276-6301/P6	Bearing 6301	1
F15/13	GB276-6004-2RS	Bearing 6004	1
F15/14	GB/T699-M8	Nut M8	1
F15/15	GB/T3452.1-7.5×1.5	O ring , brake shoe fixing shaft 7.5×1.5	1
F15/16	115102-152QMI-0000	Brake shoe fixing shaft	1
F15/17	104130-152QMI-0000	Rear crutch bush assy.	1
F15/18	172005-152QMI-0000	Air tube assy.(short)	1
F15/19	105001-152QMI-0000	2-stud bolt M8×187	2
F15/20	104001-152QMI-0000	2-stud bolt M8×195	2

F16 Carburetor

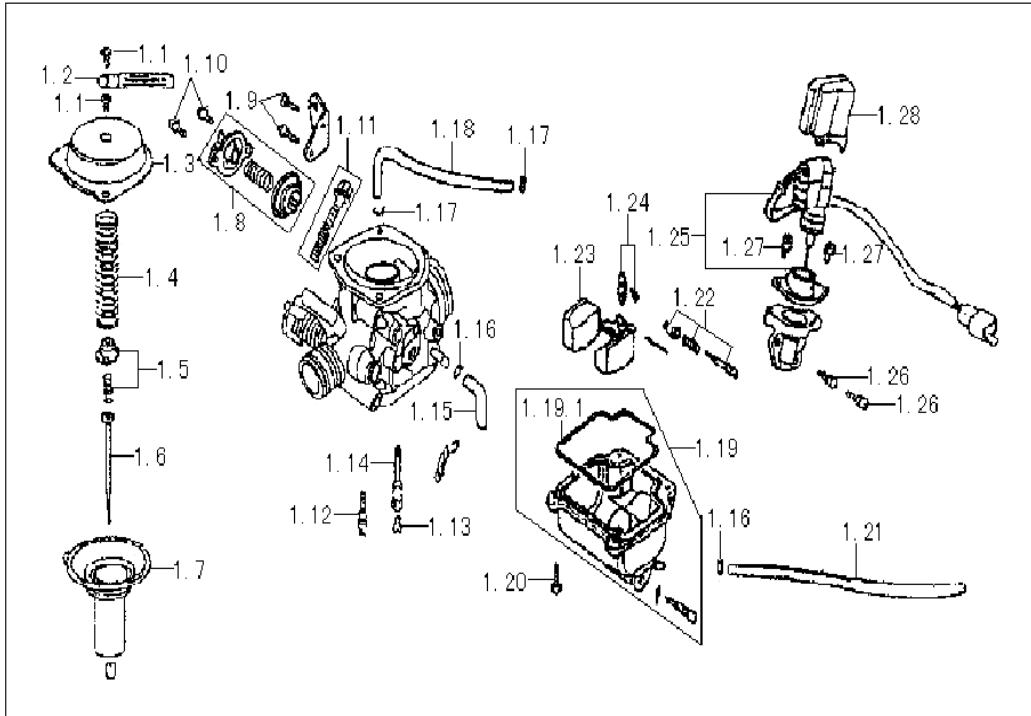
化油器



PAGE NO.	Component and Part NO.	English Name	Quantity
F16/1	160000-152QMI-0000	Carburetor assy.	1
F16/1.1	GB/T 818-M4×8	Screw M4×8	2
F16/1.2	160101-152QMI-0000	Plate clip	1
F16/1.3	160102-152QMI-0000	Cap,vacuum piston valve	1
F16/1.4	160103-152QMI-0000	Spring	1
F16/1.5	160104-152QMI-0000	Plate set	1
F16/1.6	160200-152QMI-0000	Oil needle	1
F16/1.7	160105-152QMI-0000	Vacuum piston valve	1
F16/1.8	160300-152QMI-0000	Air block valve	1
F16/1.9	GB/T 818-M5×12	Screw M5×12	2
F16/1.10	GB/T 818-M4×10	Screw M4×10	2
F16/1.11	160900-152QMI-0000	Screw set A	1
F16/1.12	160001-152QMI-0000	Injecting nozzle 35#	1
F16/1.13	160002-152QMI-0000	Main injecting nozzle 112#	1
F16/1.14	160003-152QMI-0000	Base,oil needle	1
F16/1.15	160004-152QMI-0000	Air tube	1
F16/1.16	160005-152QMI-0000	Tube clip	2
F16/1.17	160006-152QMI-0000	Tube	2
F16/1.18	160007-152QMI-0000	Rubber tube 3.5×210	1
F16/1.19	160500-152QMI-0000	Float chamber	1
F16/1.19.1	160400-152QMI-0000	Gasket	1

F16 Carburetor

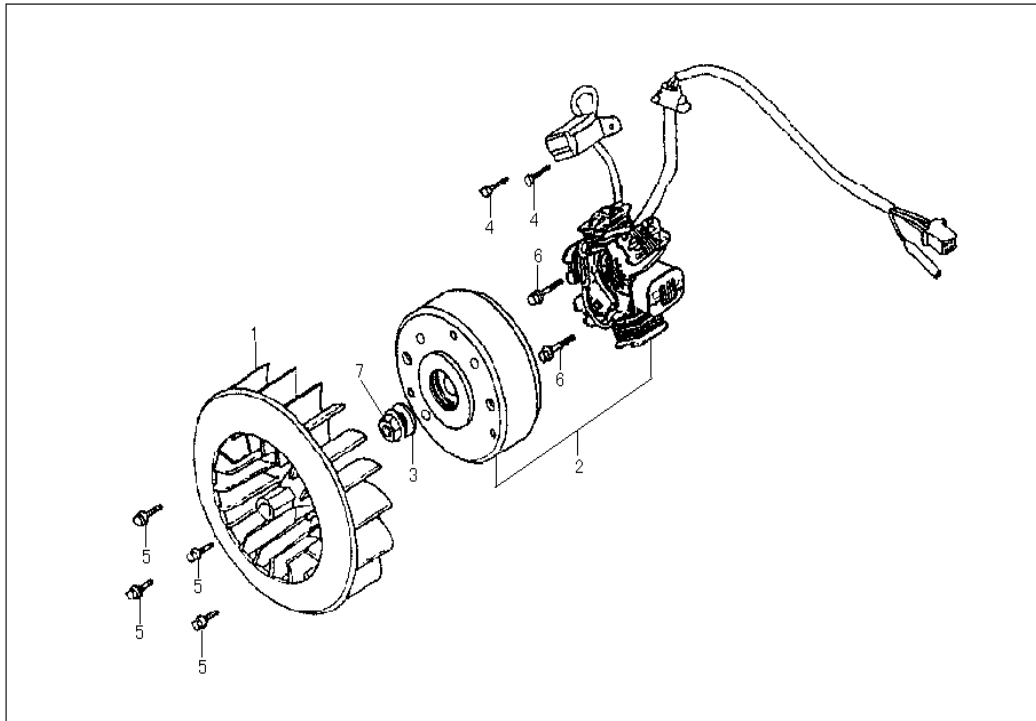
化油器



PAGE NO.	Component and Part NO.	English Name	Quantity
F16/1.20	GB/T 818-M4×14	Screw M4×14	1
F16/1.21	160008-152QMI-0000	Overflow tube	1
F16/1.22	160600-152QMI-0000	Screw set B	1
F16/1.23	160700-152QMI-0000	Float canister assy	1
F16/1.24	160009-152QMI-0000	Float canister valve	1
F16/1.25	160800-152QMI-0000	Starting valve set	1
F16/1.26	GB/T 818-M5×12	Screw M5*×12	2
F16/1.27	GB/T 818-1985-M4×8	Screw M4×8	2
F16/1.28	160801-152QMI-0000	Cap,starting valve	1

F17 Magneto

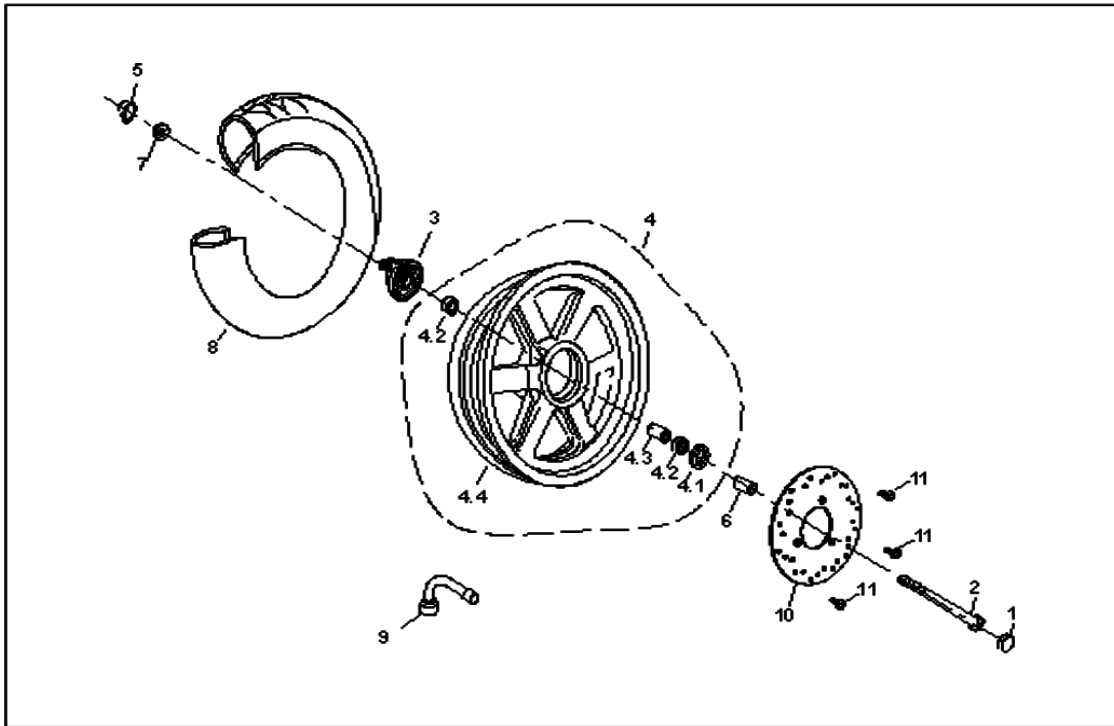
磁电机



PAGE NO.	Component and Part NO.	English Name	Quantity
F17/1	119050-152QMI-0000	Cooler fan assy.	1
F17/2	111000-152QMI-0000	Generator assy.	1
F17/3	GB/T1230-12.4x25x2	Washer12.4x25x2	1
F17/4	GB5783-M5x12	Bolt M5x12	2
F17/5	GB5787-M6x16	Bolt M6x16	4
F17/6	GB5787-M6x25	Bolt M6x25	2
F17/7	GB6177.1-M12	Nut M12	1

F18 Front wheel

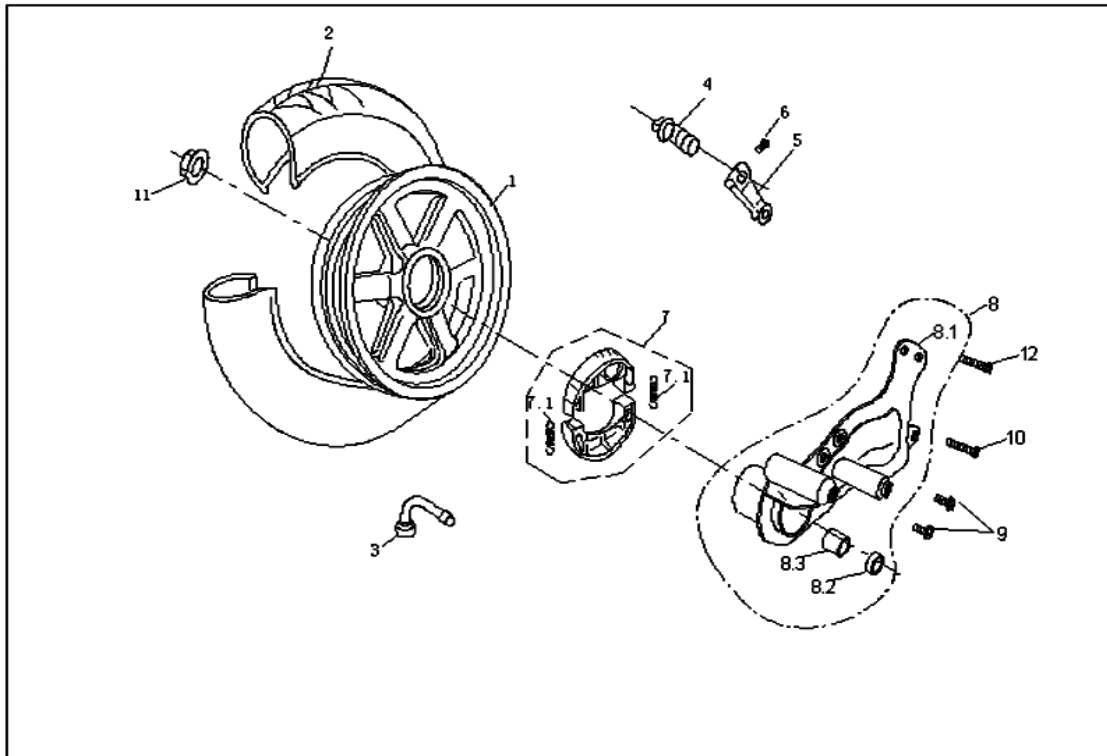
前
轮



PAGE NO.	Component and Part NO.	English Name	Quantity
F18/1	401005-TA9-0000	Left rubber cap	1
F18/2	401003-TAC-0000	Front wheel axle	1
F18/3	401200-TAC-0000	Speedometer gear assy	1
F18/4	401100-TJCC-0100	Front rim assy.	1
F18/4.1	YF50×40×5	Dust seal,front wheel	1
F18/4.2	GB/T278	Bearing 6201	2
F18/4.3	401101-TAC-0000	Central bush	1
F18/4.4	401100-TJCC-0100	Front rim MT3.5×J12	1
F18/5	401006-TA9-0000	Right rubber cap	1
F18/6	401001-TAC-0100	Bush	1
F18/7	GB/T6187-M12×1.25	Nut M12×1.25	1
F18/8	GB/T2983-W-120/70-12	Tyre 120/70-12	1
F18/9	401120-TAC-0000	Valve(120/70-12 tyre)	1
F18/10	404001-TAC-0000	Brake disc	1
F18/11	404002-TAC-0000	Bolt	3

F19 Rear wheel

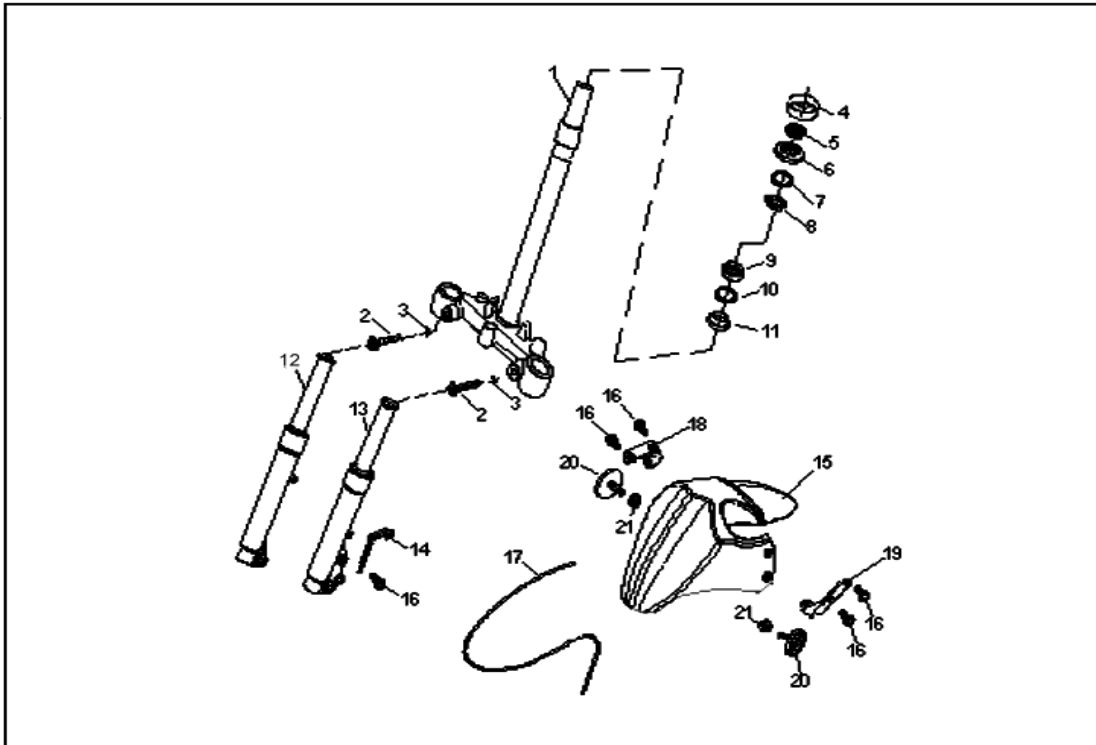
后轮



PAGE NO.	Component and Part NO.	English Name	Quantity
F19/1	402110-TJCC-0301	Rear rim MT3.5*J12	1
F19/2	GB/T2983-W-130/70-12	Tyre 130/70-12	1
F19/3	402120-TAC-0000	Valve(130/70-12 tyre)	1
F19/4	115007-152QMI-0000	Rear brake cam	1
F19/5	115020-152QMI-0000	Rear brake arm assy.	1
F19/6	GB/T5789-M6×35	Bolt M6×35	1
F19/7	405100-TJC-0000	Brake shoe assy.	1
F19/7.1	405101-TJC-0000	Rear brake shoe spring	2
F19/8	402200-TJC-0000	Rear ring board assy	1
F19/8.1	402201-TJC-0000	Rear ring board	1
F19/8.2	402201-TJC-0000	Bush	1
F19/8.3	402203-TJC-0000	Bush	1
F19/9	GB/T5787-M8×1.25×20	Hexagon Flange bolts M8×1.25×20	2
F19/10	GB/T5789-M8×55	Hexagon Flange bolts M8×55	1
F19/11	GB/T6187-M16×1.5	Nut M16×1.5	1
F19/12	GB/T5789-M8×40	Hexagon Flange bolts M8×40	1

F20 Front Fork

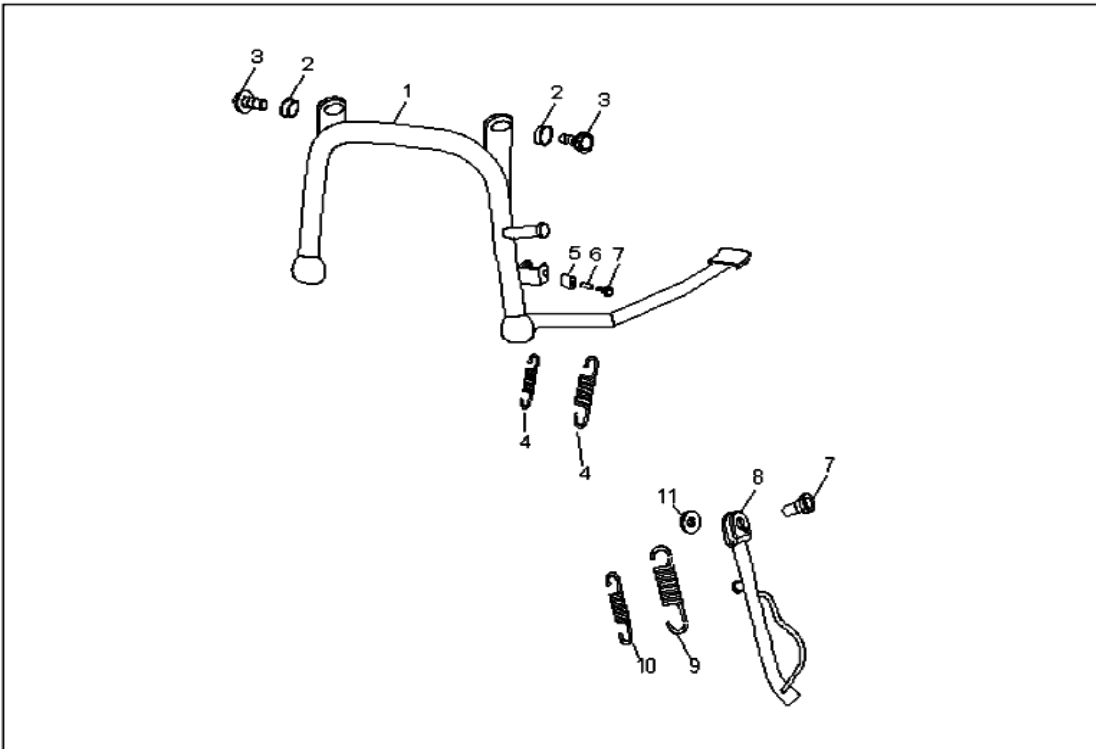
前
叉



PAGE NO.	Component and Part NO.	English Name	Quantity
F20/1	504110-TACD-0000	Steering column welding assy.	1
F20/2	GB/T 5789-M10x50	Bolt M10x50	2
F20/3	GB/T 7244-1987	Spring washer	2
F20/4	50450A-TAC-0000	Dust seal	1
F20/5	504501-TAC-0000	Lock nut	1
F20/6	504502-TAC-0000	Upper bearing top	1
F20/7	504510-TAC-0000	Upper ball assy.	1
F20/8	504503-TAC-0000	Upper bearing cup	1
F20/9	504504-TAC-0000	Botton bearing cup	1
F20/10	504510-TAC-0000	Bottom ball assy.	1
F20/11	504505-TAC-0000	Bottom bearing top	1
F20/12	504400-TACD-0000	Front shock absorber,right	1
F20/13	504300-TACD-0000	Fr.shock absorber L.	1
F20/14	504010-TAC-0000	Clip	1
F20/15	604105-TACD-0001	Fr. fender	1
F20/16	GB/T 5789-M6x16	Bolt M6x16	5
F20/17	604103-TACD-0000	Rubber strip,front fender	1
F20/18	501830-TACC-0000	R.bracket assy., front fender	1
F20/19	501820-TACC-0000	L.bracket assy., front fender	1
F20/20	325100-TA9-0000	Side reflector	2
F20/21	GB/T6177-M6	Nut M6	2

F21 Center Stand Assy./Side Stand Assy.

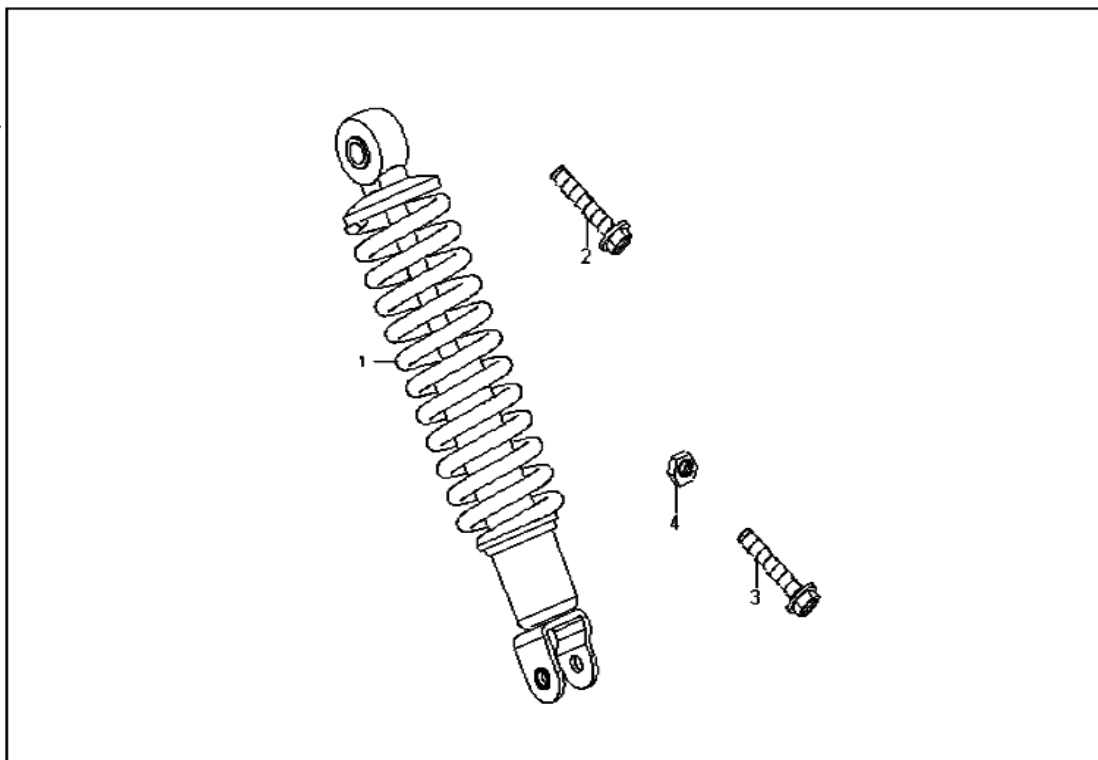
主
支
架
/
側
支
架



PAGE NO.	Component and Part NO.	English Name	Quantity
F21/1	501210-TJCD-0100	Center stand assy.	1
F21/2	501206-TAC-0000	Bush,center stand	2
F21/3	GB/T 5789-M10*1.25*25	Bolt M10*1.25*25	2
F21/4	501220-TJCB-0000	Spring , center stand	2
F21/5	501202-TJCD-0000	Rubber , center stand	1
F21/6	501206-TAC-0000	Bush	1
F21/7	GB/T 5789-M6*30	Bolt M6*30	1
F21/8	501301-TAC-0000	Bolt	1
F21/9	501310-TACD-0000	Side stand assy.	1
F21/10	501321-TAC-0000	Spring A , side stand	1
F21/11	501322-TAC-0000	Spring B , side stand	1
F21/12	GB/T 6171-M8*1.25	Nut M8*1.25	1

F22 Rear Shock Absorber

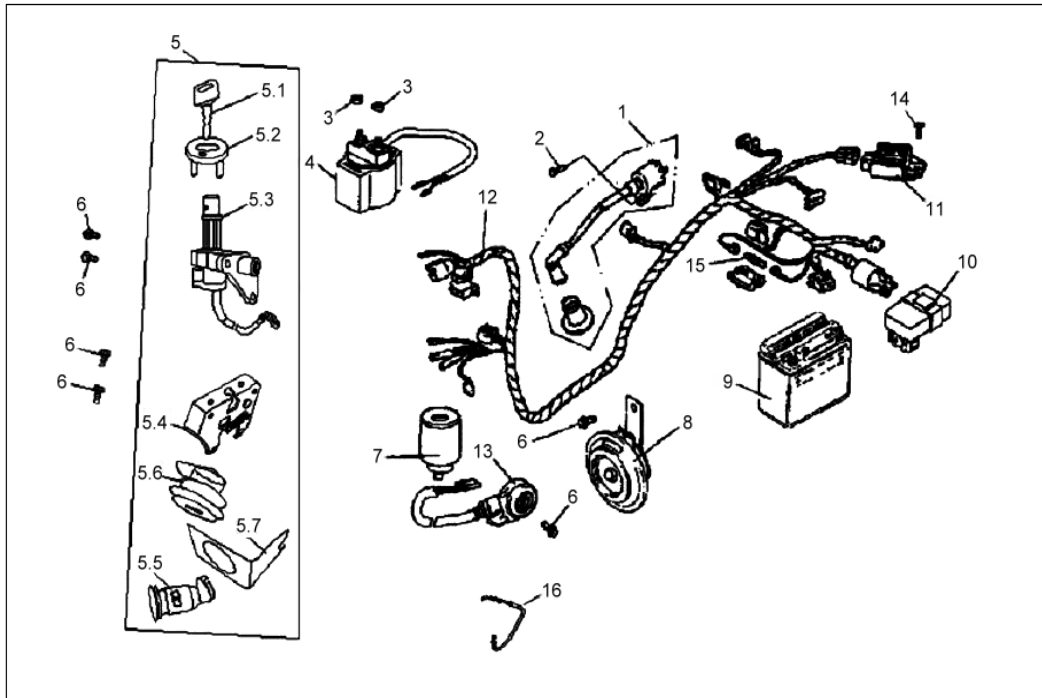
后
减
震
器



PAGE NO.	Component and Part NO.	English Name	Quantity
F22/1	521100-TACD-0000	Rr.shock absorber	1
F22/2	GB/T 5789-M10×1.25×40	Bolt M10×1.25×40	1
F22/3	GB/T 5789-M8×40	Bolt M8×40	1
F22/4	GB/T 6170-M8	Nut M8	1

F23 Wire harness

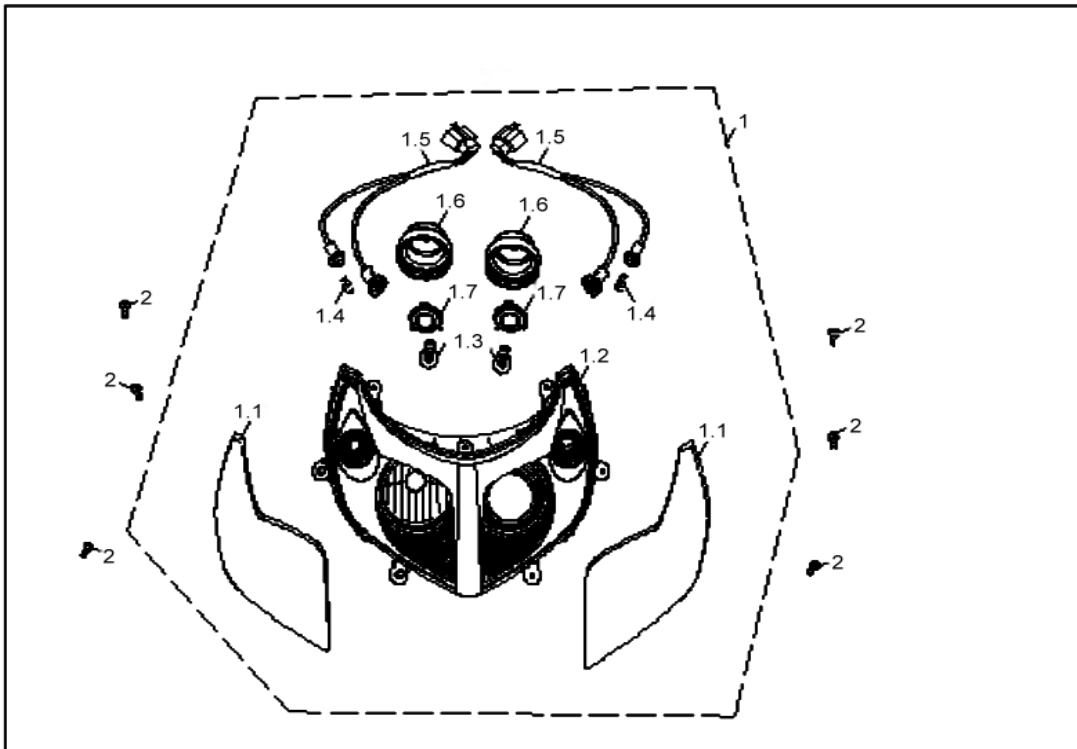
主
电
缆



PAGE NO.	Component and Part NO.	English Name	Quantity
F23/1	301200-152QMI-0000	Lgnition coil	1
F23/2	GB/T 818-M5×16	Screw M5×16	1
F23/3	GB/T 6177-M6	Nut M6	2
F23/4	301400-152QMI-0000	Starter relay	1
F23/5	350000-TAC-0000	Lock assy.	1
F23/5.1	350120-TAC-0000	Key	1
F23/5.2	350101-TAC-0000	Lgnition switch lock cover	1
F23/5.3	350110-TAC-0000	Lgnition switch lock	1
F23/5.4	350420-TACD-0000	Seat lock	1
F23/5.5	350410-TAC-0000	seat lock	1
F23/5.6	350900-TAC-0000	Center cover lock	1
F23/5.7	350910-TAC-0000	seat small lock Fix a slice	1
F23/6	GB/T 5789-M6×16	Bolt M6×16	6
F23/7	308500-TA9-0000	Flasher	1
F23/8	302000-TA9-0000	Horn	1
F23/9	305100-TA7-0100	Battery	1
F23/10	301100-152QMI-0000	Electric ignition assy.	1
F23/11	301300-152QMI-0000	Rectifier	1
F23/12	304000-TJCD-0000	Wiring assy.	1
F23/13	330600-TA9-0000	Off switch assy.	1
F23/14	GB/T 5789-M6×12	Bolt M6×12	1
F23/15	304110-TAC-0000	Fuse	1
F23/16	540900-TACC-0000	Cable , seat lock	1

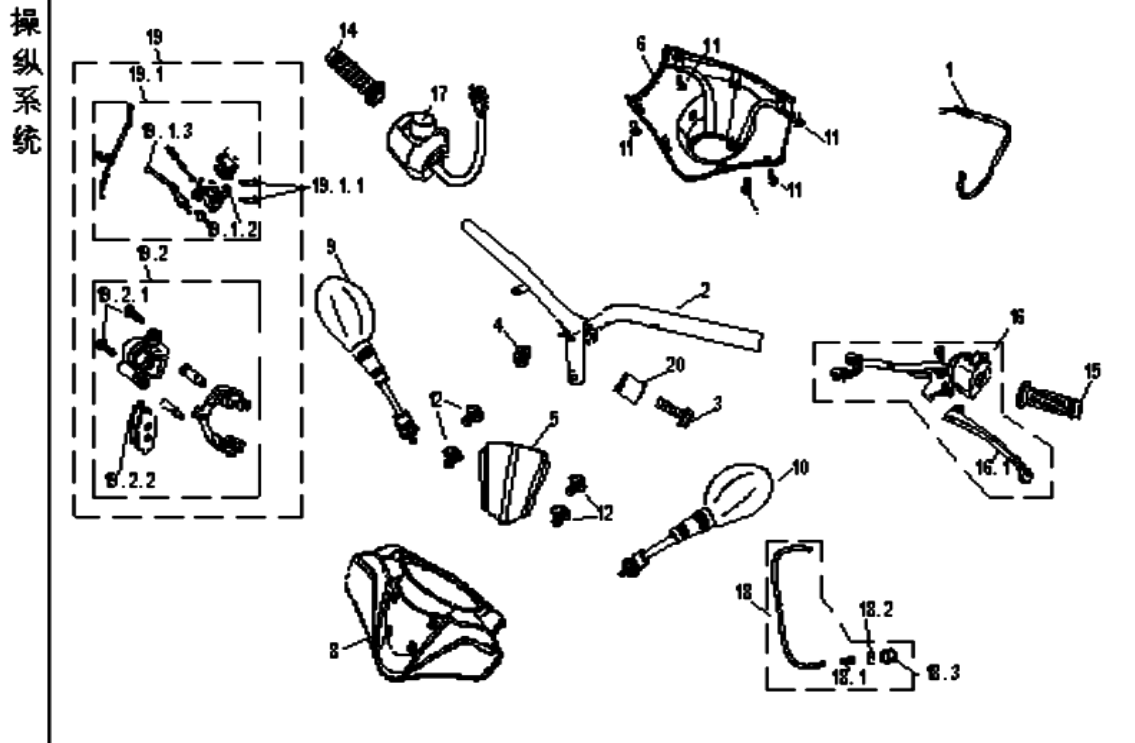
F24 Head Light Assy.

前
照
灯



PAGE NO.	Component and Part NO.	English Name	Quantity
F24/1	320100-TACD-0000	Head light assy.	1
F24/1.1	320131-TACD-0000	Head light lampshade	1
F24/1.2	320140-TACD-0000	Head light base	1
F24/1.3	320110-TACD-0000	Head light bulb	1
F24/1.4	320310-TACD-0000	Position light bulb	1
F24/1.5	320150-TACD-0000	Head light cable	1
F24/1.6	320160-TACD-0000	Seal completely a turn	1
F24/1.7	320120-TACD-0000	Card Base	1
F24/2	GB/T845-ST4.2×12	Screw tapping ST4.2×12	6

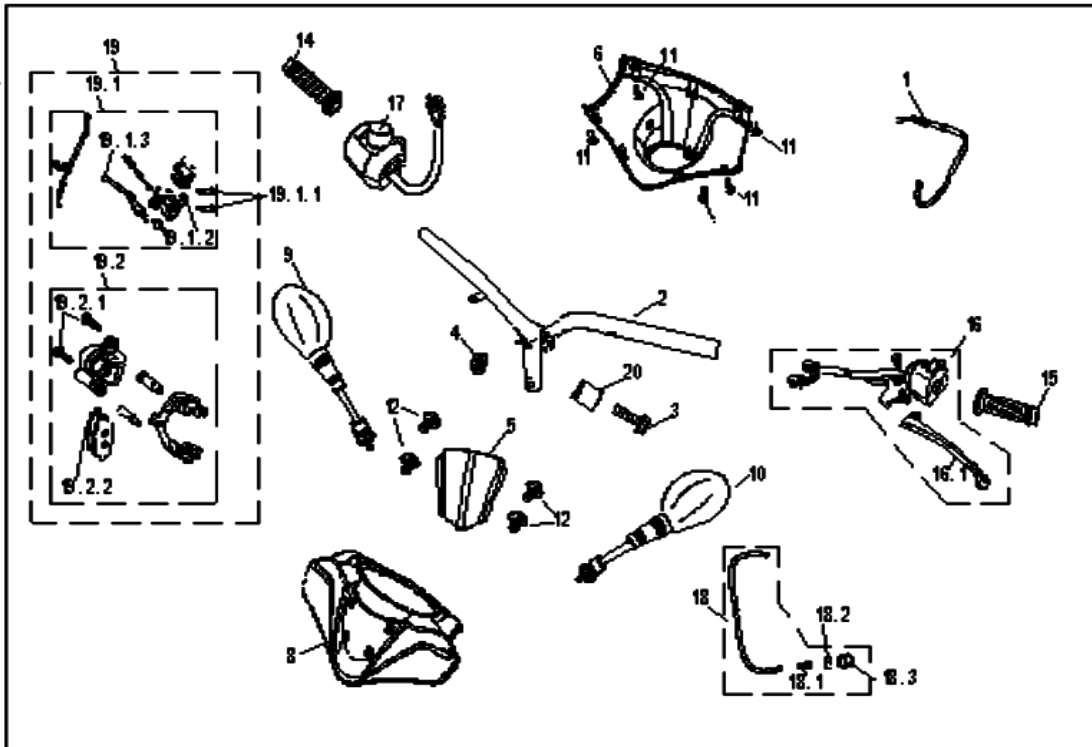
F25 Operating System



PAGE NO.	Component and Part NO.	English Name	Quantity
F25/1	540400-TJCC-0000	Throttle cable assy.	1
F25/2	505100-TACD-0000	Direction handlebar assy.	1
F25/3	GB/T 5789-M10×1.25×50	Bolt M10×1.25×50	1
F25/4	GB/T 6187-M10×1.25	Nut M10×1.25	1
F25/5	606102-TACD-0001	Decorate plank , head cover	1
F25/6	601102-TACD-0000	Nether part, head cover	1
F25/7	GB/818-M5×12	Bolt M5×12	1
F25/8	601101-TACD-0001	Upper part, head cover	1
F25/9	610200-TACF-0000	Rear-view mirror comp, right	1
F25/10	610100-TACF-0000	Rear-view mirror comp, left	1
F25/11	GB/T845-ST4.2×12	Screw tapping ST4.2×12	1
F25/12	GB/T845-ST3.9×10	Screw tapping ST3.9×10	6
F25/13	GB/T845-ST4.2×16	Screw tapping ST4.2×16	4
F25/14	530400-TAC-0000	Greaser assy.	2
F25/15	530301-TAC-0100	Left grip assy.	1
F25/16	330100-TAC-0000	Handle switch assy. L.	1
F25/16.1	530101-TAC-0000	Rear brake lever	1
F25/17	330200-TAC-0000	Handle switch assy. R.	1
F25/18	540200-TJCC-0000	Rear brake link assy.	1
F25/18.1	540201-TJCD-0000	Spring	1
F25/18.2	540202-TJCD-0000	Joint	1
F25/18.3	540203-TJCD-0000	Adjusting nut	1

F25 Operating System

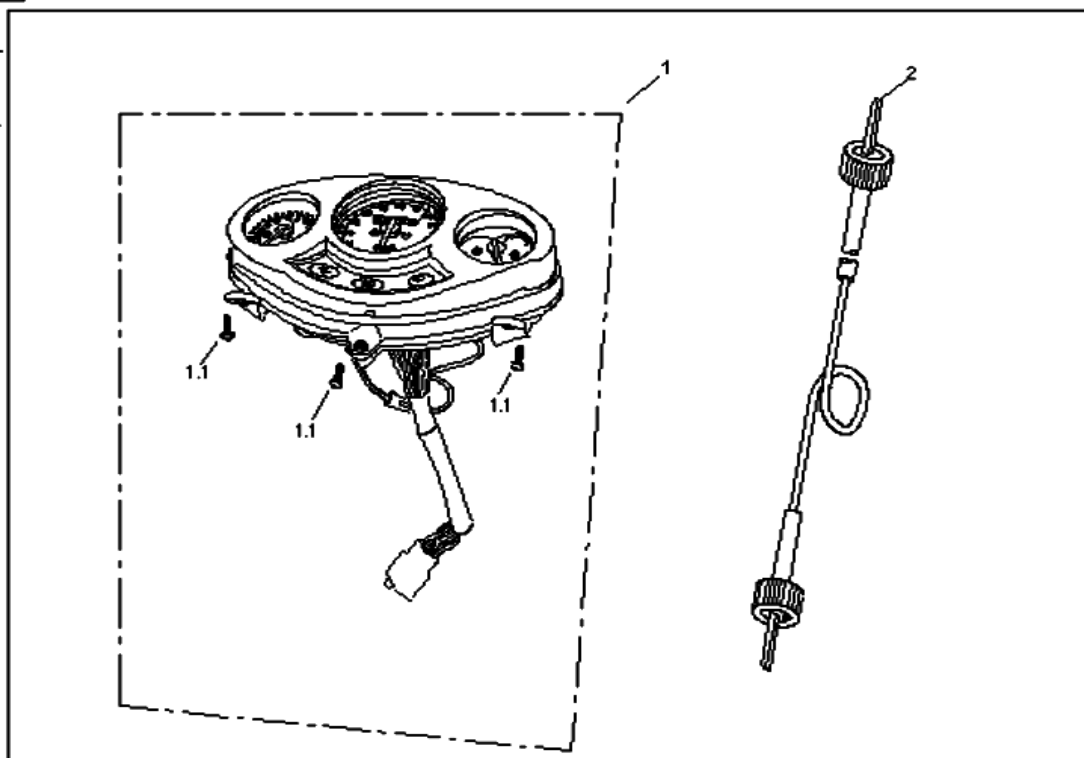
操纵系统



PAGE NO.	Component and Part NO.	English Name	Quantity
F25/19	404000-TACD-0000	Fr. hydraulic brake assy.	1
F25/19.1	404100-TJCD-0000	Master cylinder assy.	1
F25/19.1.1	GB/T5789-M6×22	Bolt M6×22	2
F25/19.1.2	404101-TJCD-0000	Master cylinder stator	1
F25/19.1.3	530201-TAC-0000	Front brake lever	1
F25/19.2	404200-TAC-0000	Caliper assy. (fr.)	1
F25/19.2.1	GB/T5789-M8×30	Bolt M8×30	2
F25/19.2.2	404210-TAC-0000	Brake shoe assy. (fr.)	1
F25/20	505001-TACD-0000	Stalk set	1

F26 Meter

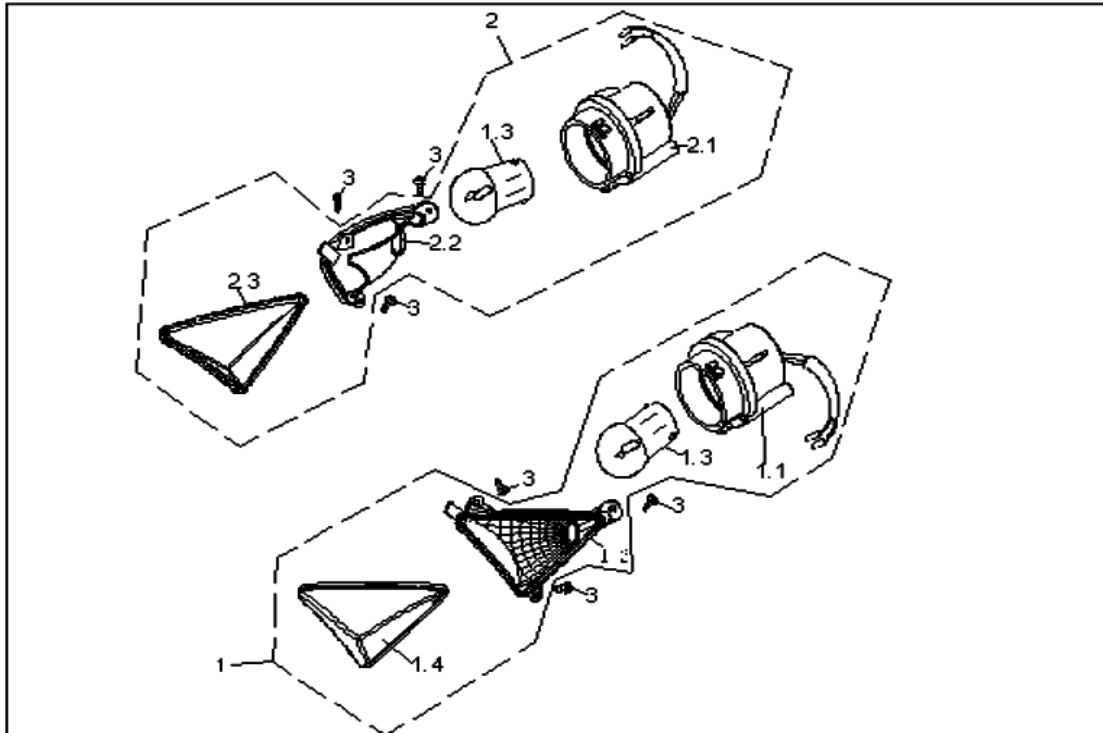
仪
表



PAGE NO.	Component and Part NO.	English Name	Quantity
F26/1	340200-TJCC-0000	Meter assy.	1
F26/1.1	GB/T845-ST4.2×12	Crew tapping ST4.2×12	3
F26/2	540C00-TAC-0000	Odometer tube	1

F27 Front Turning Light

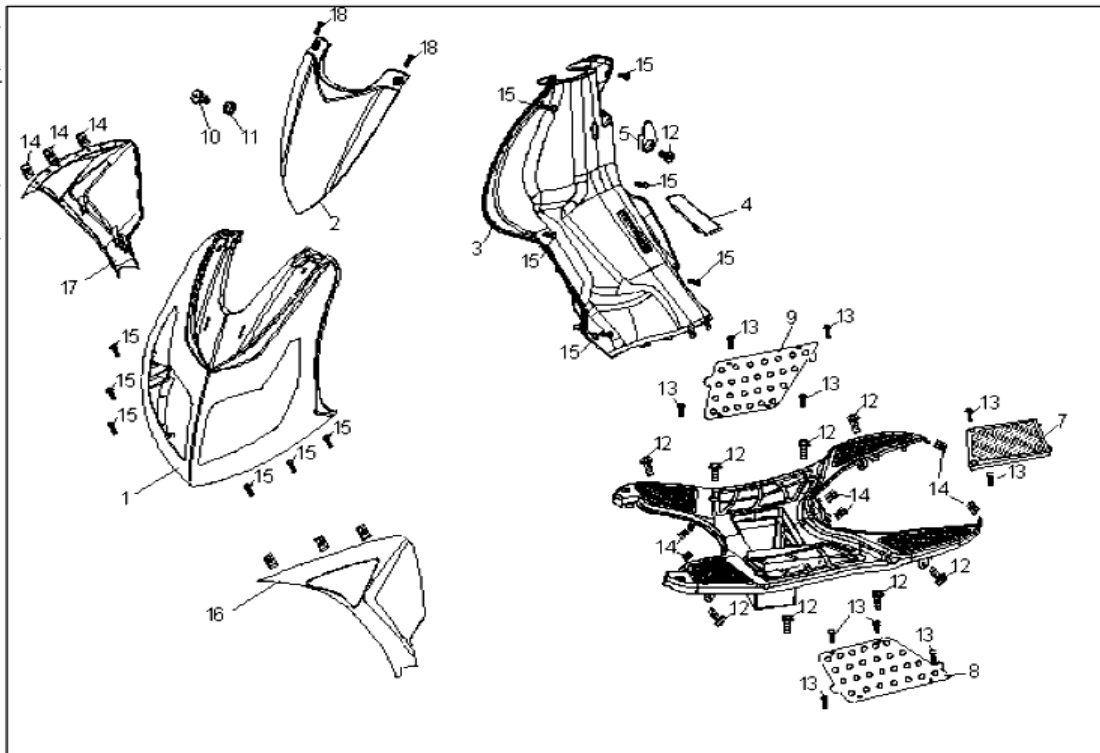
前
转
向
灯



PAGE NO.	Component and Part NO.	English Name	Quantity
F27/1	322100-TACD-0100	Fr. turnning light L.	1
F27/1.1	322140-TACD-0000	Front turning light base (L.)	2
F27/1.2	322120-TACD-0000	Front turning light socket(L.)	2
F27/1.3	322110-TACD-0000	Front turning light bulb	2
F27/1.4	322131-TACD-0000	Front turning light lampshade(L.)	2
F27/2	322200-TACD-0100	Fr. turnning light R.	1
F27/2.1	322240-TACD-0000	Front turning light base (R.)	2
F27/2.2	322220-TACD-0000	Front turning light socket(R.)	2
F27/2.3	322231-TACD-0000	Front turning light lampshade(R.)	2
F27/3	GB/T845-ST4.2x12	Screw tapping ST4.2x12	6

F28 Front Cover/Floor Pedal

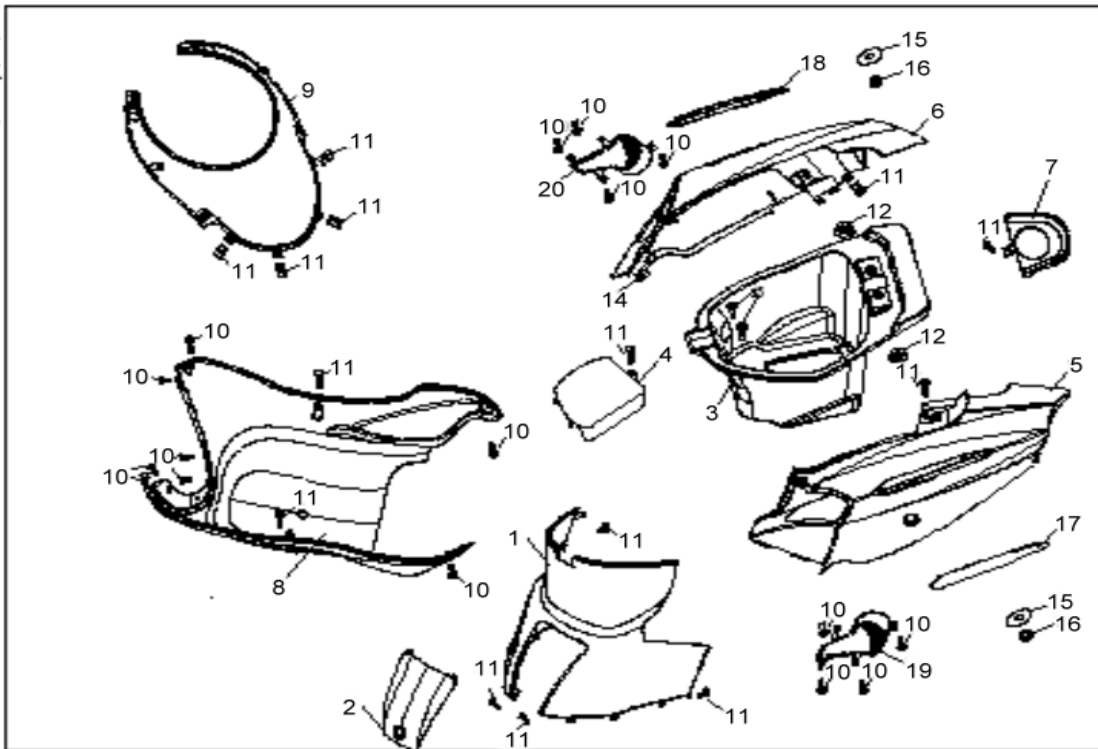
前罩
脚踏板



PAGE NO.	Component and Part NO.	English Name	Quantity
F28/1	601601-TACD-0001	Front cover	1
F28/2	601103-TACD-0001	Cover on the front panel	1
F28/3	601301-TACD-0000	Fr. luggage box	1
F28/4	601303-TACD-0000	Chassis number observing plate	1
F28/5	601504-TACD-0000	Helmet hook	1
F28/6	601401-TACD-0000	Pedal	1
F28/7	601403-TACD-0000	Battery box cap	1
F28/8	601408-TACD-0000	Pedal assy.(L)	1
F28/9	601409-TACD-0000	Pedal assy.(R)	1
F28/10	604104-TAC-0000	Bolt M6×16	1
F28/11	601108-TAC-0000	Rubber washer	1
F28/12	GB/T5789-M6×12	Bolt M6×12	8
F28/13	GB/T845-ST4.2×16	Screw tapping ST4.2×16	8
F28/14	821042-TAC-0000	Clip ST4.2	6
F28/15	GB/T845-ST4.2×16	Screw tapping ST4.2×16	12
F28/16	322160-TACD-0001	Fixing bracket, Fr. turning light L.	1
F28/17	322260-TACD-0001	Fixing bracket, Fr. turning light R.	1
F28/18	GB/T845-ST3.9×10	Screw tapping ST3.9×10	2

F29 Body Cover

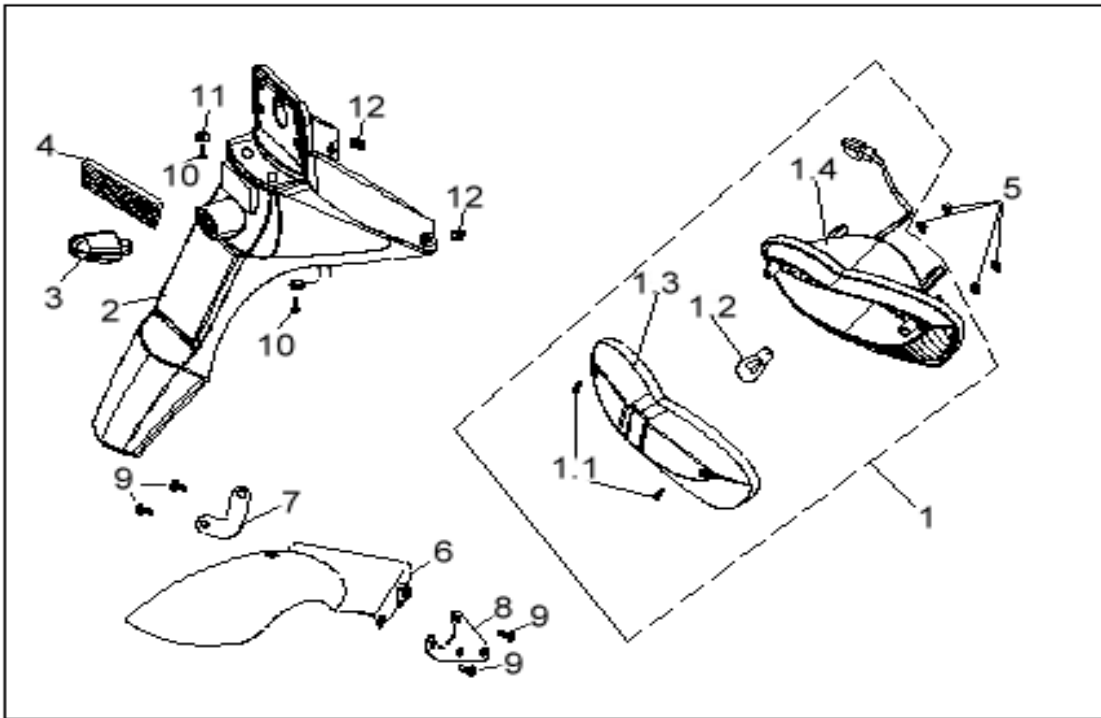
车体盖



PAGE NO.	Component and Part NO.	English Name	Quantity
F29/1	601503-TACD-0000	Center cover	1
F29/2	601506-TACD-0000	Small lid, center cover	1
F29/3	601501-TACD-0000	Rr. luggage box	1
F29/4	601502-TACD-0000	Inner lid, Rr. luggage box	1
F29/5	601201-TACD-0001	Rear fender apron(L.)	1
F29/6	601202-TACD-0001	Rear fender apron(R.)	1
F29/7	601203-TACD-0001	Rear center cover	1
F29/8	601405-TACD-0001	Bottom Cover	1
F29/9	601407-TACD-0000	Fender comp,Frame body	1
F29/10	GB/T845-ST4.2x12	Screw tapping ST4.2x12	14
F29/11	GB/T845-ST4.2x16	Screw tapping ST4.2x16	13
F29/12	GB/T6177-M6	Nut M6	2
F29/13	GB/T5789-M6x16	Bolt M6x16	2
F29/14	821042-TAC-0000	Clip ST4.2	10
F29/15	515221-TAC-0000	Washer	6
F29/16	601211-TAC-0000	Rubber washer	2
F29/17	508026-TACD-0001	Decorate plank , Rear fender apron(L.)	1
F29/18	508027-TACD-0001	Decorate plank , Rear fender apron(R.)	1
F29/19	601205-TACD-0001	Well ventilated cover , Rear fender apron(L.)	1
F29/20	601206-TACD-0001	Well ventilated cover , Rear fender apron(R.)	1

F30 Taillight Assy./Rear Fender Assy.

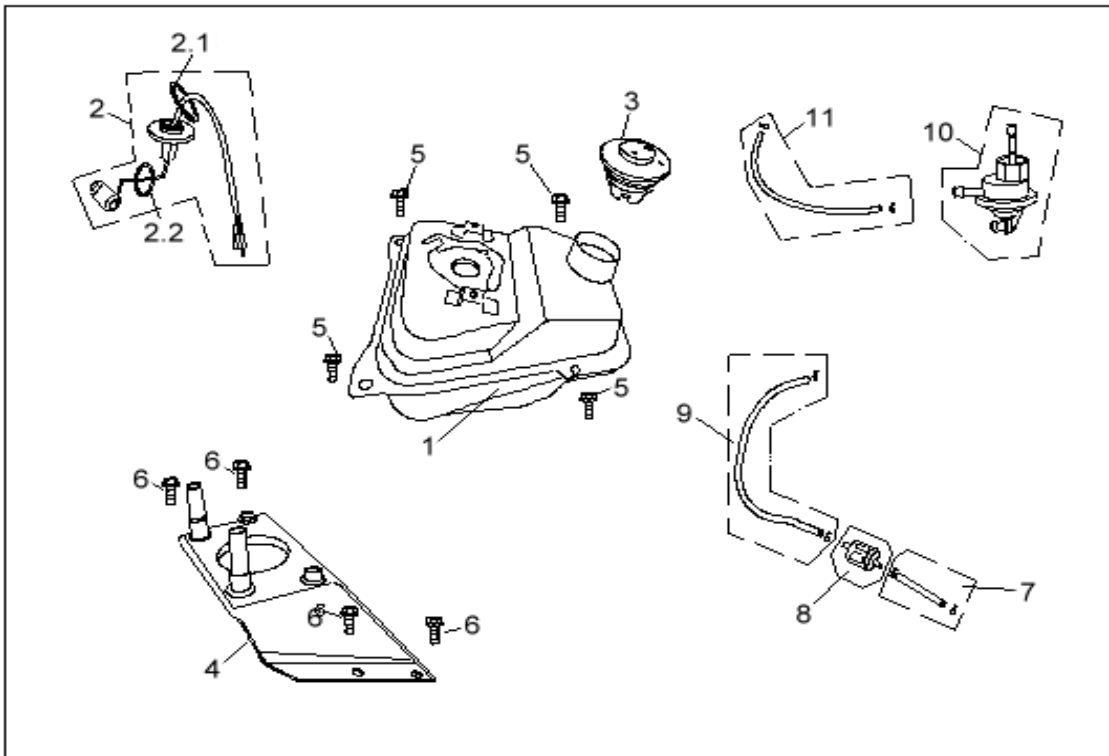
尾灯
后挡泥板



PAGE NO.	Component and Part NO.	English Name	Quantity
F30/1	321100-TACD-0000	Taillight assy.	1
F30/2	604211-TACD-0000	Rear fender	1
F30/1.1	GB/T845-ST4.2×16	Screw tapping ST4.2×16	2
F30/1.2	321110-TACD-0000	Bulb,taillight	1
F30/1.3	321131-TACD-0000	Lampshade,taillight	1
F30/1.4	321120-TACD-0000	Base,taillight	1
F30/3	321400-TACD-0000	Rear licence plate light	1
F30/4	325200-TA9-0000	Rear reflector	1
F30/5	GB/T6177-M6	Nut M6	4
F30/6	604201-TJCC-0000	Rear wheel fender	1
F30/7	501901-TJCC-0000	Bracket , small fender (.)	1
F30/8	501902-TJCC-0000	Bracket , small fender (R)	1
F30/9	GB/T5789-M6×12	Bolt M6×12	4
F30/10	GB9074.6-M6×16	Bolt M6×16	2
F30/11	GB/T6177-Ø6	Gasket Ø6	3
F30/12	821042-TACD-0000	Clip ST4.2	2

F31 Fuel Tank

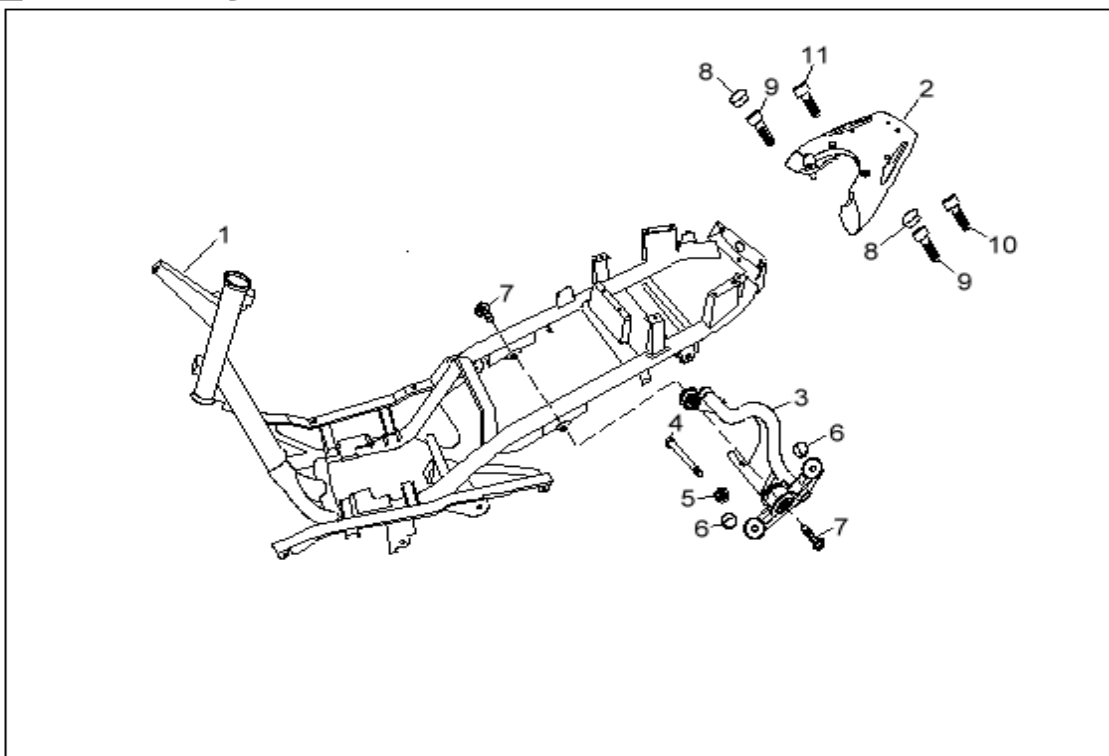
油箱



PAGE NO.	Component and Part NO.	English Name	Quantity
F31/1	515010-TACD-0000	Fuel tank welding assy.	1
F31/2	340100-TAC-0000	Fuel transducer	1
F31/2.1	515202-TAC-0000	Transducer cover	1
F31/2.2	515201-TAC-0000	Rubber ring	1
F31/3	350300-TAC-0000	Fuel tank lock assy.	1
F31/4	506310-TACD-0000	Assembling board welding assy.,fuel tank	1
F31/5	GB/T5789-M6x12	Bolt M6x12	4
F31/6	GB/T5789-M8x12	Bolt M8x12	4
F31/7	515130-TAC-0000	Tube A	1
F31/8	515120-TA9-0000	Fuel filter	1
F31/9	515140-TAC-0000	Tube B	1
F31/10	515100-TA9-0000	Fuel switch assy.	1
F31/11	515150-TAC-0000	Tube, negative pressure	1

F32 Frame Body

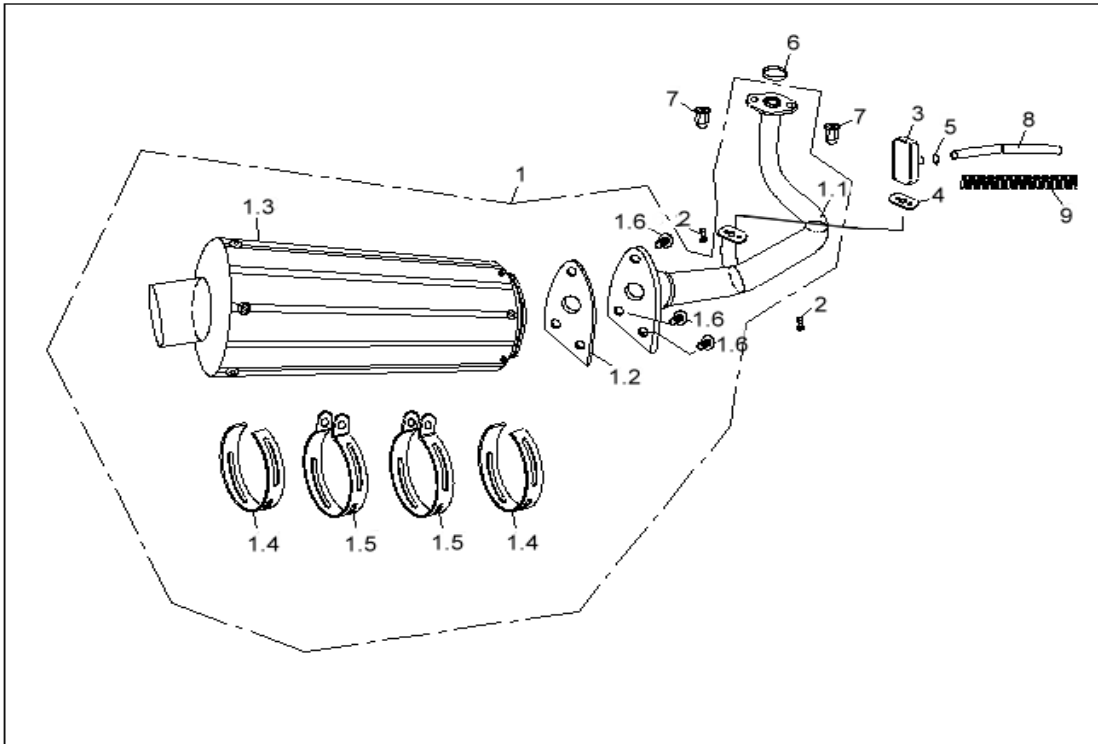
车
架



PAGE NO.	Component and Part NO.	English Name	Quantity
F32/1	501100-TJCD-0000	Frame welding assy.	1
F32/2	506300-TAC-0001	Bracket , carrier	1
F32/3	501710-TJCD-0000	Engine hanging bracket assy.	1
F32/4	501703-TJCD-0000	Assembling axis, hanging bracket	1
F32/5	GB/T6177-M10*1.25	Nut M10*1.25	1
F32/6	501701-TJCB-0000	Rubber	2
F32/7	GB/T5787-M10*1.25*55	Bolt M10x1.25x55	1
F32/8	506301-TA9-0000	Cap, carrier	2
F32/9	GB/T70-M8x40	Screw M8x40	2
F32/10	GB/T70-M8x45	Screw M8x45	2

F33 Muffler Welding Assy.

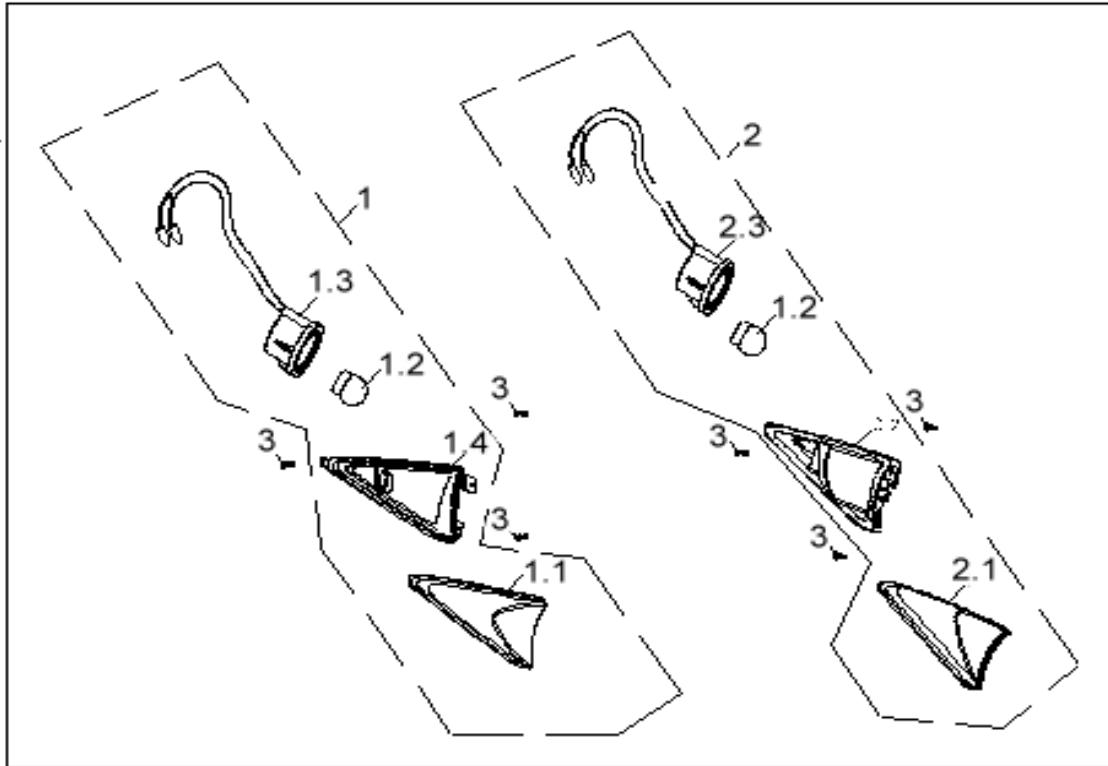
排气消声器



PAGE NO.	Component and Part NO.	English Name	Quantity
F33/1	182100-TJC-0000	Muffler welding assy.	1
F33/1.1	182110-TJC-0000	Front body,muffler welding assy.	1
F33/1.2	182140-TJ7-0000	Paper gasket	1
F33/1.3	182120-TJC-0000	Rear body,muffler welding assy.	1
F33/1.4	182102-TJ7-0000	Fixing rubber	2
F33/1.5	182101-TJ7-0000	Fixing clip	2
F33/1.6	GB/T 70--M8x30	Screw M8x30	3
F33/2	GB/T 818-M6x12	Screw M6x12	2
F33/3	182200-TA9-0000	Control valve	1
F33/4	182220-TA9-0000	Gasket	1
F33/5	182202-TJC-0000	Clip tube	1
F33/6	182010-TJ7-0000	Muffler welding gasket	1
F33/7	182001-TJC-0000	Nut M6x22	2
F33/8	182201-TJC-0000	Tube	1
F33/9	182204-TA9-0000	Press spring, supply air tube	1

F34 Rear Turning Light

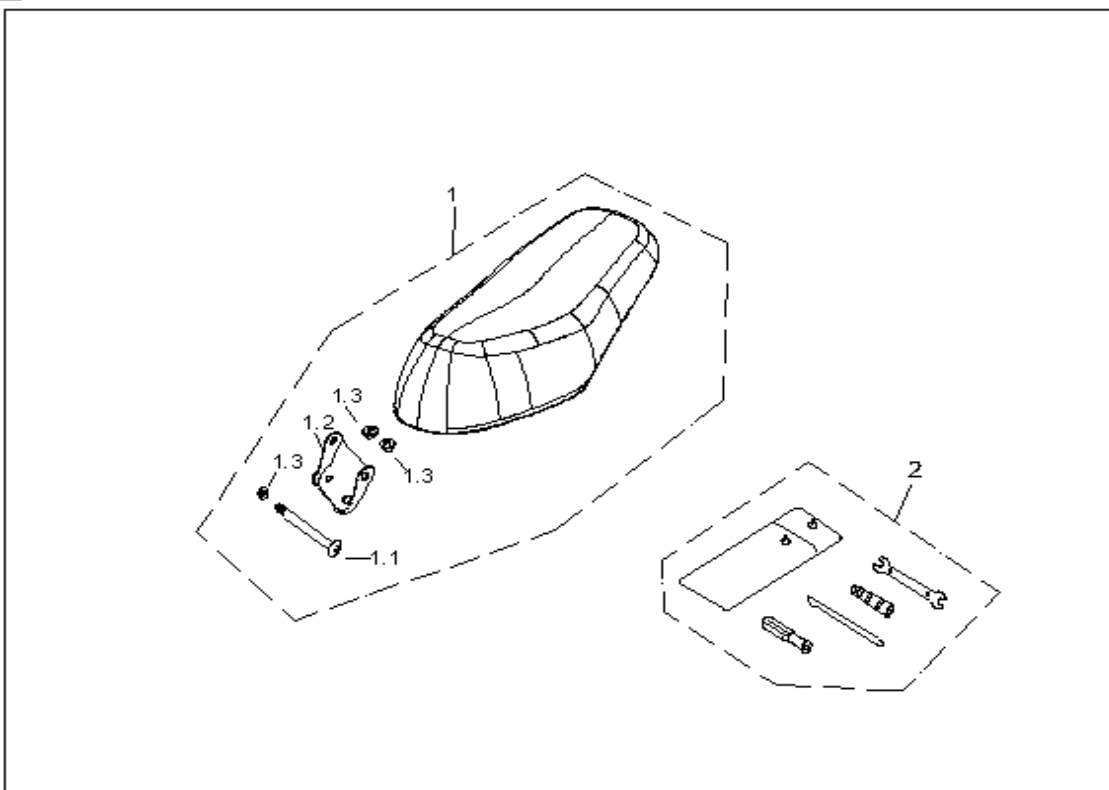
后
转
向
灯



PAGE NO.	Component and Part NO.	English Name	Quantity
F34/1	323100-TACD-0100	Rr. turnning light L.	1
F34/1.1	323131-TACD-0000	Lens,rear turning light(L.)	1
F34/1.2	322110-TACD-0000	Turning light bulb	2
F34/1.3	323120-TACD-0000	Fixing socket, rear turning light(L.)	1
F34/1.4	323140-TACD-0000	Rear turning light shell(L.)	1
F34/2	323200-TACD-0100	Rr. turnning light R.	1
F34/2.1	323231-TACD-0000	Lens,rear turning light(R.)	1
F34/2.2	323240-TACD-0000	Rear turning light shell(R.)	1
F34/2.3	323220-TACD-0000	Fixing socket, rear turning light(R.)	1
F34/3	GB/T5282-ST4.2×16	Screw tapping ST4.2×16	6

F35 Seat

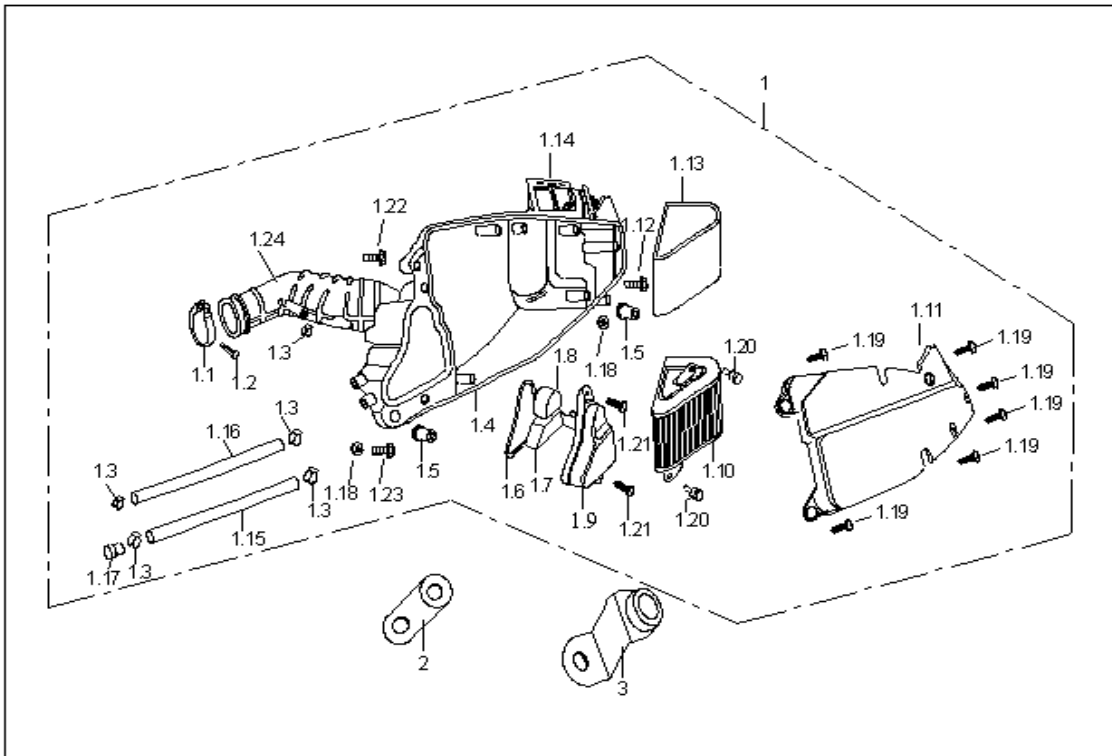
座
垫



PAGE NO.	Component and Part NO.	English Name	Quantity
F35/1	701000-TACC-0000	Seat assy.	1
F35/1.1	701001-TACD-0000	Shaft	1
F35/1.2	701002-TACD-0000	Connecting board	1
F35/1.3	GB/T6177--M6	Nut M6	3
F35/2	801200-TA9-0000	Tool set assy.	1

F36 Air Cleaner

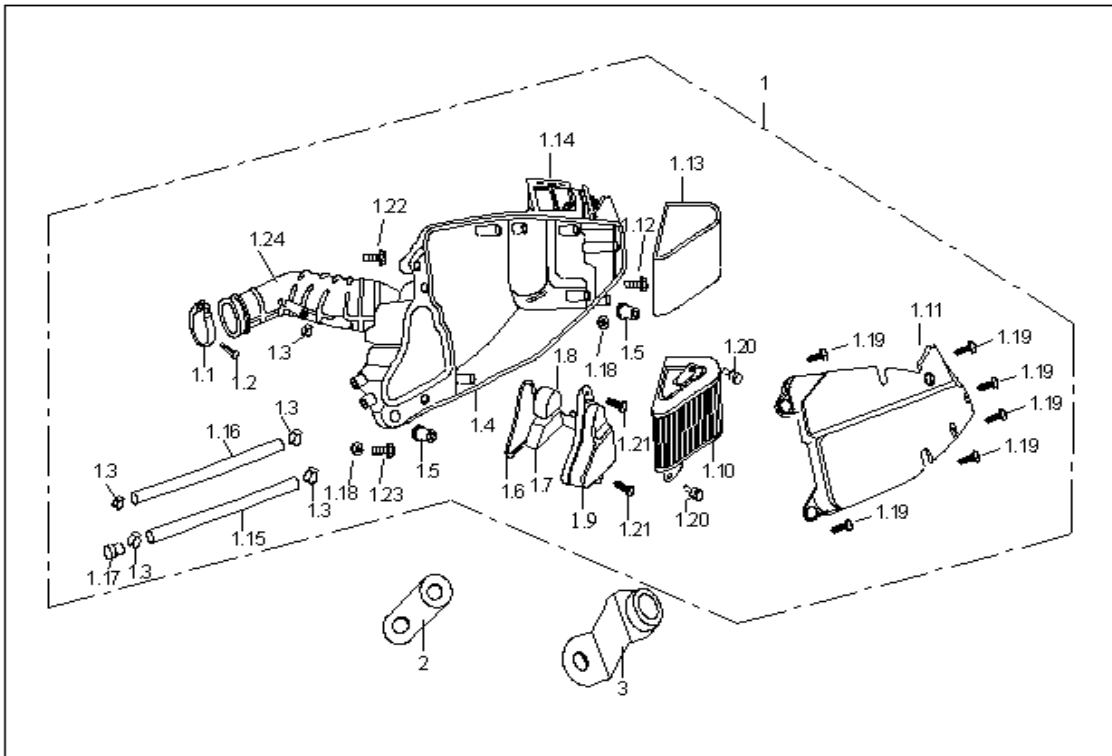
空
滤
器



PAGE NO.	Component and Part NO.	English Name	Quantity
F36/1	172000-TJCC-0000	Case assy. Air cleaner	1
F36/1.1	172140-TJCC-0000	Band connecting , tube	1
F36/1.2	GB/T818-M4x25	Screw pan M4x25	1
F36/1.3	QC/T621-D10.5	Clamp tube(D10.5)	5
F36/1.4	172000-TJCC-0000	Case air cleaner	1
F36/1.5	172104-TJCC-0000	Collar air cleaner setting	2
F36/1.6	172401-TJCC-0000	Seal oil catch	1
F36/1.7	172402-TJCC-0000	Filter oil catch	1
F36/1.8	172403-TJCC-0000	Filter breather	1
F36/1.9	172404-TJCC-0000	Cover assy. Oil catch	1

F36 Air Cleaner

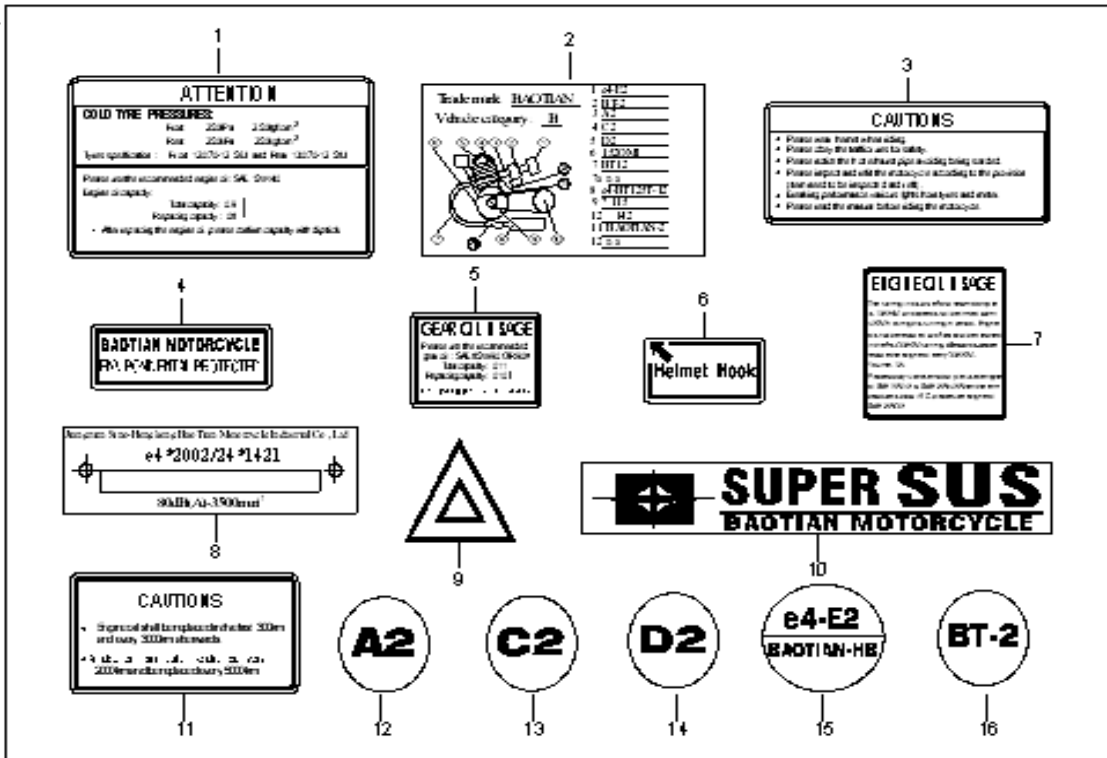
空
滤
器



PAGE NO.	Component and Part NO.	English Name	Quantity
F36/1.10	172120-TJCC-0000	Element comp . Air cleaner	1
F36/1.11	172112-TJCC-0000	Cover air cleaner	1
F36/1.12	GB/T5789-M6x45	Bolt M6x45	1
F36/1.13	172121-TJCC-0000	Sponge , element comp	1
F36/1.14	172201-TJCC-0000	Duct air cleaner case	1
F36/1.15	172405-TJCC-0000	Tube viny l8x12x240	1
F36/1.16	172001-TJCC-0000	Tube	1
F36/1.17	172406-TJCC-0000	Plug breather tube	1
F36/1.18	GB/T6177-M6	Nut M6	2
F36/1.19	GB/T845-ST4.8x20	Self-tapping screw ST4.8x20	7
F36/1.20	GB9074.14-M5x10	Screw-washer M5x10	2
F36/1.21	GB/T845-ST4.2x13	Self-tapping screw ST4.2x13	2
F36/1.22	GB/T5789-M6x12	Bolt M6x12	1
F36/1.23	GB/T5789-M6x16	Bolt M6x16	1
F36/1.24	172130-TJCC-0000	Air cleaner , link tube	1
F36/2	172011-TJCD-0000	Fr.Bracket, air cleaner	1
F36/3	172012-TJCD-0000	Rr.Bracket, air cleaner	1

F37 Mark

贴
花



PAGE NO.	Component and Part NO.	English Name	Quantity
F37/1	830301-TAC-0000	Mark,central cover	1
F37/2	830112-TJCD-0000	Nameplate, anti-refit	1
F37/3	830304-TA9-0000	Mark B, head cover	1
F37/4	830302-TA9-0000	Mark A, head cover	1
F37/5	830306-TA9-0000	Gear oil mark	1
F37/6	830305-TA9-0000	Mark, helmet hook	1
F37/7	830307-TA9-0000	Engine oil mark	1
F37/8	830101-TJC-0000	Chassis nameplate	1
F37/9	830316-TA9-0000	Mark, triangle	1
F37/10	830349-TA9-0000	Mark, front shock absorber	2
F37/11	830308-TA9-0000	Air cleaner mark	1
F37/12	830309-TJ9-0000	Mark A	1
F37/13	830312-TJ9-0000	Mark C	1
F37/14	830313-TJ9-0000	Mark D	1
F37/15	830311-TJ9-0000	Mark e4-E	1
F37/16	830315-TJ9-0000	Mark BT	1

