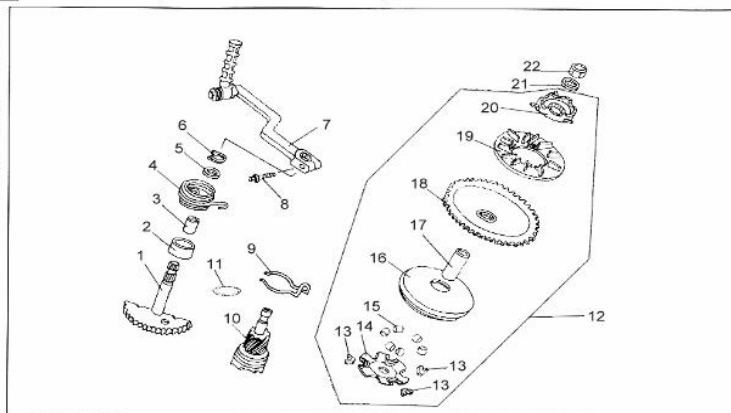


F12 Driver Assy. & Foot-starter Assy.

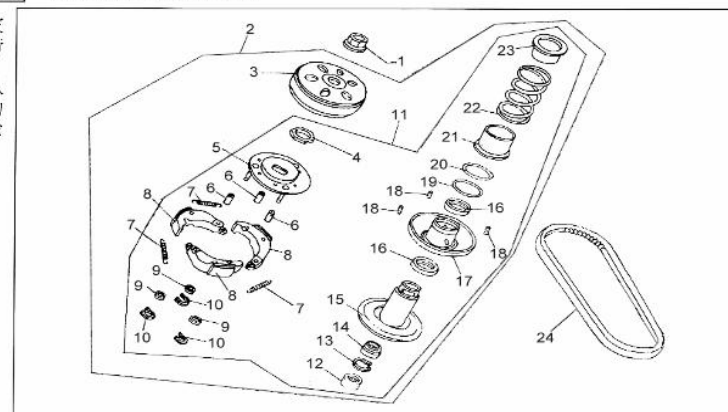
主动轮·脚起动机装置



NO.	Component and Part NO.	English Name	Quantity
F12/1	110210-139QMA-0000	Kick Starter Shaft Comp.	1
F12/2	110215-139QMA-0000	Bush $\Phi 34 \times \Phi 38 \times 4.5$	1
F12/3	110213-139QMA-0000	Bush $\Phi 14 \times \Phi 18 \times 22.5$	1
F12/4	110201-139QMA-0000	Spring, torsion	1
F12/5	110216-139QMA-0000	Washer	1
F12/6	GB894.1-14	Clip	1
F12/7	110300-139QMA-0000	Arm Assy, Kick Starter	1
F12/8	GB5782-M6x22G	Bolt M6x22	1
F12/9	110102-139QMA-0000	Spring	1
F12/10	110100-139QMA-0000	Gear Comp, idle	1
F12/11	110101-139QMA-0000	Washer	1
F12/12	114100-139QMA-0000	Driver Assy	1
F12/13	114103-139QMA-0000	Buffer Plate Drive	3
F12/14	114101-139QMA-0000	Plate, Ramp	1
F12/15	114120-139QMA-0000	Reller set	6
F12/16	114110-139QMA-0000	Right Part, Driver	1
F12/17	114102-139QMA-0000	Bush, Driver	1
F12/18	114104-139QMA-0000	Left Part, Driver	1
F12/19	114105-139QMA-0000	Fan, Driver	1
F12/20	114106-139QMA-0000	Foot-starter Driver Claw	1
F12/21	GB97.1-12	Washer, $\Phi 12$	1
F12/22	GB6187-M12x1.25W	Nut	1

F13 Belt & Driven Assy.

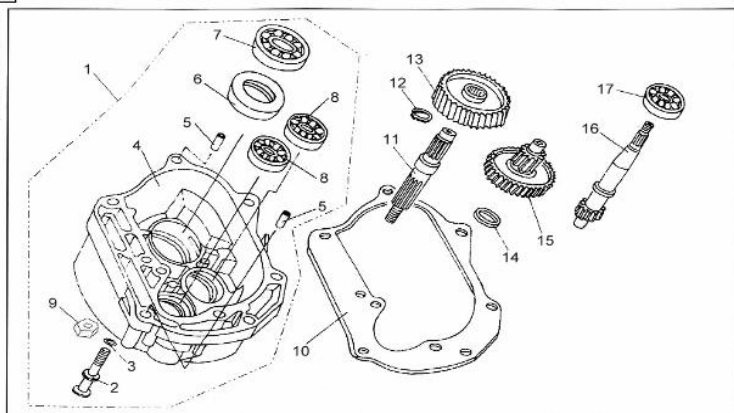
皮带·从动轮



NO.	Component and Part NO.	English Name	Quantity
F13/1	GB6187-M10x1.25W	Nut	1
F13/2	114200-139QMA-0000	Driver Puller Assy.	1
F13/3	114300-139QMA-0000	Outer Clutch Assy.	1
F13/4	116301-139QMA-0000	Nut, Special	1
F13/5	114240-139QMA-0000	Baseplate Clutch	1
F13/6	114232-139QMA-0000	Washer	3
F13/7	114233-139QMA-0000	Spring, Clutch	3
F13/8	114250-139QMA-0000	Waiyht, Clutch	3
F13/9	114234-139QMA-0000	Washer	3
F13/10	GB896-5	Clip	3
F13/11	114230-139QMA-0000	Plate-Assy, Driver	1
F13/12	GB3038-18	Bearing Needle	1
F13/13	GB983.1-24	Clip	1
F13/14	GB276-94	Bearing	1
F13/15	114210-139QMA-0000	Right Comp, Driver	1
F13/16	YF34x39x3	Oil Seal Assy, Driver	2
F13/17	114220-139QMA-0000	Left Lemp, Driver	1
F13/18	116403-139QMA-0000	Pin, Roller Guide	3
F13/19	GB3452.1-39.8x2.2	Right O-ring, Driver	1
F13/20	GB3452.1-36x1.5	Left O-ring, Spring	1
F13/21	114202-139QMA-0000	Right Seat, Spring	1
F13/22	114201-139QMA-0000	Spring, Driver	1
F13/23	114206-139QMA-0000	Left Seat, Spring	1
F13/24	114001-139QMA-0200	V-bolt	1

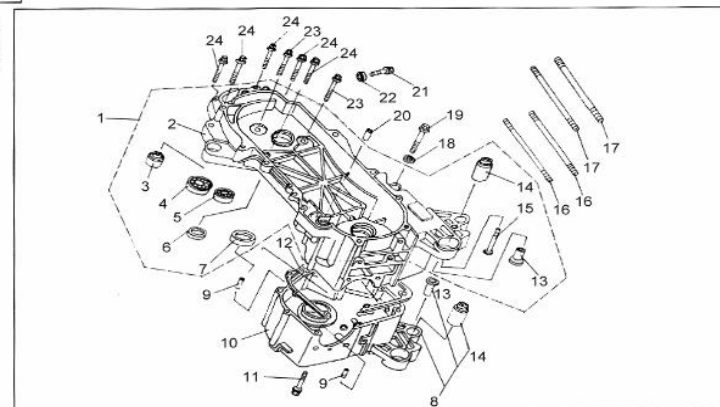
F14 Rear Transmission

后传动机构



F15 Crankcase

曲轴箱

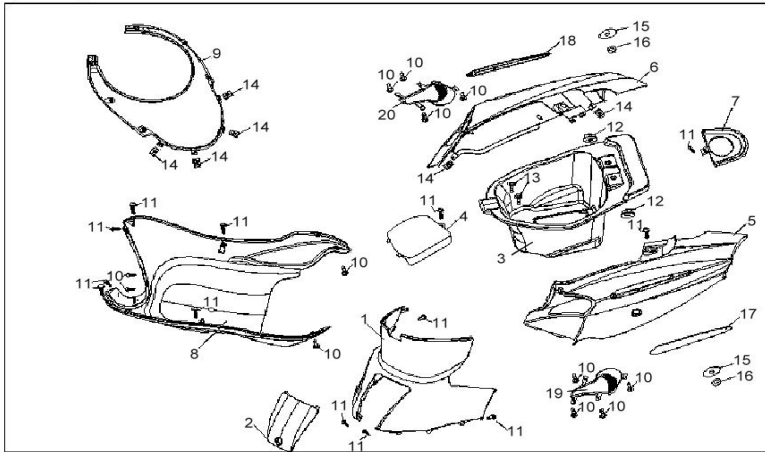


NO.	Component and Part NO.	English Name	Quantity
F14/1	115000-139QMA-0000	Rear Transmission Box Assy	1
F14/2	115102-139QMA-0000	Brake Pedal Install Shaft	1
F14/3	GB3452.1-7.5x1.5	Brake Pedal Install Shaft O-ring	1
F14/4	115100-139QMA-0000	Rear Transmission Box	1
F14/5	DWX10x8.4x20	Pin, Rear Transmission Box	2
F14/6	GB13871-27x42x7	Oil Seal Assy	1
F14/7	GB276-6004-2RS	Bearing	1
F14/8	GB276-6201/P6	Bearing	2
F14/9	GB699-8x1.25	Nut	1
F14/10	115005-139QMA-0000	Gasket, Rear Cover	1
F14/11	115002-139QMA-0000	Shaft, Final	1
F14/12	GB894.1-19x1.1	Clip	1
F14/13	115003-139QMA-0000	Gear, Final	1
F14/14	115006-139QMA-0000	Washer, Counter Shaft	1
F14/15	115010-139QMA-0000	Counter, Shaft Comp	1
F14/16	115001-139QMA-0000	Shaft, Drive	1
F14/17	6303X3-2/P63	Left Bearing, Shaft, Drive	1

NO.	Component and Part NO.	English Name	Quantity
F15/1	104000-139QMA-0000	Left crankcase Assy.	1
F15/2	104100-139QMA-0200	Left crankcase	1
F15/3	104130-139QMA-0000	Bush Harge	1
F15/4	GB276-94	Bearing, Radial Ball	2
F15/5	BG276-94	Bearing, Radial Ball	1
F15/6	YF17x30x6	Seal	1
F15/7	YF19.8x30x5	Crankshaft Oil Seal Assy., Left	1
F15/8	105000-139QMA-0000	Right crankcase Assy.	1
F15/9	DWX8x6.3x14	Pin, Dowel	2
F15/10	105100-139QMA-0000	Right crankcase	1
F15/11	GB5787-M6x45W	Bolt M6x45	1
F15/12	104002-139QMA-0000	Gasket, Crankcase	1
F15/13	104102-139QMA-0000	Main-Stand Install Assy	2
F15/14	104120-139QMA-0000	Front-Stand Sacer Assy	2
F15/15	104104-139QMA-0000	Fixing Shaft, Main-Stand Spring	2
F15/16	105001-139QMA-0000	Stud	2
F15/17	104001-139QMA-0000	Stud	2
F15/18	GB97.1-8x16x1.5	Washer, plug	1
F15/19	GB/T5789-8x12	Dram Plug	1
F15/20	1103102-139QMA-0000	Bush	1
F15/21	GB5789-M8x12	Bolt M8x12	1
F15/22	GB97.1-8	Washer	1
F15/23	GB5787-M8x35W	Bolt M8x35	2
F15/24	GB5787-M8x40W	Bolt M8x40	5

F28 Body Cover

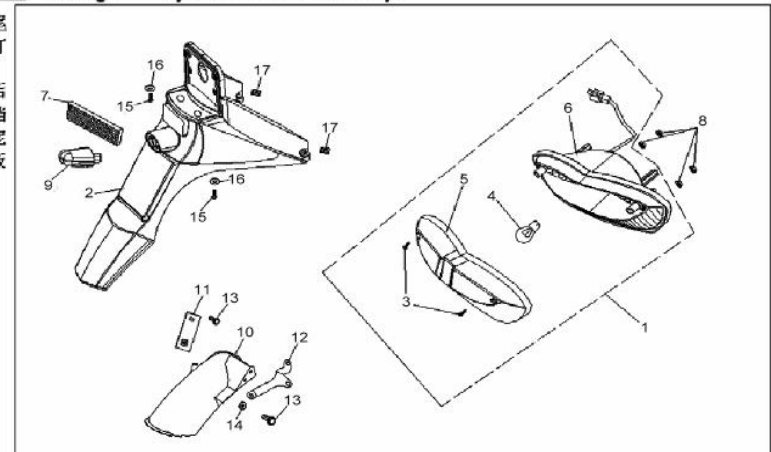
车体盖



NO.	Component and Part NO.	English Name	Quantity
F28/1	601503-TACD-0000	Center cover	1
F28/2	601506-TACD-0000	Small cover,center cover	1
F28/3	601501-TACC-0000	Luggage box	1
F28/4	601502-TACC-0000	Inner cover,luggage box	1
F28/5	601201-TACD-0000	Rear fender apron (L.)	1
F28/6	601202-TACD-0000	Rear fender apron (R.)	1
F28/7	601203-TACD-0000	Rear center cover	1
F28/8	601405-TACD-0000	Bottom Cover	1
F28/9	601407-TACD-0000	Fender comp.Frame body	1
F28/10	GB/T845-1985	Screw tapping ST4.2x12	14
F28/11	GB/T845-1985	Screw tapping ST4.2x16	13
F28/12	GB/T6177-1986	Nut M6	2
F28/13	GB/T5789-1986	Bolt M6x16	2
F28/14	821042-TAC-0000	Clip ST4.2	10
F28/15	515221-TAC-0000	Washer	6
F28/16	601211-TAC-0000	Rubber washer	2
F28/17	601207-TAC-0000	Decorate plank,Rear fender apron	1
F28/18	601208-TAC-0000	Decorate plank,Rear fender apron	1
F28/19	601205-TAC-0000	Well ventilated cover,Rear fender apron	1
F28/20	601206-TAC-0000	Well ventilated cover,Rear fender apron	1

F29 Taillight Assy./Rear Fender Assy.

尾灯
后挡泥板



NO.	Component and Part NO.	English Name	Quantity
F29/1	321100-TACD-0000	Taillight assy.	1
F29/2	604212-TACD-0000	Rear fender	1
F29/3	GB/T845-1985	Screw tapping ST4.2x16	2
F29/4	321110-TACD-0000	Bulb,taillight	1
F29/5	321131-TACD-0000	Lampshade,taillight	1
F29/6	321200-TACD-0000	The empress license light	1
F29/7	325200-TACD-0000	Rear reflector	1
F29/8	GB/T6177-1986	Nut M6	4
F29/9	321120-TAC-0000	Base,taillight	1
F29/10	6042061-TAC-0000	Small fender	1
F29/11	501901-TAC-0000	Left bracket,small fender	1
F29/12	501902-TAC-0000	Rear bracket,small fender	1
F29/13	GB/T5789-1986	Bolt M6x12	2
F29/14	GB/T6177-1986	Nut M6	1
F29/15	GB9074.6-88	Bolt M6x16	2
F29/16	GB/T6177-1986	Gasket Ø6	3
F29/17	821042-TACD-0000	Clip ST4.2	2

