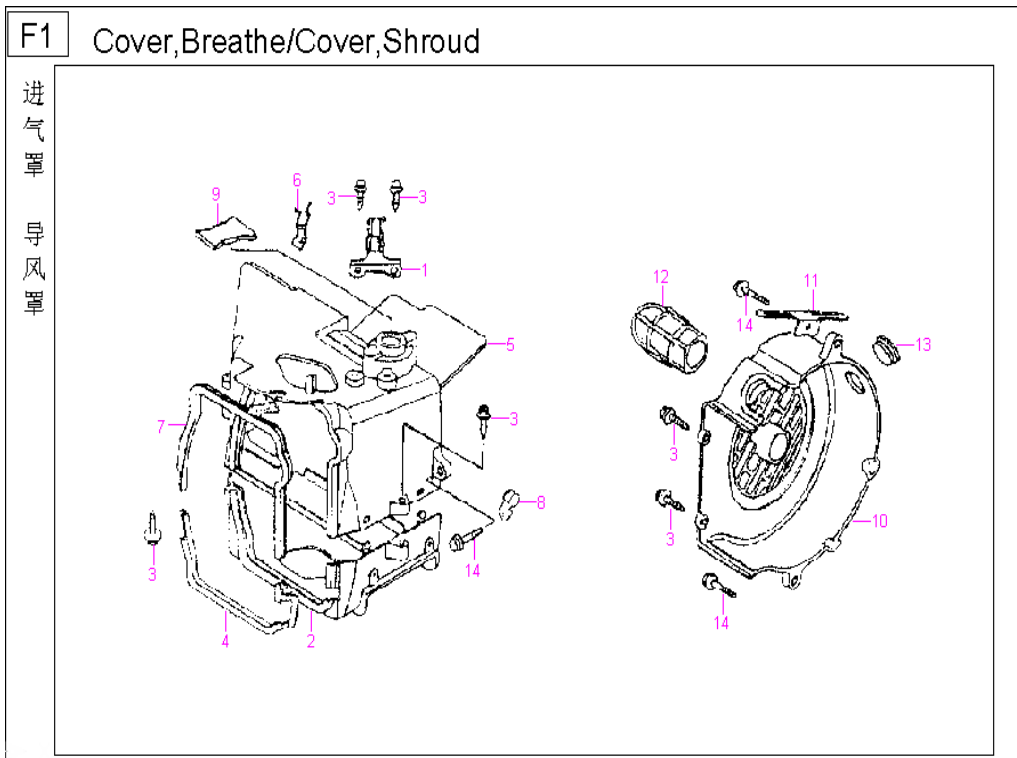


**BAOTIAN WARRIOR
ERSATZTEILE HANDBUCH
BT125QT-12C**

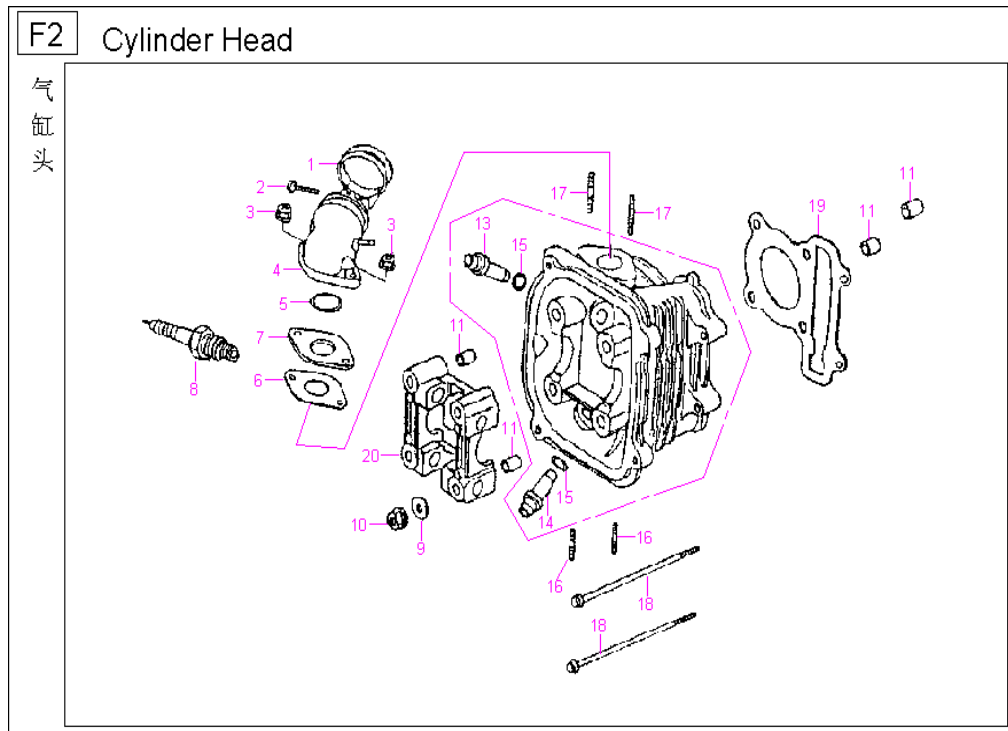
Baotian/Ering WARRIOR 125 - BT125T-12C



F1 Cover breathe & Cover shroud

NO.	Component and Parts No.	English Name	Quantity
F1/1	108101-152QMI-0000	Clamper,breather tube	1
F1/2	119020-152QMI-0000	Upper shroud	1
F1/3	GB/T 845-1985	Screw tapping ST4.2*16	6
F1/4	108201-152QMI-0000	Seal ring A	1
F1/5	119010-152QMI-0000	Lower shroud	1
F1/6	119013-152QMI-0000	Cord clip	1
F1/7	108103-152QMI-0000	Seal ring B	1
F1/8	119002-152QMI-0000	Clamper,overflow tube	1
F1/9	108104-152QMI-0000	Rubber plug	1
F1/10	119030-152QMI-0000	Cover assy,breathe	1
F1/11	119034-152QMI-0000	Clamper,starter	1
F1/12	119033-152QMI-0000	Cooling tube	1
F1/13	119031-152QMI-0000	Observed plug	1
F1/14	GB/T 5787-1986	Bolt M6*25	3

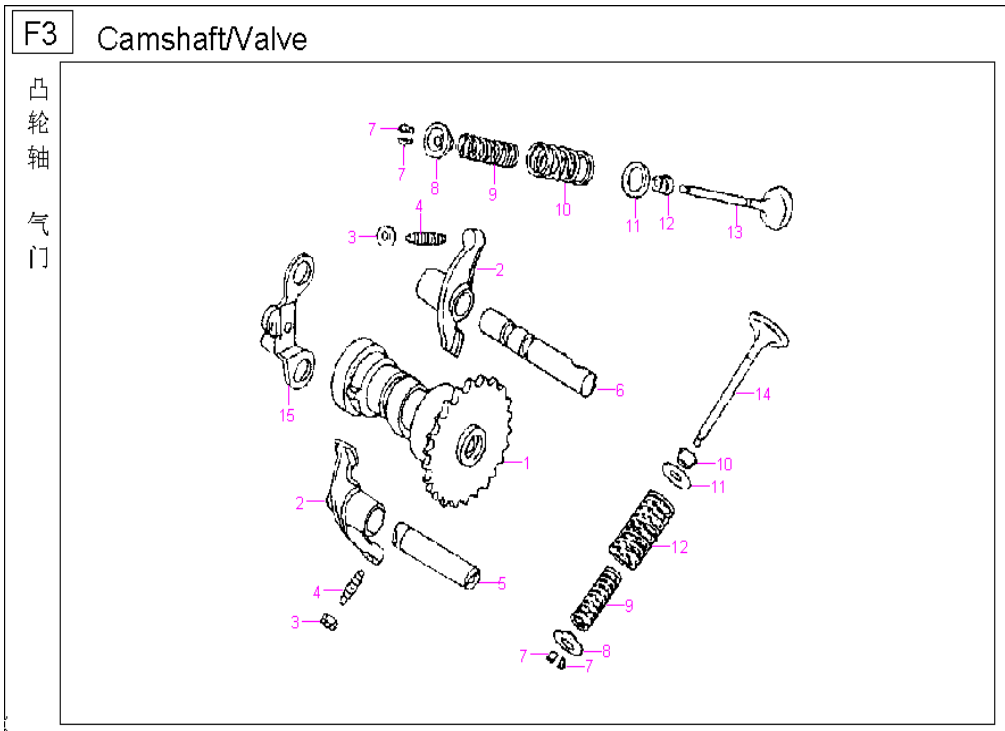
Baotian/Ering WARRIOR 125 - BT125T-12C



F2 Cylinder head

F2/1	101310-152QMI-0000	Clamper	1
F2/2	GB/T 818-1985	Screw M4*25	1
F2/3	GB/T 6177-1986	Nut M6	2
F2/4	101300-152QMI-0000	Pipe in	1
F2/5	GB3452.1	O-ring 27*2.0	1
F2/6	101305-152QMI-0000	Insulator, carburetor	1
F2/7	101306-152QMI-0000	Gasket,carburetor insulator	1
F2/8	101201-152QMI-0000	Spark plug(A7RTC)	1
F2/9	GBT97.1-8.4x18x2	Washer GBT97.1-8.4x18x2	4
F2/10	101203-152QMI-0000	Nut M8	4
F2/11	101204-152QMI-0000	Dowel Pin	4
F2/12	101215-152QMI-0000	Cylinder head	1
F2/13	101211-152QMI-0000	Guide pipe,in valve	1
F2/14	101213-152QMI-0000	Guide pipe,ex valve	1
F2/15	GB/T3452.1-9x1.6	O-ring 9*1.6	2
F2/16	101202-152QMI-0000	2-stud bolt M6*32	2
F2/17	101301-152QMI-0000	2-stud bolt M6*63	2
F2/18	GB/T 5787-1986	Bolt M6*100	2
F2/19	101205-152QMI-0000	Gasket,cylinder head	1
F2/20	101431-152QMI-0000	Setting base,camshaft	1

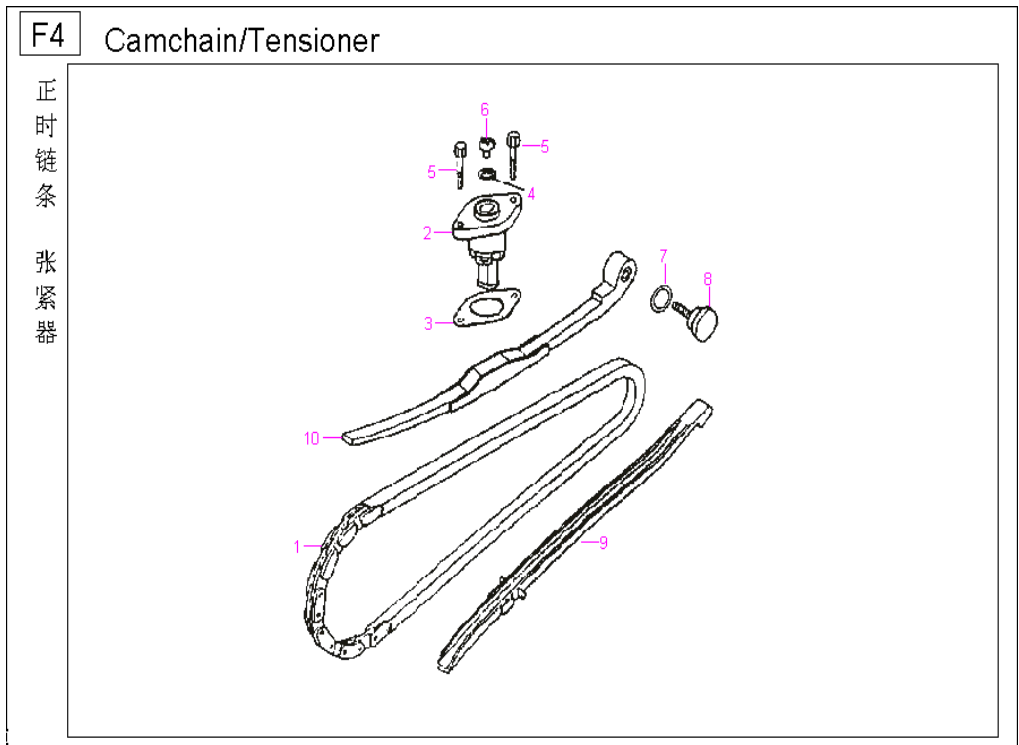
Baotian/Ering WARRIOR 125 - BT125T-12C



F3 Chamshaft / Valve

F3/1	110100-152QMI-0000	Camshaft Comp.	1
F3/2	101432-152QMI-0000	Arm,vale rocker	2
F3/3	101433-152QMI-0000	Nut	2
F3/4	101434-152QMI-0000	Adjusting screw	2
F3/5	101435-152QMI-0000	Shaft comp.,Ex.	1
F3/6	101436-152QMI-0000	Shaft comp., In	1
F3/7	101408-152QMI-0000	Lock, valve	4
F3/8	101407-152QMI-0000	Retainer, valve spring	2
F3/9	101405-152QMI-0000	Inner spring, valve	2
F3/10	101406-152QMI-0000	Outer spring, valve	2
F3/11	109116-152QMI-0000	Seat, valve spring	2
F3/12	GB13871-92	Seal, valve	2
F3/13	101402-152QMI-0000	Valve in.	1
F3/14	101401-152QMI-0000	Valve ex.	1
F3/15	109209-152QMI-0000	Stop plate	1

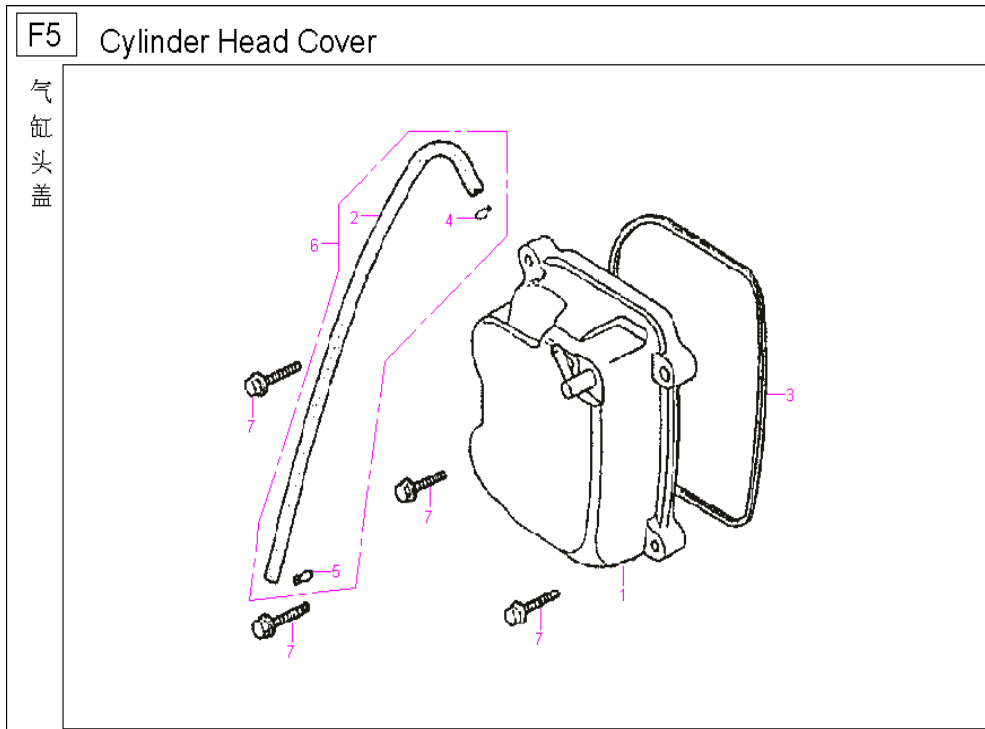
Baotian/Ering WARRIOR 125 - BT125T-12C



F4 Chamchain / Tensioner

F4/1	118200-152QMI-0000	Cam chain	1
F4/2	118300-152QMI-0000	Tensioning device	1
F4/3	118002-152QMI-0000	Gasket,tensioner device	1
F4/4	GB3452.1	O-ring 9.5*1.5	1
F4/5	GB/T 5787-1986	Bolt M6*22	2
F4/6	118301-152QMI-0000	Bolt M6*6	1
F4/7	GB3452.1	O-ring 15.2*1.5	1
F4/8	118001-152QMI-0000	Bolt,tensioning board	1
F4/9	118020-152QMI-0000	Guiding board comp.	1
F4/10	118010-152QMI-0000	Tensioning board comp.	1

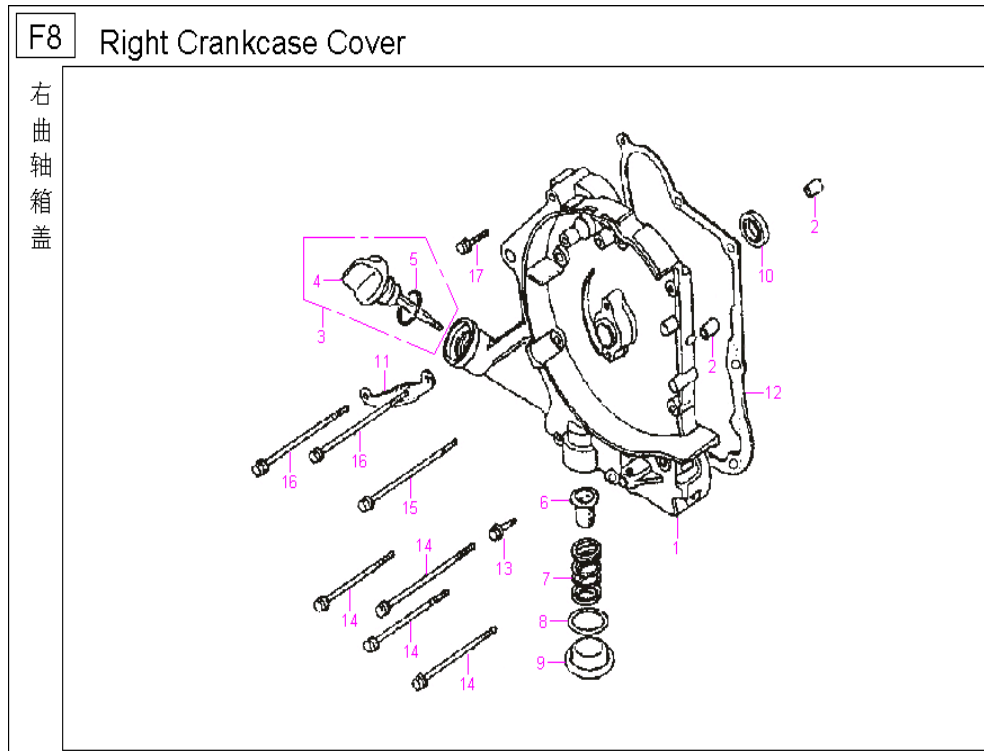
Baotian/Ering WARRIOR 125 - BT125T-12C



F5 Cylinder head cover

F5/1	101101-152QMI-0000	Cover comp.,cylinder head	1
F5/2	101105-152QMI-0000	Tube	1
F5/3	101102-152QMI-0000	Gasket,cylinder head cover	1
F5/4	101106-152QMI-0000	Tube clip B8	1
F5/5	101106-152QMI-0000	Tube clip B12	1
F5/6	108710-152QMI-0000	Tube assy	1
F5/7	GB/T 5787-1986	Bolt M6*25	4

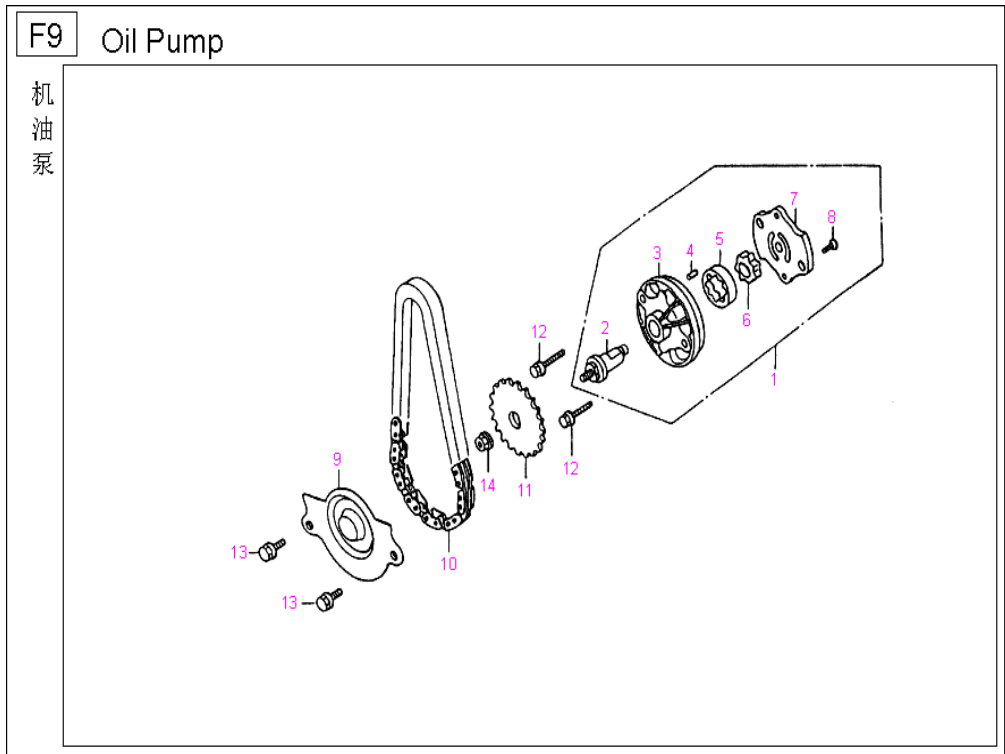
Baotian/Ering WARRIOR 125 - BT125T-12C



F8 Right crankcase cover

F8/1	106111-152QMI-0000	Right crankcase cover	1
F8/2	103002-152QMI-0000	Dowel Pin	2
F8/3	106100-152QMI-0000	Gauge assy., oil level	1
F8/4	106101-152QMI-0000	Oil level gauge	1
F8/5	GB3452.1	O-ring 18*3	1
F8/6	106212-152QMI-0000	Screen,oil filter	1
F8/7	106202-152QMI-0000	Spring,oil filter screen	1
F8/8	GB3452.1	O-ring 30.8*3	1
F8/9	106201-152QMI-0000	Cap,oil filter screen	1
F8/10	YF 19.8*30*5	Oil seal YF19.8*30*5	1
F8/11	106103-152QMI-0000	Clamper,A.C Generator cord	1
F8/12	106001-152QMI-0000	Gasket,right crankcase cover	1
F8/13	GB/T 5787-1986	Bolt M6*32	1
F8/14	GB/T 5787-1986	Bolt M6*95	4
F8/15	GB/T 5787-1986	Bolt M6*100	1
F8/16	GB/T 5787-1986	Bolt M6*110	2
F8/17	GB/T 5787-1986	Bolt M6*40	1

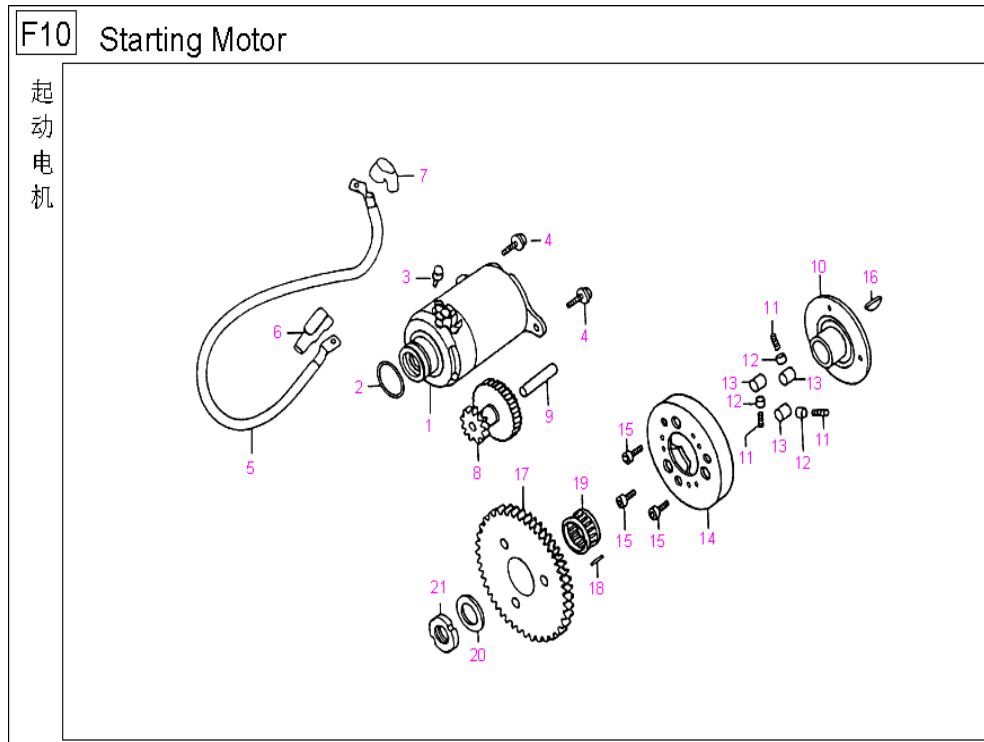
Baotian/Ering WARRIOR 125 - BT125T-12C



F9 Oilpump

F9/1	108000-152QMI-0000	Oil pump assy.	1
F9/2	108125-152QMI-0000	Oil pump shaft	1
F9/3	108121-152QMI-0000	Oil pump body	1
F9/4	GB119.1-2000	Dowel pin 4*6.5	1
F9/5	108123-152QMI-0000	Outer rotor,oil pump	1
F9/6	108124-152QMI-0000	Inner rotor,oil pump	1
F9/7	108122-152QMI-0000	Plate	1
F9/8	GB/T 818-1985	Screw M3*10	1
F9/9	108002-152QMI-0000	Oil separator	1
F9/10	108003-152QMI-0000	Oil pump chain	1
F9/11	108110-152QMI-0000	Driven sprocket,oil pump	1
F9/12	GB/T 5787-1986	Bolt M6*25	2
F9/13	GB/T 5787-1986	Bolt M6*12	2
F9/14	GB/T 6177-1986	Nut M6	1

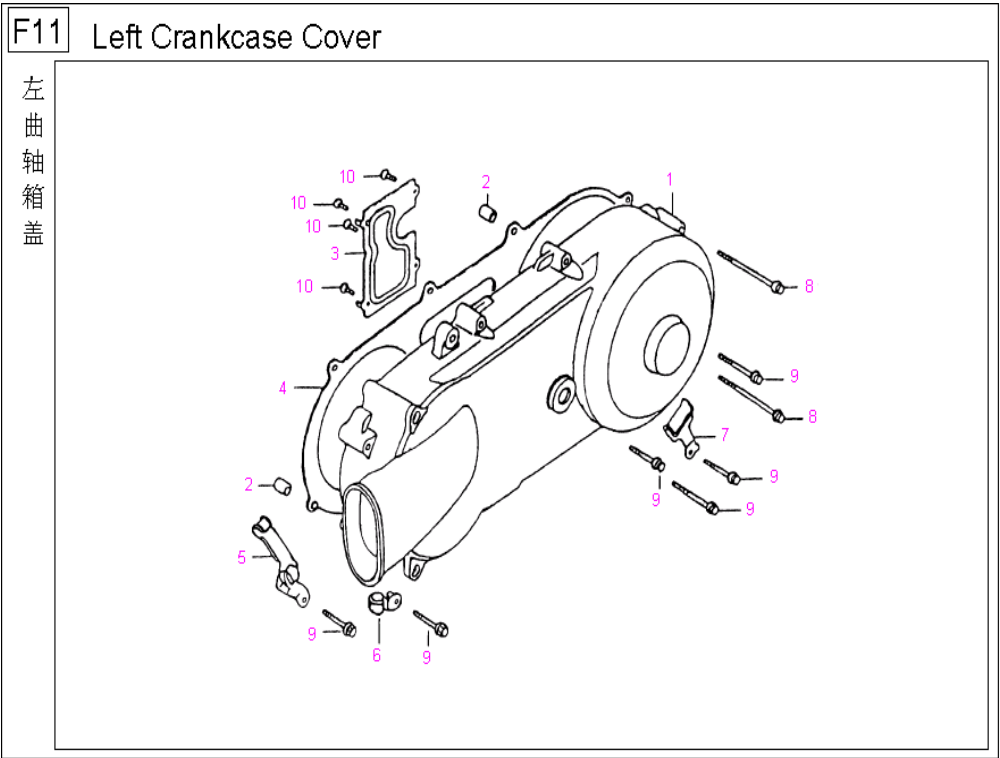
Baotian/Ering WARRIOR 125 - BT125T-12C



F10 Starting Motor

F10/1	109111-152QMI-0000	Starter motor assy.	1
F10/2	GB3452.1	O-ring 24.4*3.1	1
F10/3	GB/T 5787-1986	Bolt M5*8	1
F10/4	GB/T 5787-1986	Bolt M6*16	2
F10/5	109112-152QMI-0000	Starting motor cable	1
F10/6	109113-152QMI-0000	Rubber A	1
F10/7	109114-152QMI-0000	Rubber B	1
F10/8	109001-152QMI-0000	Electric starting gear	1
F10/9	109121-152QMI-0000	Shaft,electric starting	1
F10/10	109220-152QMI-0000	Flange,starting clutch	1
F10/11	118154-152QMI-0000	Spring,starting clutch roller	3
F10/12	118155-152QMI-0000	Cap, starting clutch roller spring	3
F10/13	118157-152QMI-0000	Roller	3
F10/14	109222-152QMI-0000	Outer comp.,starting clutch	1
F10/15	GB/T 70-1985	Bolt M6*12	3
F10/16	GB/T 1099-1979	Woodruff key	1
F10/17	109210-152QMI-0000	Gear comp.,starting clutch	1
F10/18	DWX5*6	Dowel pin 5*6	1
F10/19	109214-152QMI-0000	Needle bearing	1
F10/20	GB/T 97.1-1985	Washer 22.6*31*2.5	1
F10/21	GB/T 812-1988	Nut M22	1

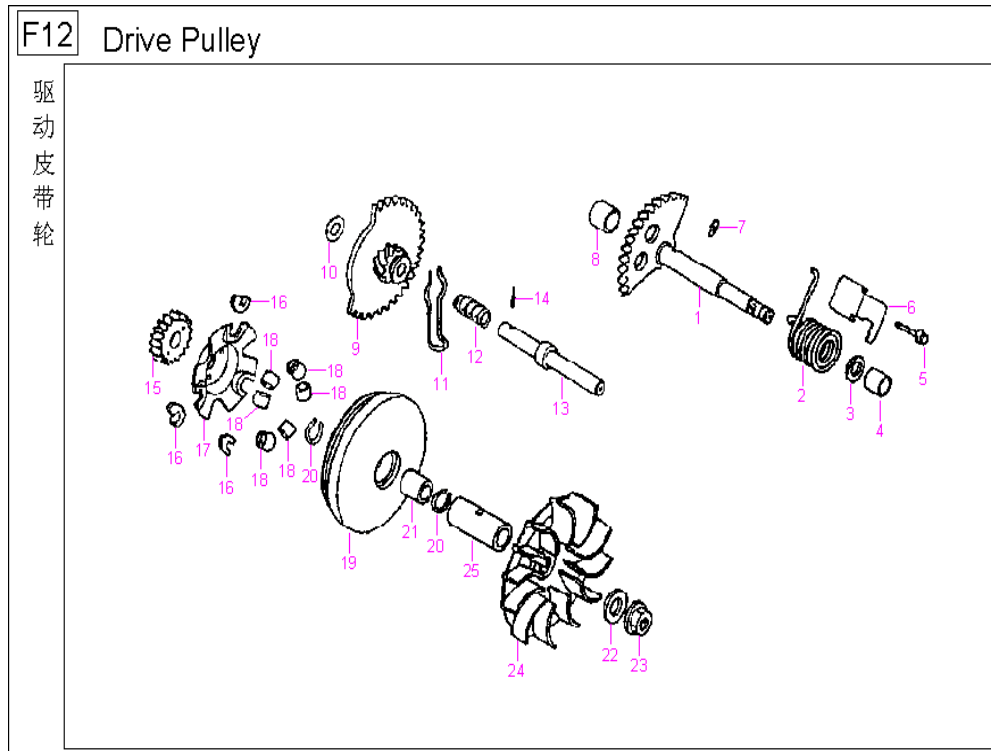
Baotian/Ering WARRIOR 125 - BT125T-12C



F11 Left Crankcase Cover

F11/1	103101-152QMI-0000	Left crankcase cover	1
F11/1A	103101A-152QMI-0100	Left crankcase cover	1
F11/1B	103101B-152QMI-0200	Left crankcase cover	1
F11/2	103002-152QMI-0000	Dowel pin	2
F11/3	103106-152QMI-0100	Guiding plate	1
F11/4	103001-152QMI-0000	Gasket,left cover	1
F11/4A	103001A-152QMI-0100	Gasket,left cover	1
F11/5	103102-152QMI-0000	Clamer	1
F11/6	103005-152QMI-0000	Clamer,overflow tube	1
F11/7	103003-152QMI-0000	Clamer,brake cable	1
F11/8	GB/T 5787-1986	Bolt M6*65	2
F11/9	GB/T 5787-1986	Bolt M6*40	6
F11/10	GB/T 818-1985	Screw M4*8	4

Baotian/Ering WARRIOR 125 - BT125T-12C



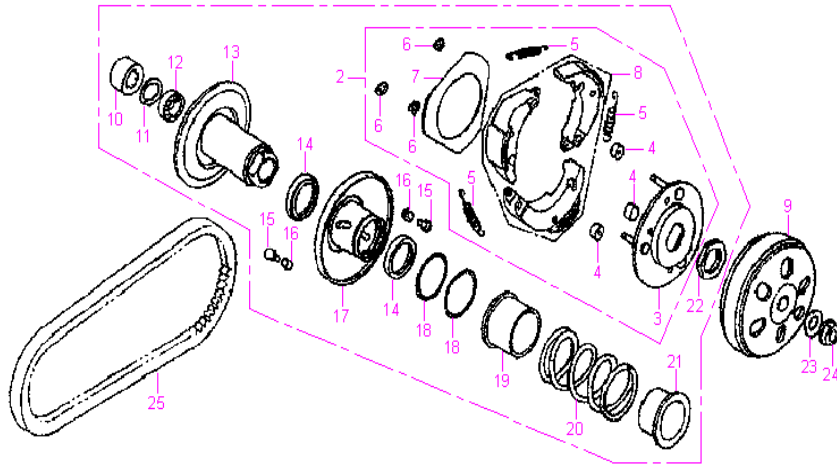
F12 Drive Pulley

F12/1	110200-152QMI-0000	Spindle comp.,kick starter	1
F12/1A	110200A-152QMI-0000	Spindle comp.,kick starter	1
F12/2	110214-152QMI-0000	Spring,kick starter	1
F12/3	110216-152QMI-0000	Washer 14	1
F12/4	110215-152QMI-0100	Bush,kick spindle	1
F12/5	GB/T 5787-1986	Bolt M6*14	1
F12/6	110203-152QMI-0000	Stop board	1
F12/7	11021D-152QMI-0000	Pin 4.5	1
F12/8	110215-152QMI-0000	Bush	1
F12/9	110235-152QMI-0000	Start idler	1
F12/10	GB/T 97.1-1985	Washer 12.5	1
F12/11	110231-152QMI-0000	Spring	1
F12/12	110232-152QMI-0000	Spring,driver shaft	1
F12/13	110233-152QMI-0000	Driver shaft,start idler	1
F12/14	110234-152QMI-0000	Roller 3*8.5	1
F12/15	110204-152QMI-0000	Driven gear	1
F12/16	114103-152QMI-0000	block	3
F12/17	114101-152QMI-0000	Plate	1
F12/18	114120-152QMI-0000	Roller set	6
F12/19	114110-152QMI-0000	Right comp.,driver	1
F12/20	114113-152QMI-0000	Clip	2
F12/21	116215-152QMI-0000	Collar	1
F12/22	GB/T 97.1-1985	Washer 12	1
F12/23	GB/T 6177-1986	Nut M12	1
F12/24	114104-152QMI-0000	Left,driver	1
F12/25	114102-152QMI-0000	Collar bush	1

Baotian/Ering WARRIOR 125 - BT125T-12C

F13 Driven Pulley Assy.

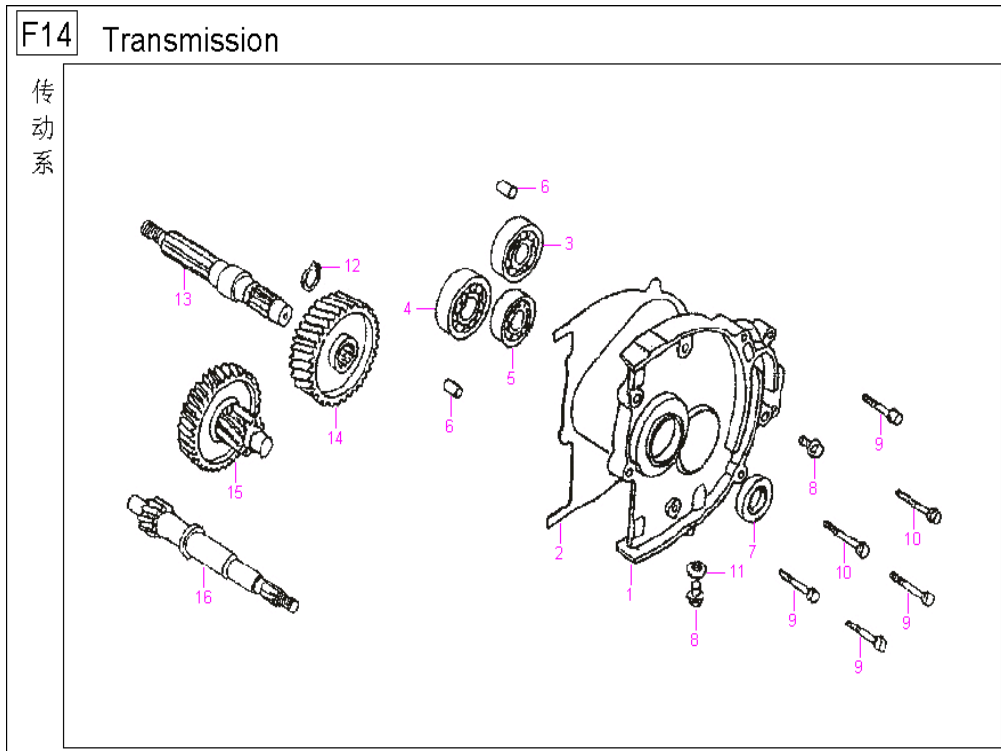
从动皮带轮组



F13 Driven Pulley Assy.

F13/1	114200-152QMI-0000	Pulley assy.,driven	1
F13/2	116320-152QMI-0000	Plate assy.,driver	1
F13/3	116410-152QMI-0000	Plate,driver	1
F13/4	116401-152QMI-0000	Rubber,clutch	3
F13/5	116402-152QMI-0000	Spring,clutch	3
F13/6	GB/T 896-1986	Circlip 5	3
F13/7	116403-152QMI-0000	Side plate,clutch	1
F13/8	116450-152QMI-0000	Weight set,clutch	1
F13/9	114300-152QMI-0000	Outer plat,clutch	1
F13/10	114204-152QMI-0000	Needle bearing 20*29*18	1
F13/11	GB/T 896-1986	Circlip 5	1
F13/12	GB/T 276-94	Bearing	1
F13/13	114210-152QMI-0000	Right comp.,driven	1
F13/14	114203-152QMI-0000	Seal 34*41*4	2
F13/15	116302-152QMI-0000	Guiding pin	1
F13/16	116303-152QMI-0000	Roller	1
F13/17	116440-152QMI-0000	Belt plate,driven	1
F13/18	GB3452.1	O-ring	2
F13/19	116404-152QMI-0000	Collar,seal	1
F13/20	114201-152QMI-0000	Spring,driver	1
F13/21	116406-152QMI-0000	Collar	1
F13/22	114205-152QMI-0000	Nut M28	1
F13/23	GB/T 97.1-1985	Washer 12	1
F13/24	GB/T 6177-1986	Nut M12	1
F13/25	116500-152QMI-0100	Belt ,driver	1

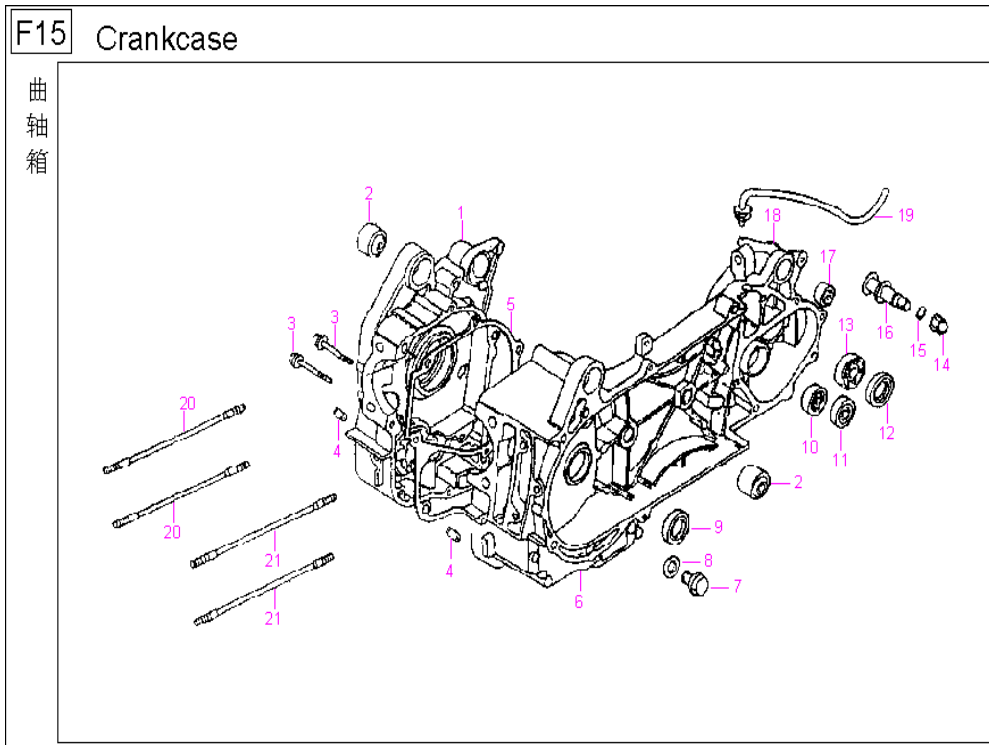
Baotian/Ering WARRIOR 125 - BT125T-12C



F14 Transmission

F14/1	115100-152QMI-0000	Rear transmission case assy.	1
F14/2	115005-152QMI-0000	Gasket, rear transmission case	1
F14/3	GB/T 276-1994	Bearing 6203	1
F14/4	GB/T 276-1994	Bearing 6204	1
F14/5	GB/T 276-1994	Bearing 6202	1
F14/6	103002-152QMI-0000	Dowel pin	2
F14/7	GB13871	Oil seal 20*32*6	1
F14/8	GB/T 5787-1986	Bolt M8*12	2
F14/9	GB/T 5787-1986	Bolt M6*28	4
F14/10	GB/T 5787-1986	Bolt M6*35	2
F14/11	GB/T 97.1-1985	Washer 8	1
F14/12	GB896-1986	Circlip 5	1
F14/13	115002-152QMI-0000	Output shaft	1
F14/14	115003-152QMI-0000	Output gear	1
F14/15	115010-152QMI-0000	Middle gear	1
F14/16	115001-152QMI-0000	Input shaft	1

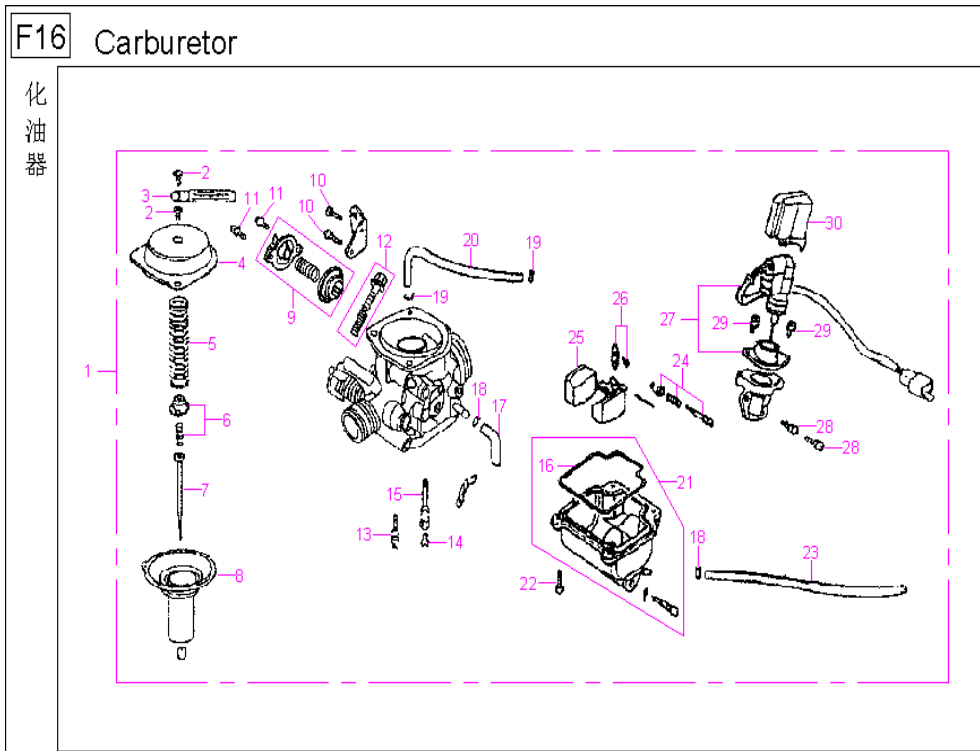
Baotian/Ering WARRIOR 125 - BT125T-12C



F15 Crankcase

F15/1	105100-152QMI-0000	Right crankcase assy.	1
F15/2	104120-152QMI-0000	Bush	2
F15/3	GB/T 5787-1986	Bolt M6*50	2
F15/4	103002-152QMI-0000	Dowel pin	2
F15/5	104002-152QMI-0000	Gasket,crankcase	1
F15/6	104100-152QMI-0000	Left crankcase assy.	1
F15/7	104004-152QMI-0000	Drain plug	1
F15/8	GB/T 97.1-1985	Washer 12	1
F15/9	GB13871-19.8*30*5	Oil seal 19.8*30*5	1
F15/10	GB13871-27*42*7	Oil seal 27*42*7	1
F15/11	GB/T 276-94	Bearing 6301	1
F15/12	GB/T 276-94	Bearing 6002	1
F15/13	GB/T 276-94	Bearing 6004-2RS	1
F15/14	GB/T 6177-1986	Nut M8	1
F15/15	GB3452.1	O-ring	1
F15/16	107102-152QMI-0000	Amounting shaft	1
F15/17	104130-152QMI-0000	Bush	1
F15/18	107110-152QMI-0000	Dust seal	1
F15/19	104010-152QMI-0000	Breather tube assy.	1
F15/20	105001-152QMI-0000	2-stud bolt M8*187	2
F15/21	104001-152QMI-0000	2-stud bolt M8*195	2

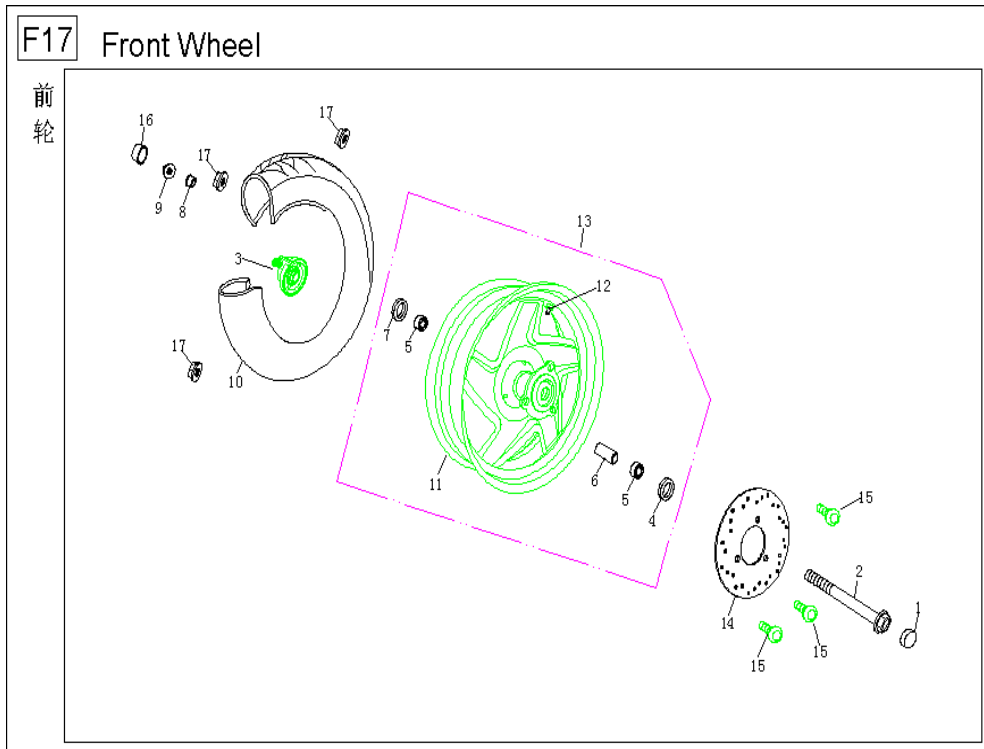
Baotian/Ering WARRIOR 125 - BT125T-12C



F16 Carburetor

F16/1	160000-152QMI-0000	Carburetor assy.	1
F16/2	GB/T 818-1985	Screw M4*8	2
F16/3	160101-152QMI-0000	Plate clip	1
F16/4	160102-152QMI-0000	Cap,vacuum piston valve	1
F16/5	160103-152QMI-0000	Spring	1
F16/6	160104-152QMI-0000	Plate set	1
F16/7	160200-152QMI-0000	Oil needle	1
F16/8	160105-152QMI-0000	Vacuum piston valve	1
F16/9	160300-152QMI-0000	Air block valve	1
F16/10	GB/T 818-1985	Screw M5*12	2
F16/11	GB/T 818-1985	Screw M4*10	2
F16/12	160900-152QMI-0000	Screw set A	1
F16/13	160001-152QMI-0000	Injecting nozzle 35#	1
F16/14	160002-152QMI-0000	Main injecting nozzle 112#	1
F16/15	160003-152QMI-0000	Base,oil needle	1
F16/16	160400-152QMI-0000	Gasket	1
F16/17	160004-152QMI-0000	Air tube	1
F16/18	160005-152QMI-0000	Tube clip	2
F16/19	160006-152QMI-0000	Tube	2
F16/20	160007-152QMI-0000	Rubber tube 3.5*210	1
F16/21	160500-152QMI-0000	Float chamber	1
F16/22	GB/T 818-1985	Screw M4*14	1
F16/23	160008-152QMI-0000	Overflow tube	1
F16/24	160600-152QMI-0000	Screw set B	1
F16/25	160700-152QMI-0000	Float canister assy	1
F16/26	160009-152QMI-0000	Float canister valve	1
F16/27	160800-152QMI-0000	Starting valve set	1
F16/28	GB/T 818-1985	Screw M5*12	2
F16/29	GB/T 818-1985	Screw M4*8	2
F16/30	160801-152QMI-0000	Cap,starting valve	1

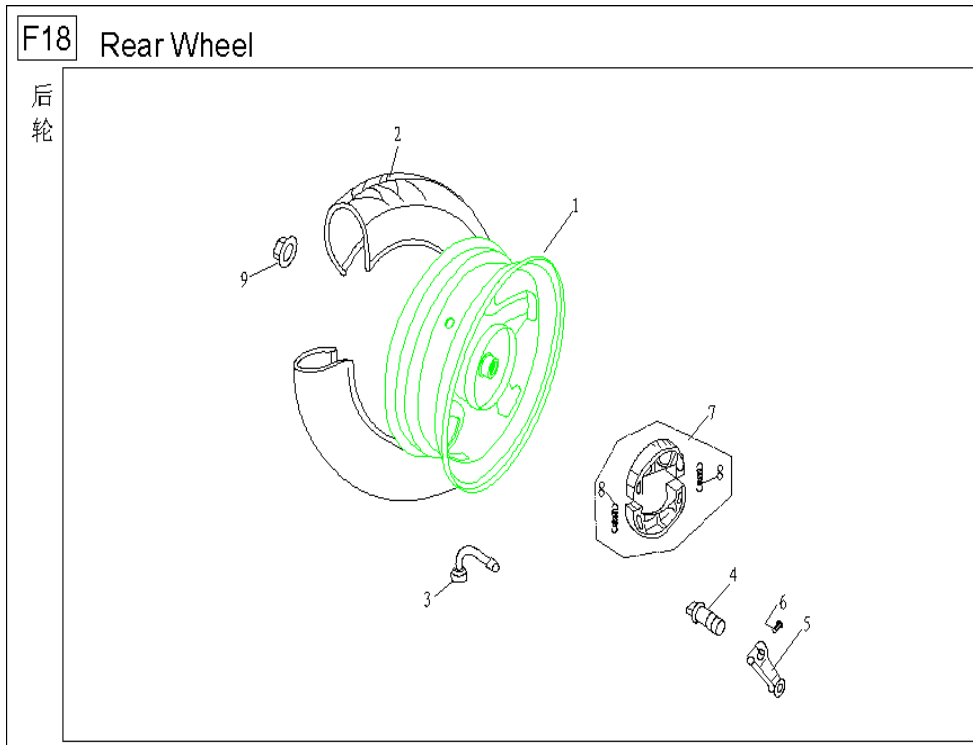
Baotian/Ering WARRIOR 125 - BT125T-12C



F17 Front wheel

F17/1	401005-TB9-000	Left rubber cap	1
F17/2	401003-TAC-000	Front wheel axle	1
F17/3	401200-TAC-000	Arithmometer assy.	1
F17/4	YF50*40*5	Dust seal,front wheel	1
F17/5	GB/T278	Bearing 6201	2
F17/6	401101-TAC-000	Central bush	1
F17/7	YF37*23*7	Dust seal	1
F17/8	401001-TAC-000	Right bush	1
F17/9	GB/T6187-1986	Nut M12*1.25	1
F17/10	GB2983-1997	Tyre 120/70-12	1
F17/11	GB2983-1997	Front rim MT3.5*J12	1
F17/12	401110-TAC-000	Valve	1
F17/13	401100-TAC-000	Front rim assy.	1
F17/14	404001-TAC-000	Brake disc	1
F17/15	404002-TAC-000	Bolt	3
F17/16	404002-TAC-000	Right rubber cap	1
F17/17	GB/T 6187-1986	Nut M10*1.25	3

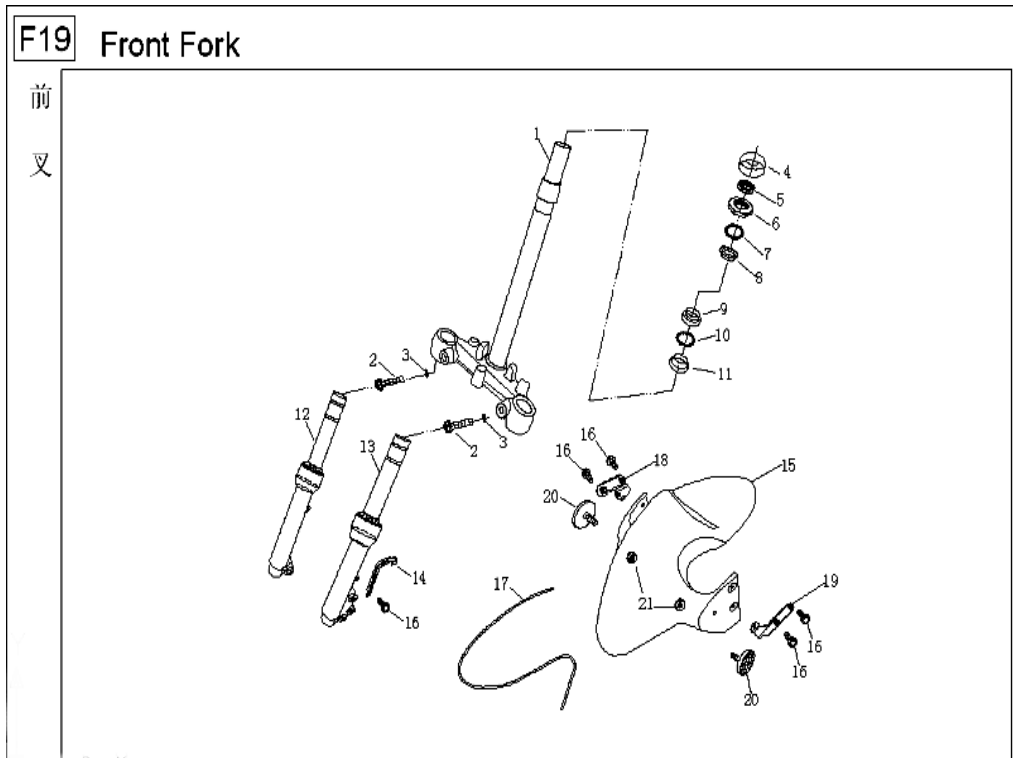
Baotian/Ering WARRIOR 125 - BT125T-12C



F18 Rear Wheel

F18/1	402110-TAC-000	Rear rim MT3.5*J12	1
F18/2	GB2983-1997	Tyre 130/70-12	1
F18/3	402010-TB9-000	Valve	1
F18/4	405001-TAC-000	Rear brake cam	1
F18/5	405010-TB9-000	Rear brake arm assy.	1
F18/6	GB/T5789-1986	Bolt M6*35	1
F18/7	405100-TAC-000	Brake shoe assy.	1
F18/8	405101-TAC-000	Rear brake shoe spring	2
F18/9	GB/T6187-1986	Nut M16*1.5	1

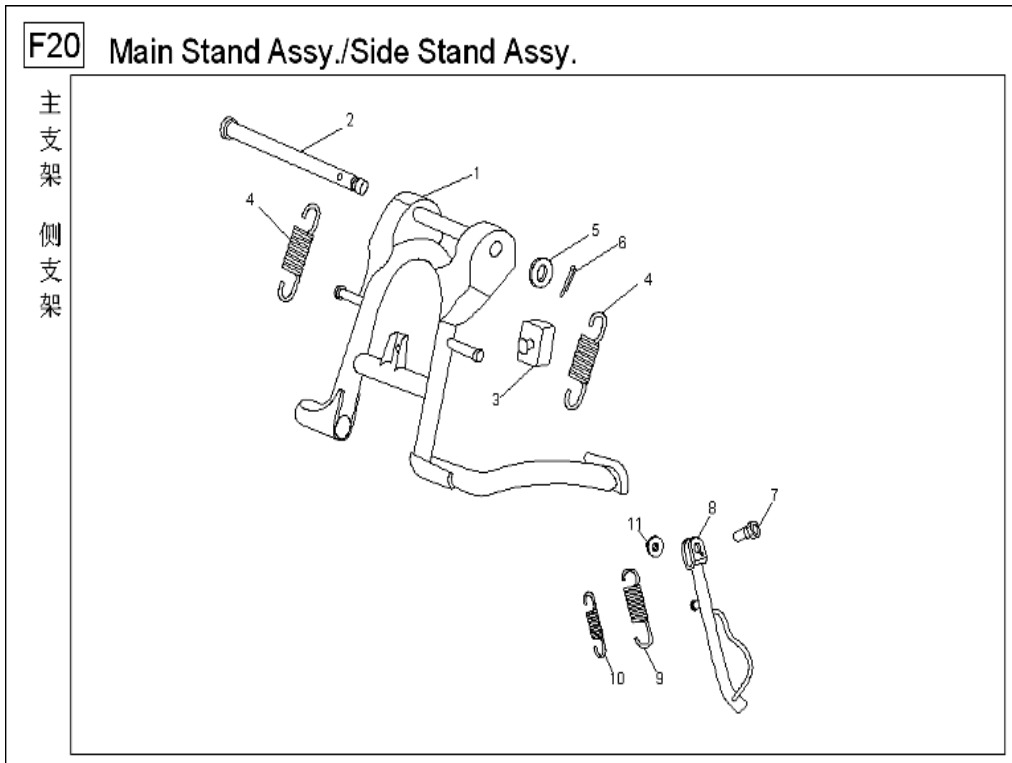
Baotian/Ering WARRIOR 125 - BT125T-12C



F19 Front Fork

F19/1	504100-TAC-000	Steering column welding assy.	1
F19/2	GB/T 5789-1986	Bolt M10*50	2
F19/3	504301-TAC-000	Spring washer	2
F19/4	504303-TAC-000	Dust seal	1
F19/5	504001-TAC-000	Lock nut	1
F19/6	504002-TAC-000	Upper bearing top	1
F19/7	504010-TAC-000	Upper ball assy.	1
F19/8	504003-TAC-000	Bottom bearing cup	1
F19/9	504004-TAC-000	Bottom bearing cup	1
F19/10	504020-TAC-000	Bottom ball assy.	1
F19/11	504005-TAC-000	Bottom bearing top	1
F19/12	504400-TAC-000	Front shock absorber,right	1
F19/13	504300-TAC-000	Front shock absorber,left	1
F19/14	604109-TAC-000	Clip	1
F19/15	604100-TAC-000	Front fender	1
F19/16	GB/T 5789-1986	Bolt M6*16	5
F19/17	604103-TAC-000	Rubber strip,front fender	1
F19/18	501010-TAC-000	Right bracket welding assy.,front fender	1
F19/19	501014-TAC-000	Left bracket ,front fender	1
F19/20	325100-TB9-000	Side reflector	2
F19/21	GB/T6177-1985	Nut M6	2

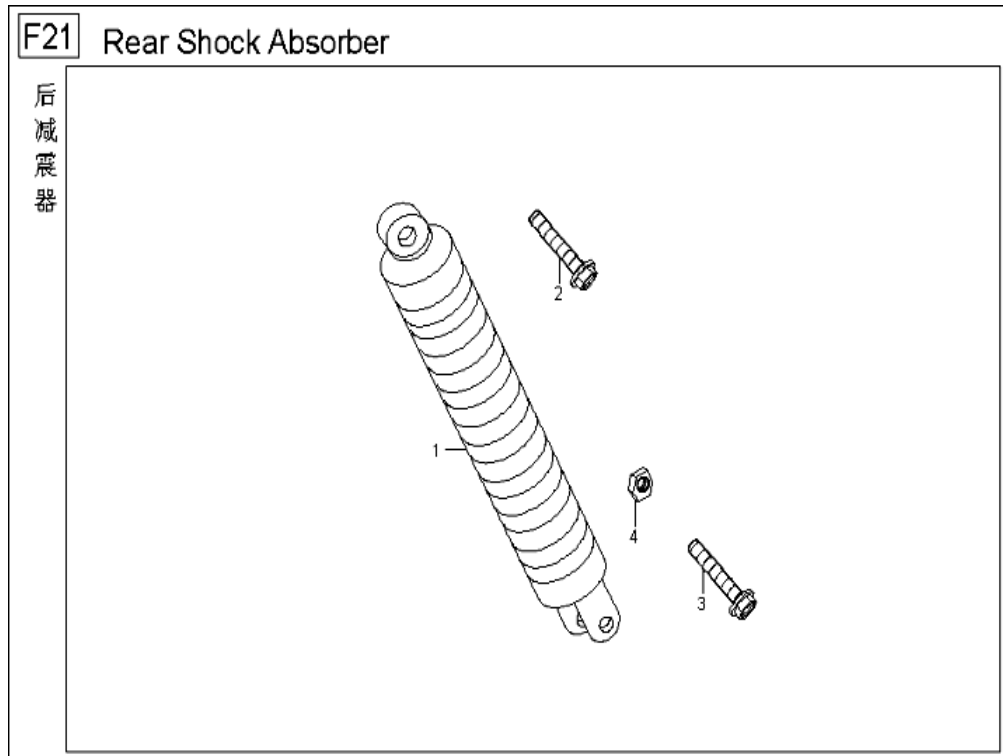
Baotian/Ering *WARRIOR 125 - BT125T-12C*



F20 Main Stand Assy./ Side Stand Assy.

F20/1	501210-TAC-000	Main stand assy.	1
F20/2	501201-TB9-000	Axle,main stand	1
F20/3	501202-TB9-000	Rubber,main stand	1
F20/4	501204-TB9-000	Spring,main stand	2
F20/5	GB/T 97.1-1985	Washer ϕ 8	1
F20/6	GB/T 91-1986	Cotter pin 1.5x24	1
F20/7	501301-TAC-000	Bolt,side stand	1
F20/8	501310-TAC-000	Side stand assy.	1
F20/9	501302-TAC-000	Spring A,side stand	1
F20/10	501303-TAC-000	Spring B,side stand	1
F20/11	501303-TAC-000	Nut M8x1.25	1

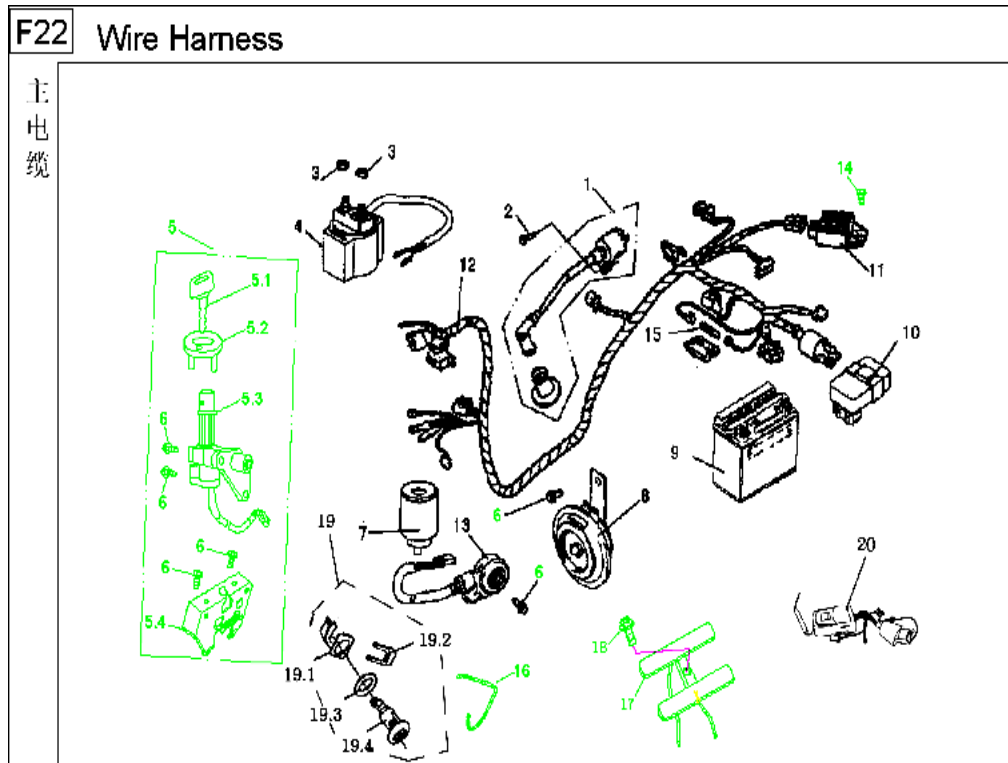
Baotian/Ering *WARRIOR 125* - BT125T-12C



F21 Rear Shock Absorber

F21/1	521000-TAC-000	Rear shock absorber	2
F21/2	GB/T 5789-1986	Bolt M10*1.25*40	2
F21/3	GB/T 5789-1986	Bolt M8*35	2
F21/4	GB/T 6170-1986	Nut M8	2

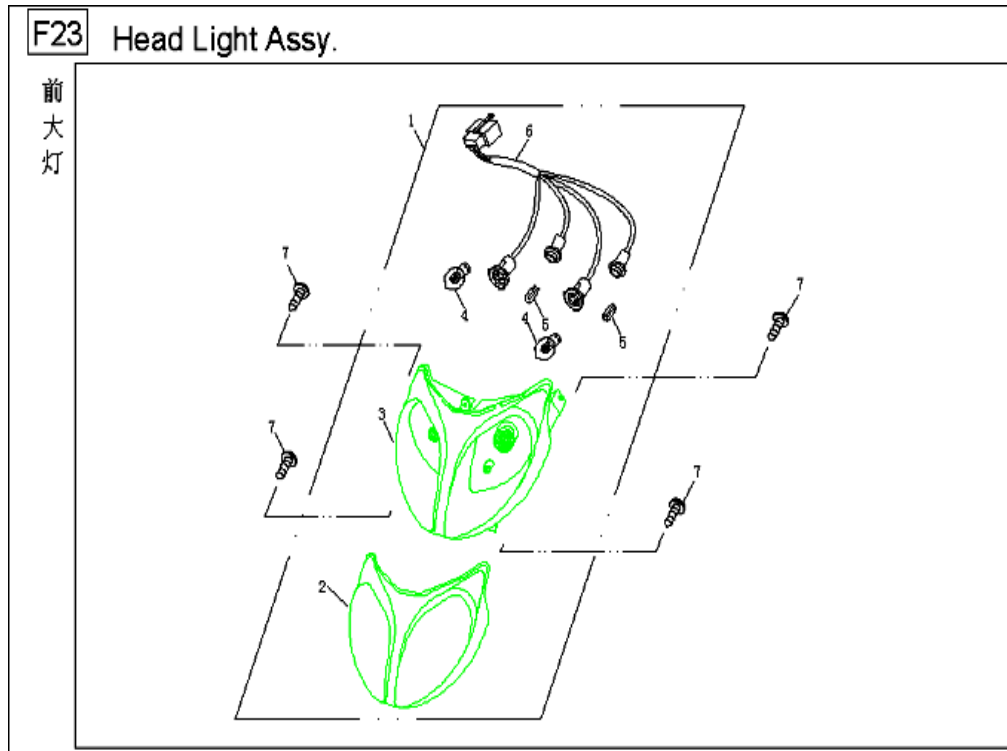
Baotian/Ering WARRIOR 125 - BT125T-12C



F22 Wire Harness

F22/1	301200-TB9-000	Ignition coil	1
F22/2	GB/T 818-1985	Screw M5*16	1
F22/3	GB/T 6177-1986	Nut M6	2
F22/4	301400-TB9-000	Start relay	1
F22/5	350000-TAC-000	Lock assy.	1
F22/5.1	350120-TAC-000	Key	1
F22/5.2	350101-TAC-000	Ignition switch lock cover	1
F22/5.3	350110-TAC-000	Ignition switch lock	1
F22/5.4	350420-TAC-000	Seat lock	1
F22/6	GB/T 5789-1986	Bolt M6*16	6
F22/7	301500-TB9-000	Flasher	1
F22/8	302000-TB9-000	Horn	1
F22/9	305000-TA7-000	Battery	1
F22/10	301100-TB9-000	Electric ignition assy.	1
F22/11	301300-TB9-000	Rectifier	1
F22/12	304100-TAC-000	Wiring assy.	1
F22/13	330600-TB9-000	Off switch assy.	1
F22/14	GB/T 5789-1986	Bolt M6*12	1
F22/15	304110-TAC-000	Fuse	1
F22/16	350430-TAC-000	Cable,seat lock	1
F22/17	361600-TAC-000	Seat lock	1
F22/18	GB/T 5789-1986	Cable,seat lock	1
F22/19	070100-TAC-000	Seat Lock Assy.	1
F22/19.1	070106-TAC-000	Spring Seat Lock	1
F22/19.2	070104-TAC-000	Cushion Lock Assembling Frame	1
F22/19.3	070105-TAC-000	Rubber Ring	1
F22/19.4	070103-TAC-000	Cushion Lock Assy	1
F22/20	070110-TAC-000	Remote control Comp.	1

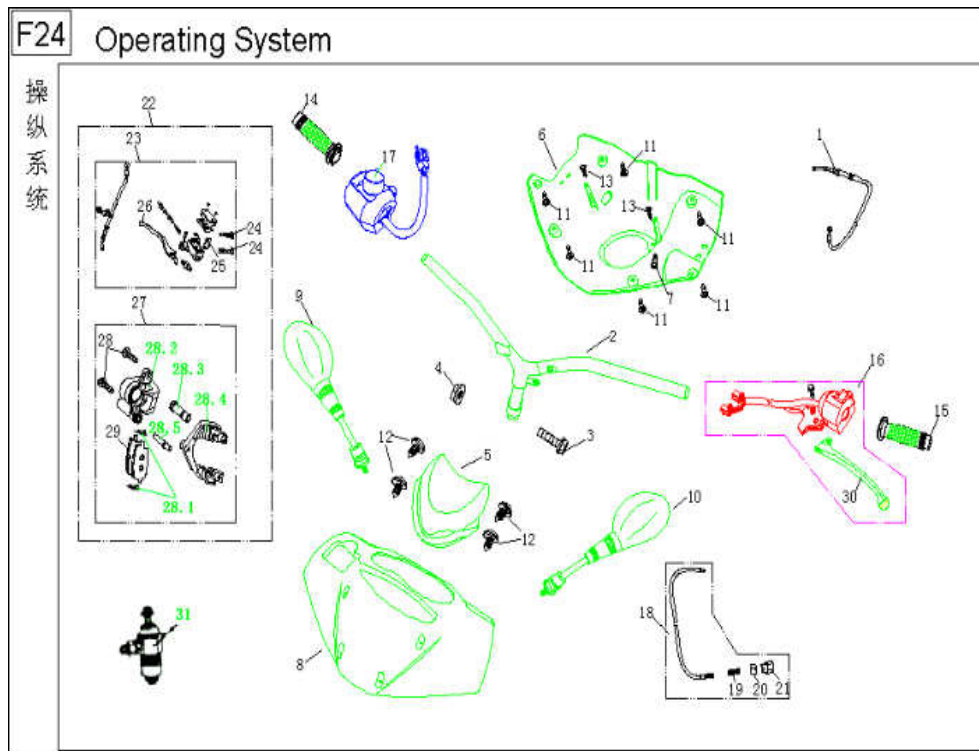
Baotian/Ering *WARRIOR 125 - BT125T-12C*



F23 Head Light Assy.

F23/1	320000-TAC-000	Head light assy.	1
F23/2	320131-TAC-000	Head light lampshade	1
F23/3	320140-TAC-000	Head light base	1
F23/4	320110-TAC-000	Head light bulb	1
F23/5	320310-TAC-000	Position light bulb	1
F23/6	320160-TAC-000	Head light cable	1
F23/7	GB/T845-1985	Screw tapping ST4.2*13	4

Baotian/Ering WARRIOR 125 - BT125T-12C



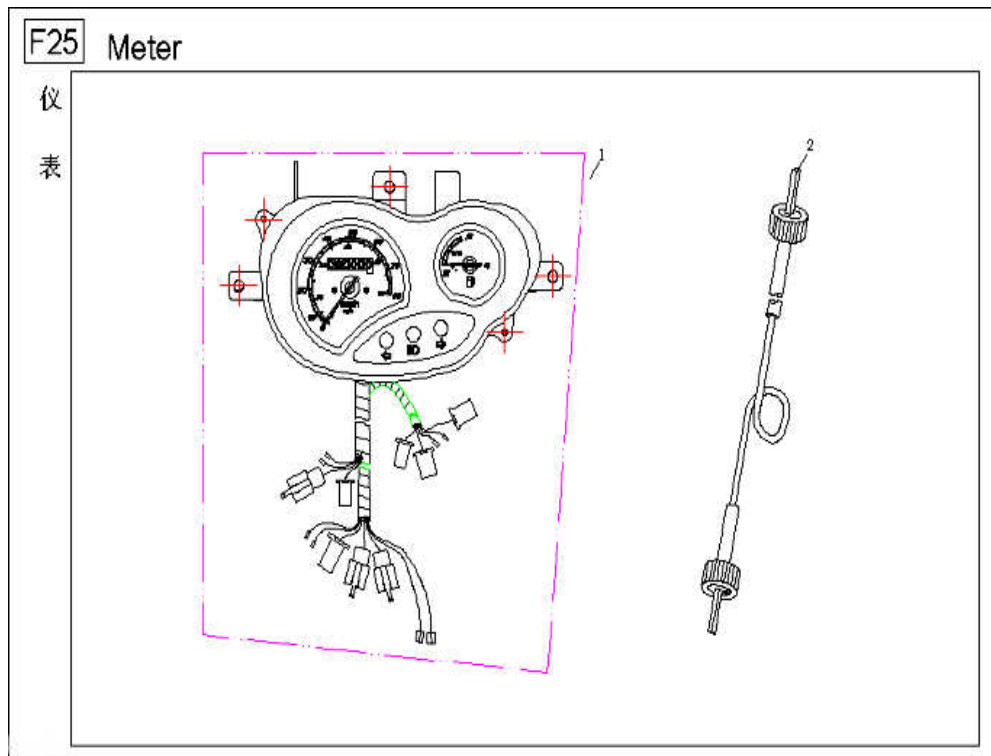
F24 Operating System

F24/1	540400-TAC-000	Throttle link assy.	1
F24/2	505100-TAC-000	Direction handlebar assy.	1
F24/3	GB/T 5789-1986	Bolt M10*1.25*50	1
F24/4	GB/T 5789-1986	Nut M10*1.25	1
F24/5	606000-TAC-000	Windshield	1
F24/6	601102-TAC-000	Rear part,head cover	1
F24/7	GB/818-1985	Bolt M5*12	1
F24/8	601101-TAC-000	Front part,head cover	1
F24/9	610200-TAC-000	Rear-view mirror comp,right	1
F24/10	610100-TAC-000	Rear-view mirror comp,left	1
F24/11	GB/T845-1985	Screw tapping ST4.2*13	1
F24/12	GB/T845-1985	Screw tapping ST4.2*10	6
F24/13	GB/T845-1985	Screw tapping ST4.2*16	4
F24/14	530400-TAC-000	Greaser assy.	2
F24/15	530300-TAC-000	Left grip assy.	1
F24/16	330100-TAC-000	L.handle switch assy.	1
F24/17	330200-TAC-000	R.handle switch assy.	1
F24/18	540210-TAC-000	Rear brake link assy.	1
F24/19	540201-TAC-000	Spring	1
F24/20	540202-TAC-000	Joint	1
F24/21	540203-TAC-000	Adjusting nut	1
F24/22	404000-TAC-000	Disk brake assy (fr.)	1
F24/23	404100-TAC-000	Master cylinder assy.	1
F24/24	GB/T5789-1986	Bolt M6*22	2
F24/25	404101-TAC-000	Master cylinder stator	1
F24/26	530201-TAC-000	Front brake lever	1
F24/27	404200-TAC-000	Caliper assy. (fr.)	1
F24/28	GB/T5789-1986	Bolt M8*30	1
F24/29	404210-TAC-000	Brake shoe assy. (fr.)	1
F24/30	530101-TAC-000	Rear brake lever	2

Baotian/Ering *WARRIOR 125* - BT125T-12C

F24/31	404400-TA9-001	ABS	

Baotian/Ering *WARRIOR 125 - BT125T-12C*



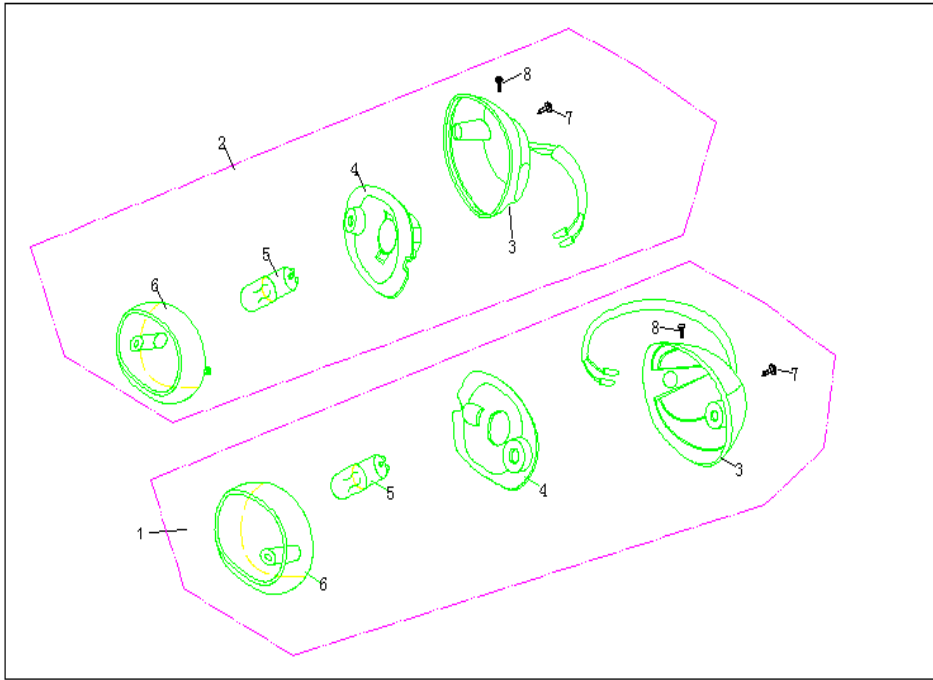
F25 Meter Assy.

F25/1	340000-TAC-000	Meter assy.	1
F25/2	541100-TAC-000	Odometer cable	1

Baotian/Ering WARRIOR 125 - BT125T-12C

F26 Front Turning Light

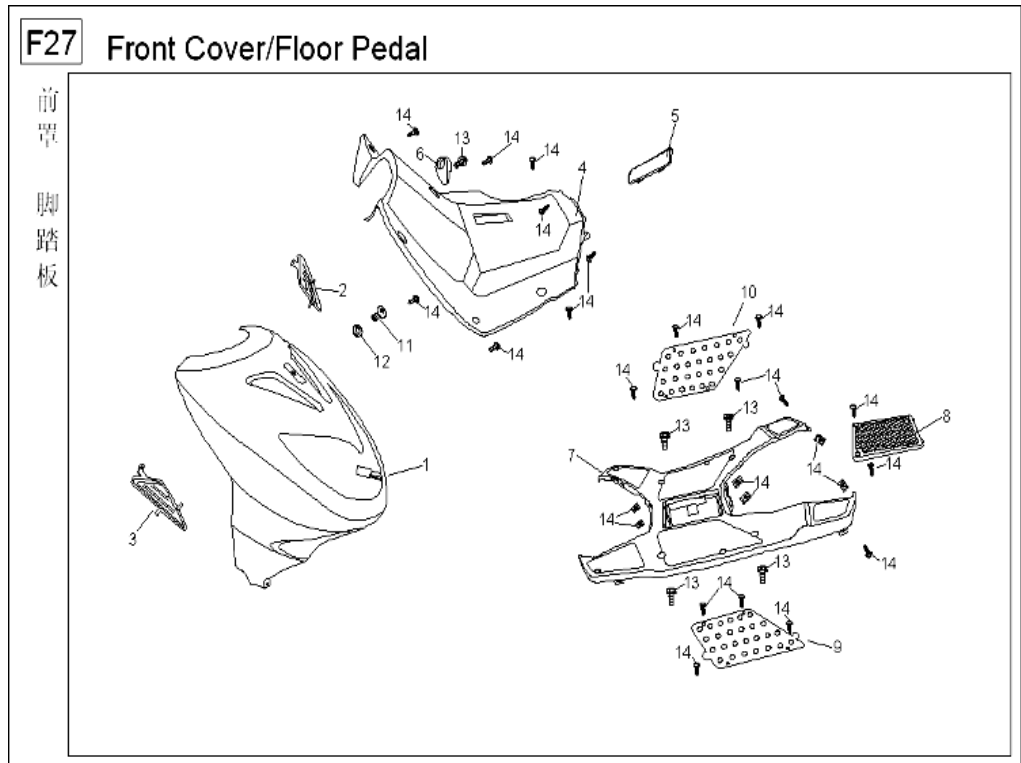
前
转
向
灯



F26 Front Turning Light

F26/1	322100-TAC-000	Front turning light assy. (L.)	1
F26/2	322200-TAC-000	Front turning light assy. (R.)	1
F26/3	322140-TAC-000	Front turning light base	2
F26/4	322120-TAC-000	Front turning light socket	2
F26/5	322110-TAC-000	Front turning light bulb	2
F26/6	322131-TAC-000	Front turning light lampshade	2
F26/7	GB/T845-1985	Screw tapping ST3.9*16	2
F26/8	GB/T818-1985	Bolt M5*12	2

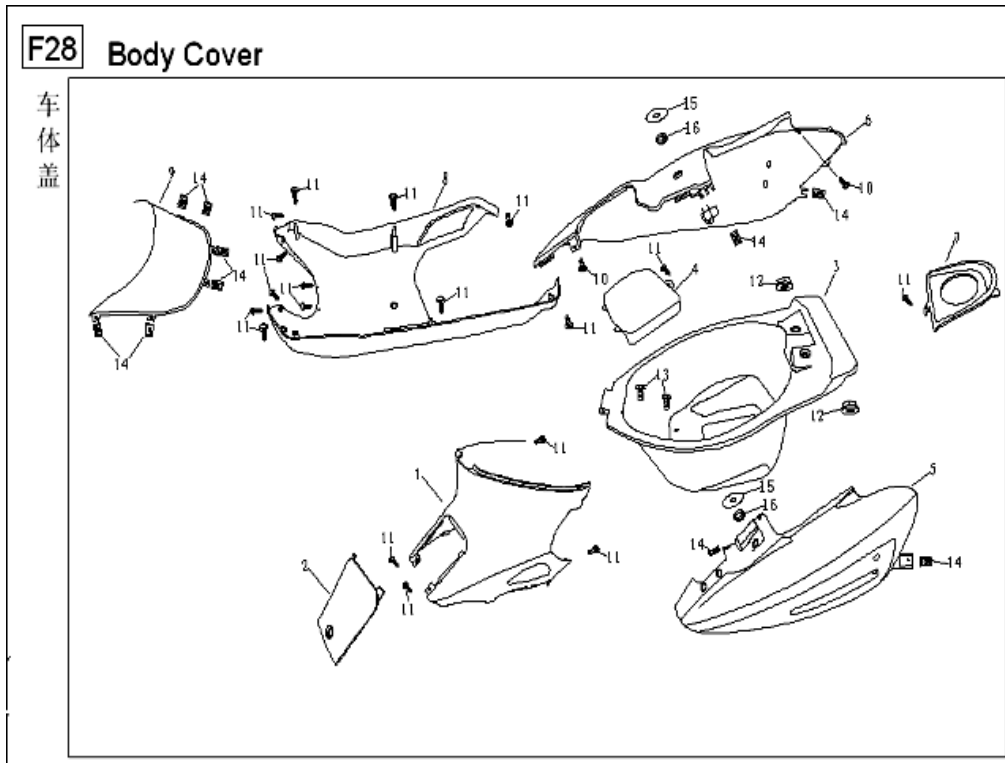
Baotian/Ering WARRIOR 125 - BT125T-12C



F27 Front Cover / Floor Pedal

F27/1	601103-TAC-000	Front cover	1
F27/2	60110B-TAC-000	Decorative part,front cover (L)	1
F27/3	60110C-TAC-000	Decorative part,front cover (R)	1
F27/4	601301-TAC-000	Fr.luggage box assy.	1
F27/5	601303-TAC-000	Frame number observing board	1
F27/6	601504-TAC-000	Hook,helmet	1
F27/7	601401-TAC-000	Pedal	1
F27/8	601403-TAC-000	Battery box cover	1
F27/9	60141A-TAC-000	Pedal assy.(L)	1
F27/10	60141B-TAC-000	Pedal assy.(R)	1
F27/11	604107-TAC-000	Bolt M6*16	1
F27/12	601105-TAC-000	Rubber washer	1
F27/13	GB/T5789-1986	Bolt M6*12	5
F27/14	GB/T845-1985	Screw tapping ST4.2*16	20
F27/15	821042	Clip ST4.2	6

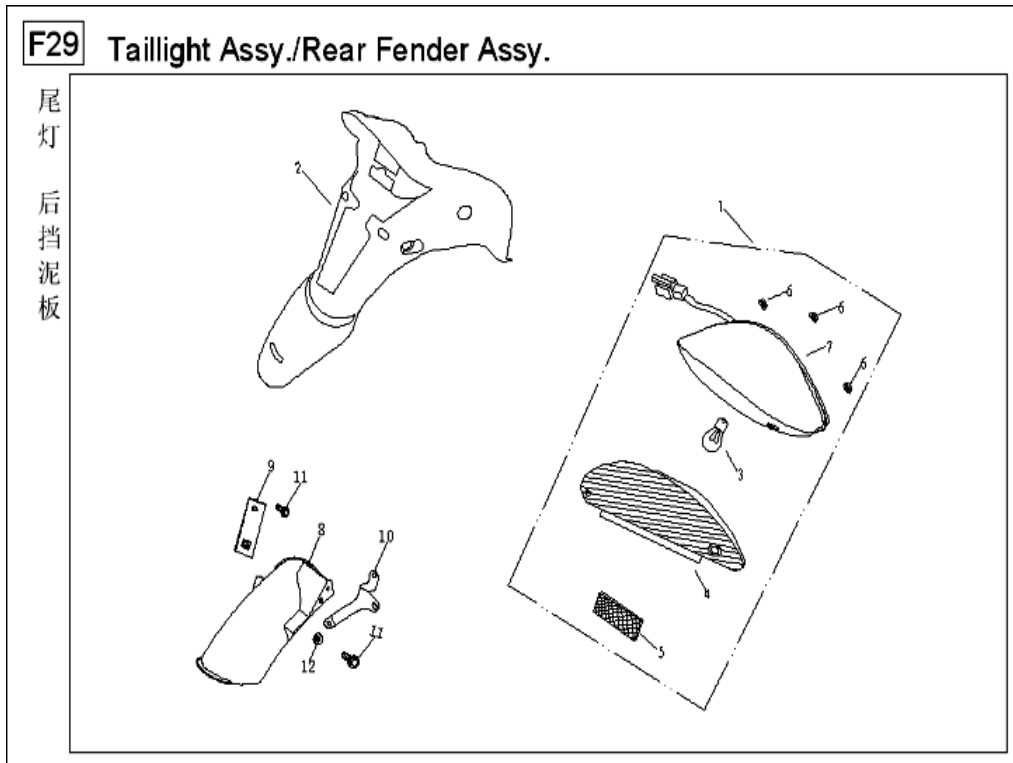
Baotian/Ering WARRIOR 125 - BT125T-12C



F28 Body Cover

F28/1	601503-TAC-000	Center cover	1
F28/2	601506-TAC-000	Small cover,center cover	1
F28/3	601501-TAC-000	Luggage box	1
F28/4	601502-TAC-000	Inner cover,luggage box	1
F28/5	601605-TAC-000	Rear fender apron (L.)	1
F28/6	601606-TAC-000	Rear fender apron (R.)	1
F28/7	601203-TAC-000	Rear center cover	1
F28/8	601603-TAC-000	Rear middle fender apron	1
F28/9	601609-TAC-000	Front middle fender apron	1
F28/10	GB/T845-1985	Screw tapping ST4.2*13	2
F28/11	GB/T845-1985	Screw tapping ST4.2*16	18
F28/12	GB/T6177-1986	Nut M6	2
F28/13	GB/T5789-1986	Bolt M6*16	2
F28/14	821042	Clip ST4.2	10
F28/15	515221-TAC-000	Washer	2
F28/16	601105-TAC-000	Rubber washer	2

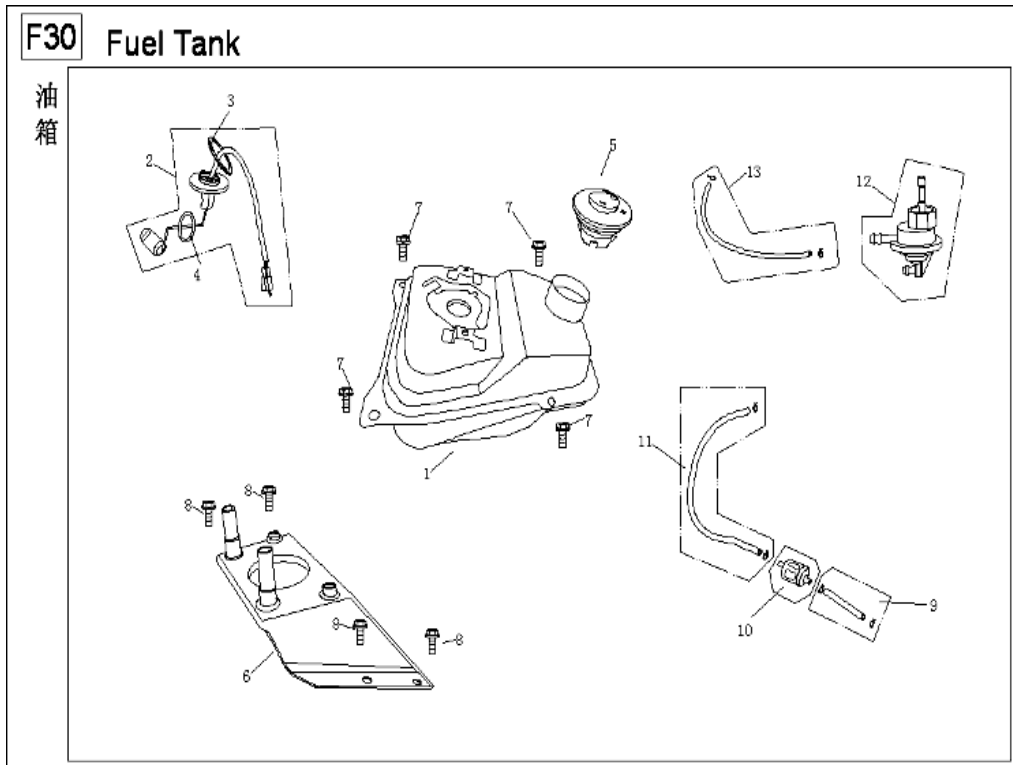
Baotian/Ering WARRIOR 125 - BT125T-12C



F29 Taillight Assy. / Rear Fender Assy.

F29/1	321100-TAC-000	Taillight assy.	1
F29/2	604210-TAC-000	Rear fender	1
F29/3	321110-TAC-000	Bulb,taillight	1
F29/4	321131-TAC-000	Lampshade,taillight	1
F29/5	GB/T6177-1986	Rear reflector	1
F29/6	GB/T6177-1986	Nut M6	3
F29/7	321120-TAC-000	Base,taillight	1
F29/8	604206-TAC-000	Small fender	1
F29/9	501009-TAC-000	Left bracket,small fender	1
F29/10	50100A-TAC-000	Rear bracket,small fender	1
F29/11	GB/T5789-1986	Bolt M6*12	2
F29/12	GB/T6177-1986	Nut M6	1

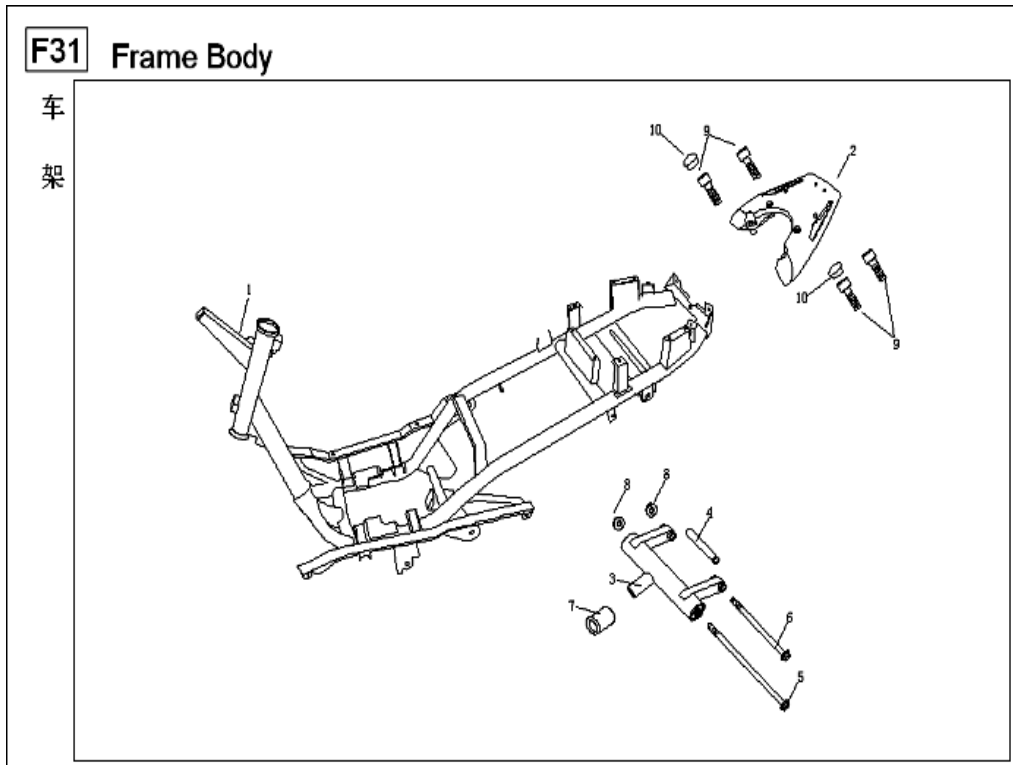
Baotian/Ering WARRIOR 125 - BT125T-12C



F30 Fuel Tank

F30/1	515010-TAC-000	Fuel tank welding assy.	1
F30/2	515200-TAC-000	Fuel transducer	1
F30/3	515202-TAC-000	Transducer cover	1
F30/4	515201-TAC-000	Rubber ring	1
F30/5	350300-TAC-000	Fuel tank lock assy.	1
F30/6	5010A1-TAC-000	Assembling board welding assy.,fuel tank	1
F30/7	GB/T5789-1986	Bolt M6*12	4
F30/8	GB/T5789-1986	Bolt M8*12	4
F30/9	515130-TAC-000	Tube A	1
F30/10	515120-TAC-000	Fuel filter	1
F30/11	515140-TAC-000	Tube B	1
F30/12	515110-TAC-000	Fuel switch assy.	1
F30/13	515150-TAC-000	Tube,negative pressure	1

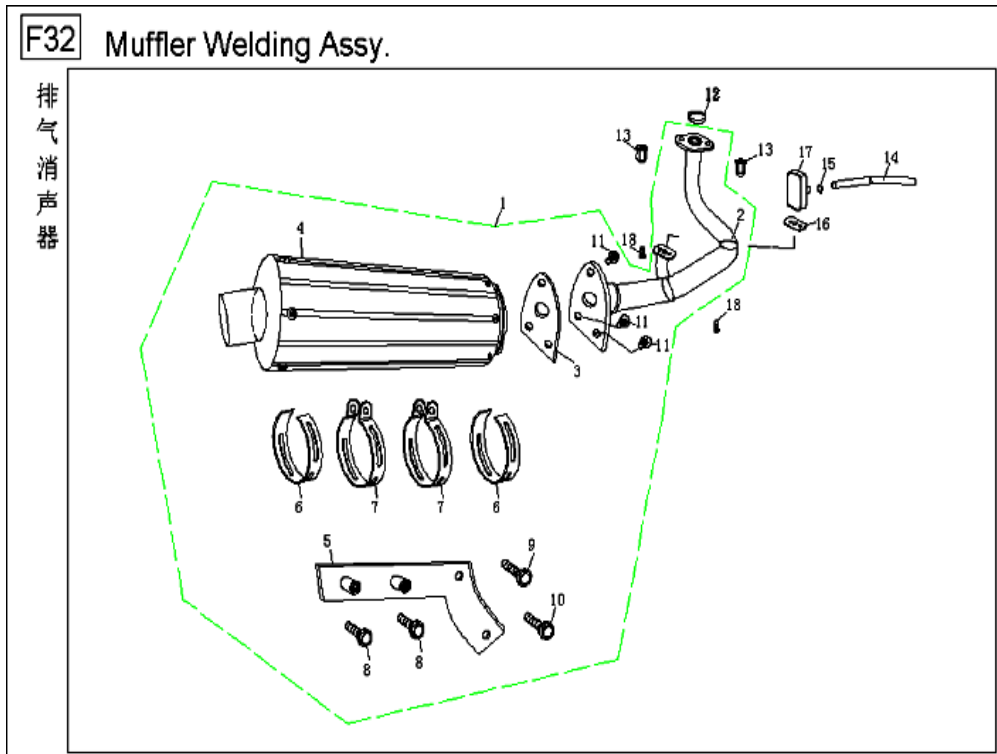
Baotian/Ering WARRIOR 125 - BT125T-12C



F31 Frame Body

F31/1	501100-TAC-000	Frame welding assy.	1
F31/2	506310-TAC-000	Bracket,carrier	1
F31/3	501710-TAC-000	Engine hanging rack welding assy.	1
F31/4	501702-TAC-000	Middle bush	1
F31/5	501703-TAC-000	Assembling axis,engine hanging rack	1
F31/6	501704-TAC-000	Assembling axis,engine	1
F31/7	501701-TAC-000	Rubber,hanging rack welding assy.	1
F31/8	GB/T6177-1986	Nut M10*1.25	2
F31/9	GB/T70-1985	Bolt M8*30	4
F31/10	506301-TAC-000	Cap,carrier	2

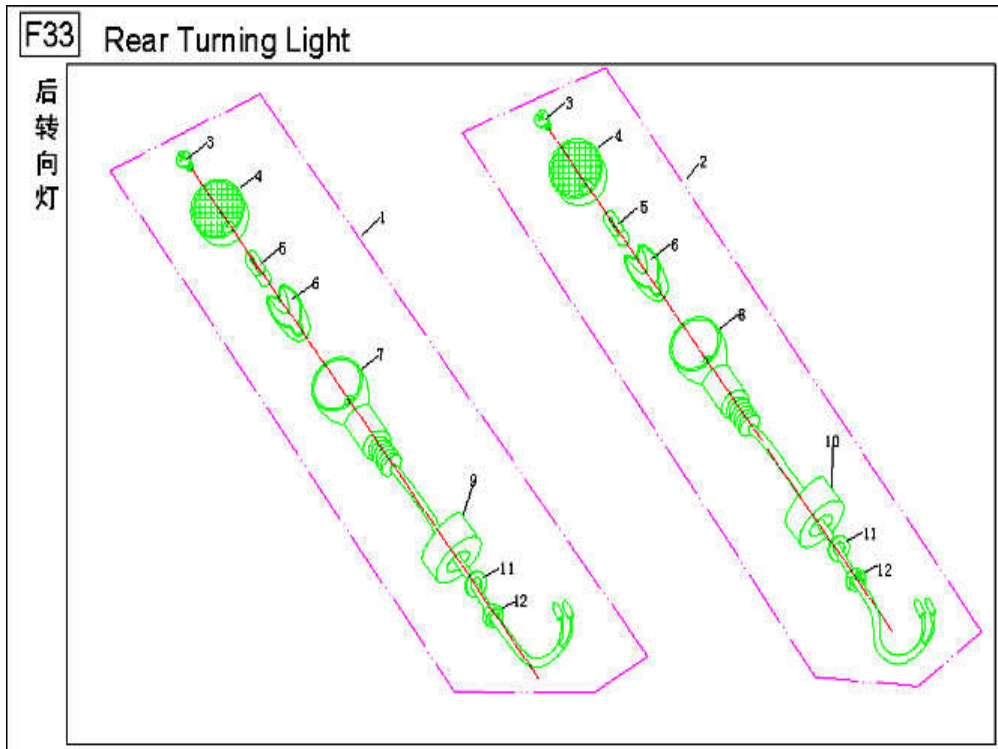
Baotian/Ering WARRIOR 125 - BT125T-12C



F32 Muffler Welding Assy.

F32/1	182100-TAC-000	Muffler welding assy.	1
F32/2	182110-TAC-000	Front body,muffler welding assy.	1
F32/3	182140-TAC-000	Paper gasket	1
F32/4	182120-TAC-000	Rear body,muffler welding assy.	1
F32/5	182130-TAC-000	Fixing board	1
F32/6	182102-TAC-000	Fixing rubber	2
F32/7	182101-TAC-000	Fixing clip	2
F32/8	GB/T5789-1986	Bolt M8*30	2
F32/9	GB/T5789-1986	Bolt M8*35	1
F32/10	GB/T5789-1986	Bolt M8*45	1
F32/11	GB/T70-1985	Screw M8*20	3
F32/12	182010-TAC-000	Gasket	1
F32/13	GB/T923-1988	Nut M6*35	2
F32/14	182201-TAC-000	Tube	1
F32/15	182202-TAC-000	Clip tube	1
F32/16	182220-TAC-000	Gasket	1
F32/17	182210-TAC-000	Control valve	1
F32/18	GB/T818-1985	Screw M6*12	2

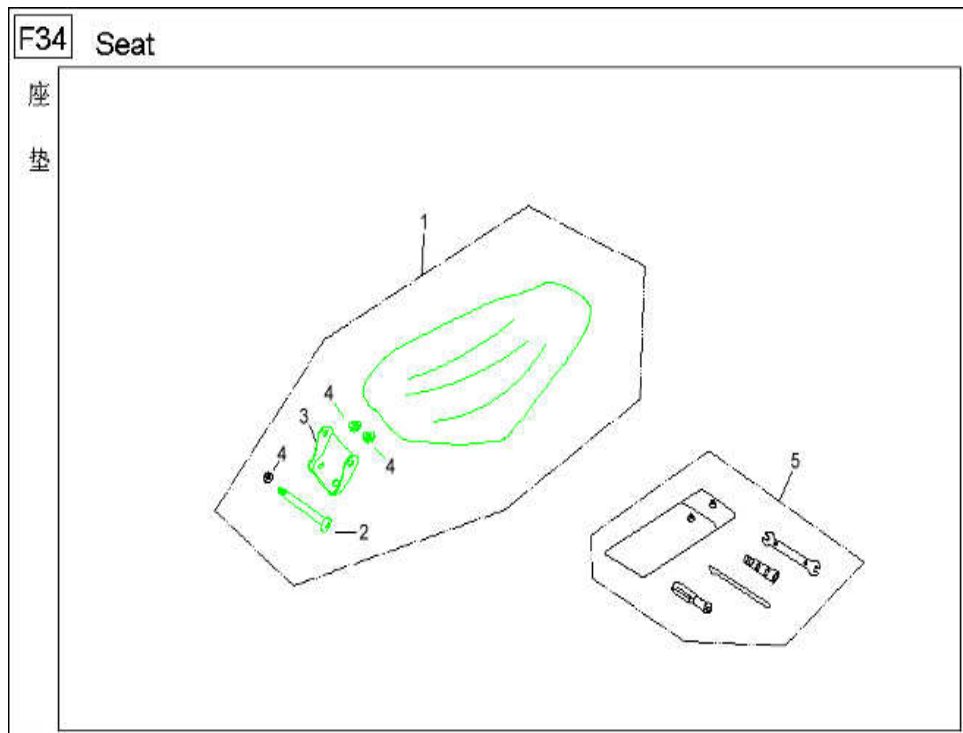
Baotian/Ering WARRIOR 125 - BT125T-12C



F33 Rear Turning Light

F33/1	323100-TAC-000	Rear turning light (L)	1
F33/2	323200-TAC-000	Rear turning light (R)	1
F33/3	GB/T5282-1985	Screw tapping ST3.9*16	2
F33/4	323131-TAC-000	Lens, rear turning light	2
F33/5	322110-TAC-000	Turning light bulb	2
F33/6	323120-TAC-000	Fixing socket, rear turning light	2
F33/7	323140-TAC-000	(L)Rear turning light shell	1
F33/8	323240-TAC-000	(R)Rear turning light shell	1
F33/9	323001-TAC-000	Rubber (L)	1
F33/10	323003-TAC-000	Rubber (R)	1
F33/11	GB96.1-02	Washer10	2
F33/12	GBT41-1986	Nut M10	2

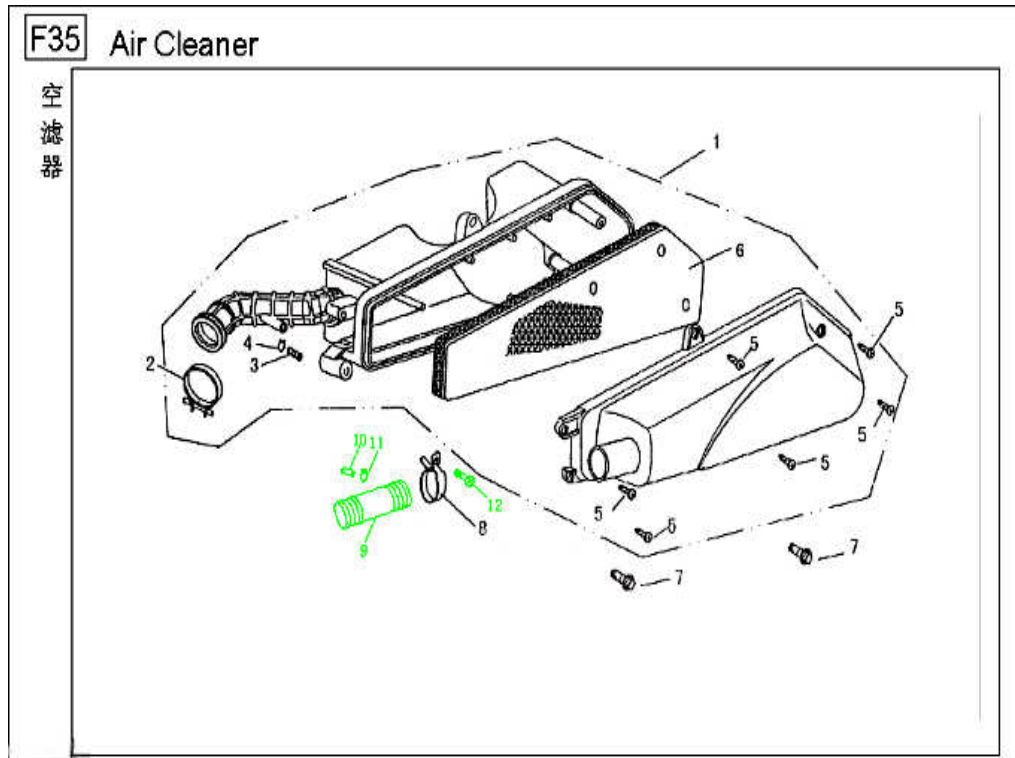
Baotian/Ering WARRIOR 125 - BT125T-12C



F34 Seat

F34/1	701000-TAC-000	Seat assy.	1
F34/2	701001-TAC-000	Shaft	1
F34/3	701002-TAC-000	Connecting board	1
F34/4	GB/T6177-1986	Nut M6	3
F34/5	801000-TAC-000	Tool set	1

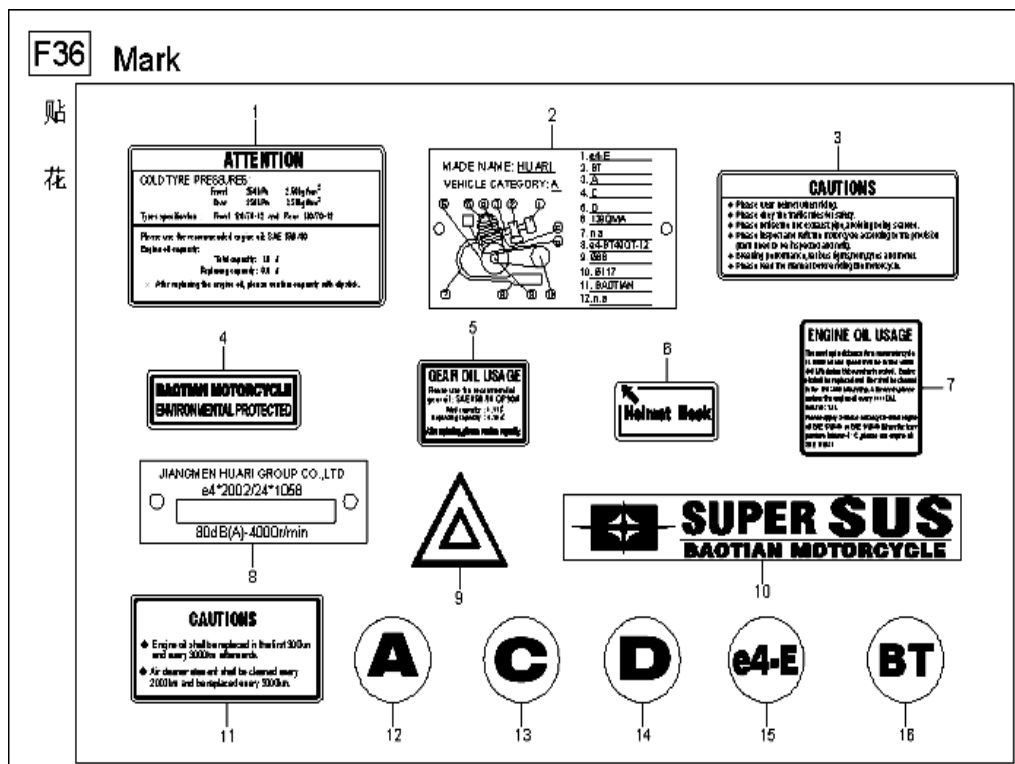
Baotian/Ering *WARRIOR 125 - BT125T-12C*



F35 Air Cleaner

F35/1	172100-TA2-000	Air cleaner crust assy.	1
F35/2	1724107-TA2-000	Clip,tube	1
F35/3	172402-TA2-000	Tube	1
F35/4	KH14*1.4	Clip,tube(A)	1
F35/5	GB845-86	Screw,tapping ST4.8*19	6
F35/6	172221-TA2-000	Air filter core	1
F35/7	GB5787-86	Bolt M6*30	2
F35/8	172310-TA2-000	Clip,inlet tube	1
F35/9	172301-TA2-000	Inlet tube	1
F35/10	172302-TBB-000	Tube connector	1
F35/11	KH14*1.2	Clip,tube	1
F35/12	GB818-86	Bolt M5*20	1

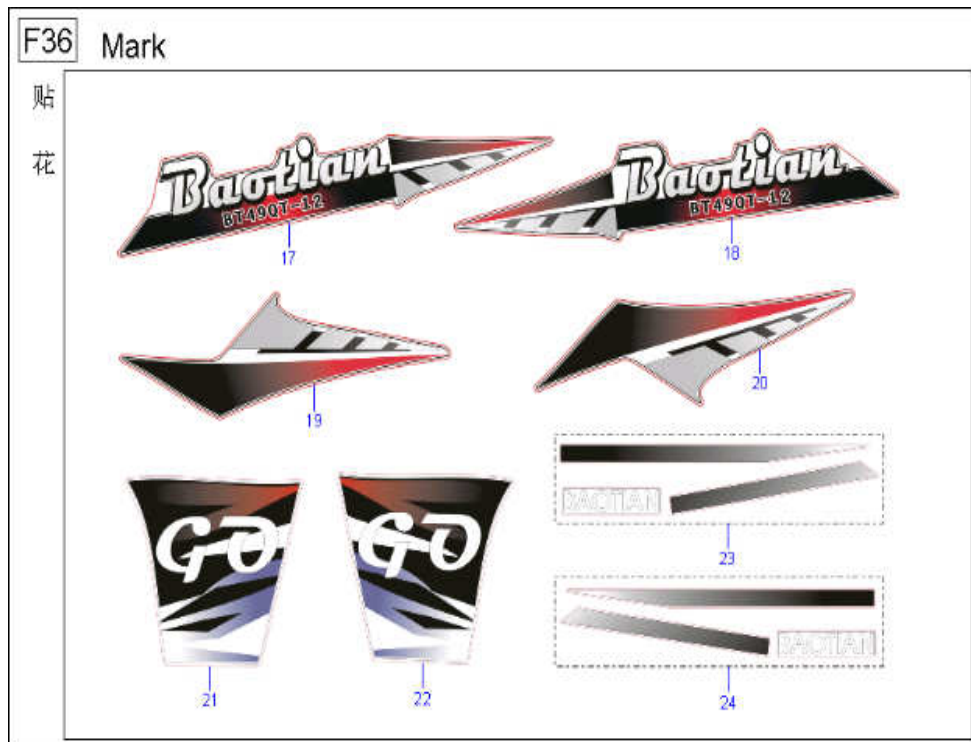
Baotian/Ering WARRIOR 125 - BT125T-12C



F36 Mark

F36/1	830301-TAC-000	Mark,central cover	1
F36/2	830108-TAC-000	Scutcheon,anti-tampering	1
F36/3	830304-TB9-000	Mark B,head cover	1
F36/4	830302-TB9-000	Mark A,head cover	1
F36/5	830306-TB9-000	Gear oil mark	1
F36/6	830307-TB9-000	Mark,helmet hook	1
F36/7	830307-TB9-000	Engine oil mark	1
F36/8	830101-TAC-000	Nameplate,main frame	1
F36/9	830316-TB9-000	Mark,triangle	1
F36/10	830213-TB9-000	Applique,front shock absorber	2
F36/11	830308-TB9-000	Air cleaner mark	1
F36/12	830309-TB9-000	Mark A	1
F36/13	830312-TB9-000	Mark C	1
F36/14	830313-TB9-000	Mark D	1
F36/15	830311-TB9-000	Mark e4-E	1
F36/16	830315-TB9-000	Mark BT	1

Baotian/Ering *WARRIOR 125* - BT125T-12C



F36 Mark

F36/17	830203-TAC-000	Applique,left cover	1
F36/18	830204-TAC-000	Applique,right cover	1
F36/19	830206-TAC-000	Upper applique,left,front cover	1
F36/20	830207-TAC-000	Upper applique,right,front cover	1
F36/21	830214-TAC-000	Nether applique,left,front cover	1
F36/22	830215-TAC-000	Nether applique,right,front cover	1
F36/23	830222-TAC-000	Applique,side board(L.)	1
F36/24	830223-TAC-000	Applique,side board(R.)	1