

MOTOR

- 1 Auspuff
- 2 Elektrik
- 3 Getriebe
- 4 Kolben, Kurbelwelle
- 5 Kühlung, Gebläse
- 6 Kupplung
- 7 Kurbelgehäuse
- 8 Lichtmaschine, Startermotor
- 9 Ölpumpe
- 10 Starter
- 11 Vergaser
- 12 Zylinder

COVERTEILE, LICHT,.....

- 1 Coverteile
- 2 Fußrasten, Rammschutz, Aufhängung
- 3 Hinterachse, Kette
- 4 Hinterbremse
- 5 Hinterreifen
- 6 Lenker
- 7 Lenkung, Gelenke
- 8 Rahmen
- 9 Rücklicht, Blinker hinten
- 10 Tank, Öltank
- 11 Vorderbremse
- 12 Vorderreifen, Stoßdämpfer
- 13 Luftfilter

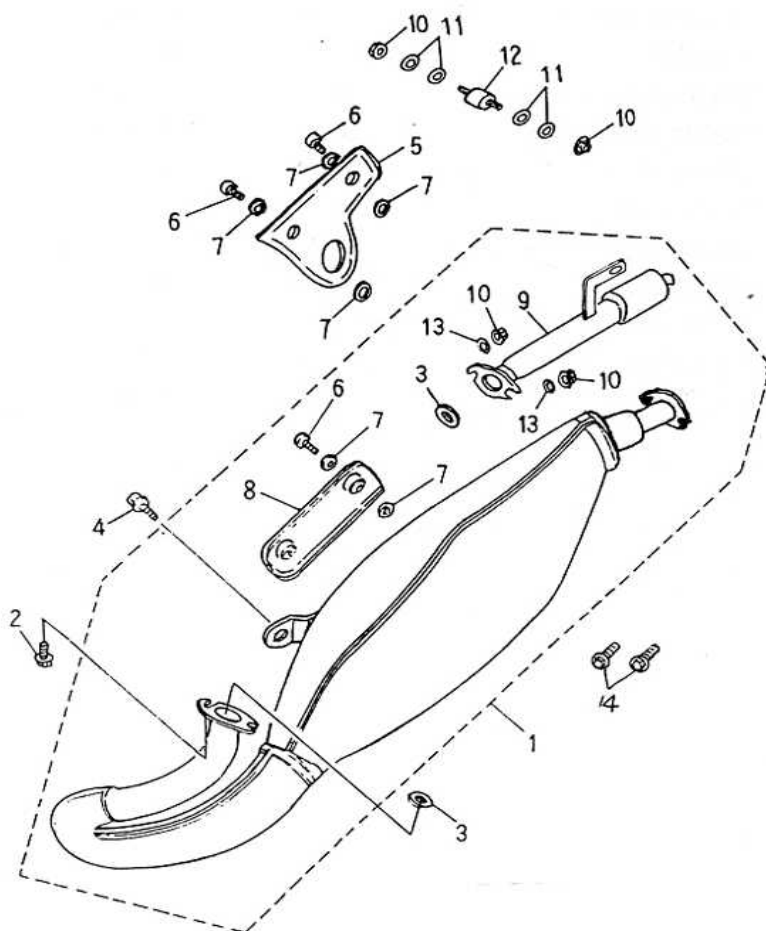
Mit Straßenverkehrszulassung



Zulassung für 1 Person

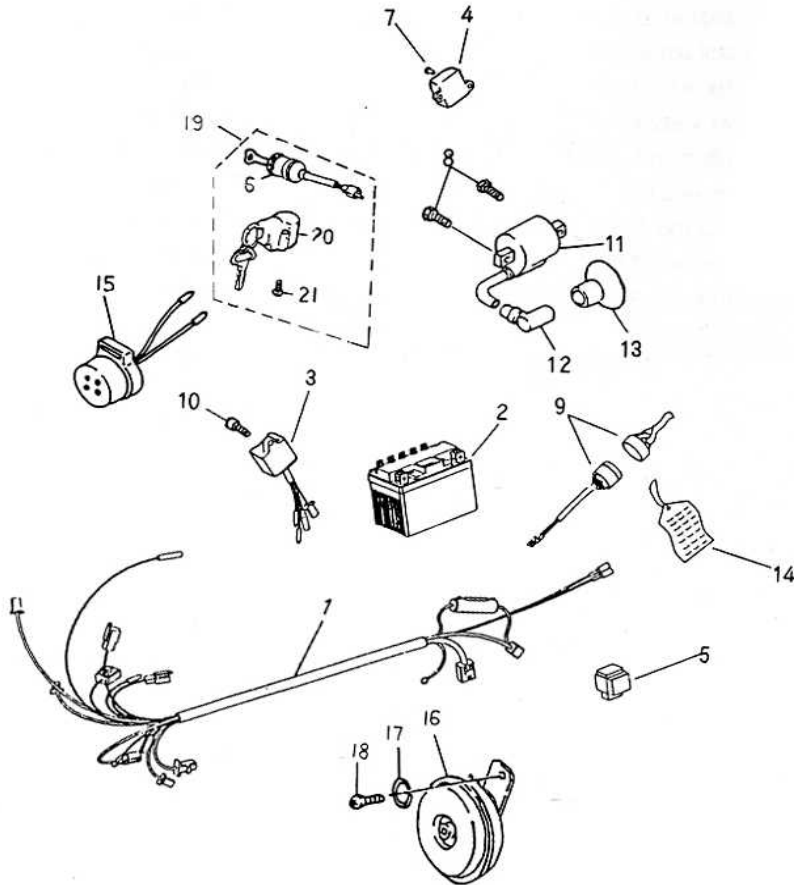
Keine Steuer!

Fahrerlaubnis mit Führerscheinklasse 3 oder den Klassen 5, 4, 2 und 1, deren Führerscheinerwerb vor dem 1.1.89 liegt.



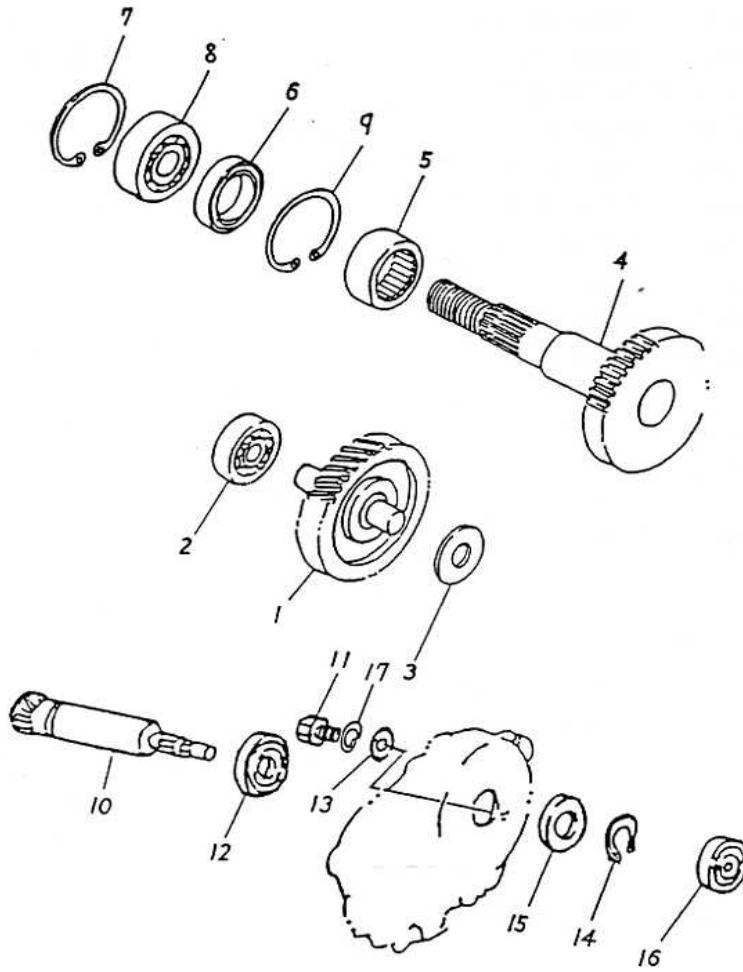
155-07A EXHAUST(HOMOLOGATION)

ITEM	PARTS NO.	PARTS NAME
1	18300-145-00A	W. CAT
2	92001-06018-10	HEX HEAD PHILLIPS BOLT 6*18
3	18291-104-000	EXHAUST PIPE GASKET
4	96000-08020-12G	HEX WASHER FACE BOLT 8*20
5	18301-145-000	INSULATOR
6	96000-06012-08	HEX WASHER FACE BOLT 6*12
7	18292-104-000	MUFFLER SHROUD PACKING 6mm
8	18318-145-000	MUFFLER SHROUD
9	18321-145-00A	SILENCER MUFFLER
10	94050-06000	HEX FLANGE NUT WITH SERRATION 6mm
11	94101-0619010	PLAIN WASHER 6*19*1
12	18305-145-000	RUBBER DAMPER
13	94101-0614020	PLAIN WASHER 6*14*2
14	96000-06025-10	HEX WASHER FACE BOLT 6*25



ELECTRICAL PARTS(HOMOLOGATION)

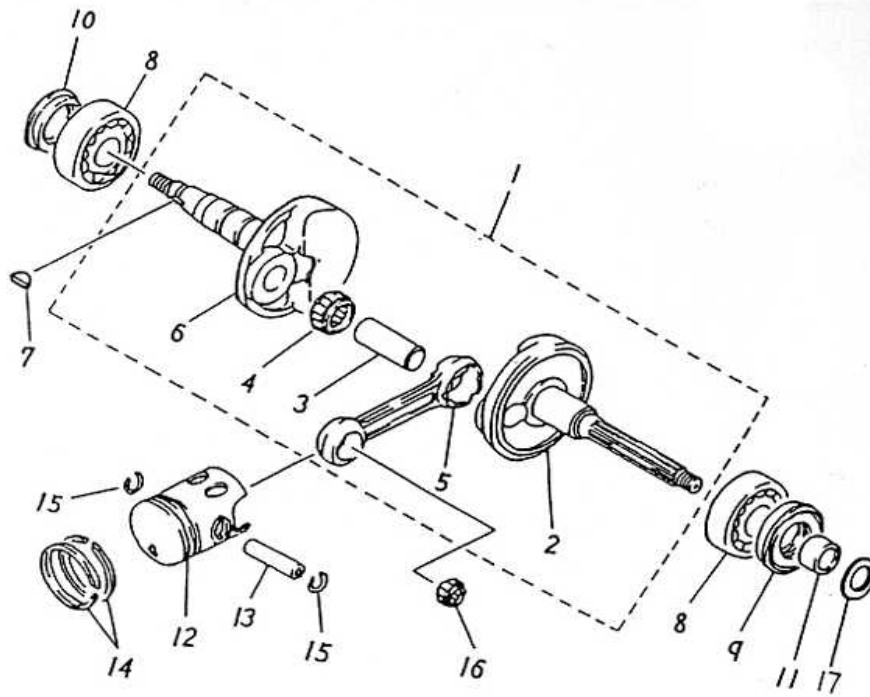
ITEM	PARTS NO.	PARTS NAME
1	32100-145-001	MAIN WIRE HARNESS
2	31500-116-000	BATTERY 12V
3	30410-116-000	C.D.I UNIT
4	31600-110-000	REGULATOR RECTIFIER
5	38501-105-000	STARTING RELAY
6	35100-145-001	MAIN SWITCH ASS'Y
7	93500-05012	PAN PHILLIPS BOLT 5*12
8	96000-06020-10	HEX WASHER FACE BOLT 6*20
9	31800-145-000	SAFETY SWITCH
10	93500-06015	PAN PHILLIPS BOLT 6*15
11	30510-116-000	HIGH TENSION COIL
12	30700-101-000	SPARK PLUG CAP
13	30605-116-000	RUBBER CAP
14	87707-145-000	SAFETY SWITCH WARNING TAG
15	38301-107-000	FLASHER RELAY 12V
16	38110-101-001	HORN (E-MARK) 12V
17	94111-0612015	SPRING WASHER 6*12*1.5
18	93500-06012	PAN PHILLIPS BOLT 6*12
19	35010-145-001	KEY SET
20	53600-128-000	STEERING HANDLE LOCK
21	93500-05010	PAN PHILLIPS BOLT 5*10



TRANSMISSION

ITEM	PARTS NO.	PARTS NAME	
1	23420-116-000	MAIN AXLE COMP	48/12T
2	96100-62010	RADIAL BALL BEARING	6201
3	94101-1229016	PLAIN WASHER	12.2*29*1.6
4	23430-116-000	DRIVE AXLE	36T
5	96200-253315	NEEDLE BEARING	HMK2515
6	96500-25356	OIL SEAL	25*35*6
7	94512-4300R	INTERNAL CIR CLIP	RTW-43
8	96100-6004U	RADIAL BALL BEARING	6004 LU
9	94512-3400R	INTERNAL CIR CLIP	RTW-34
10	23411-116-000	PRIMARY DRIVE GEAR	13T
11	92000-06010-10	HEX BOLT	6*10
12	96100-60030	RADIAL BALL BEARING	6003
13	94101-0620005	PLAIN WASHER	6*20*0.5
14	94511-1700S	EXTERNAL CIR CLIP	STW-17
15	96500-17285	OIL SEAL	17*28*5.5
16	96100-638RD	RADIAL BALL BEARING	638RD
17	94111-0612015	SPRING WASHER	6*12*1.5

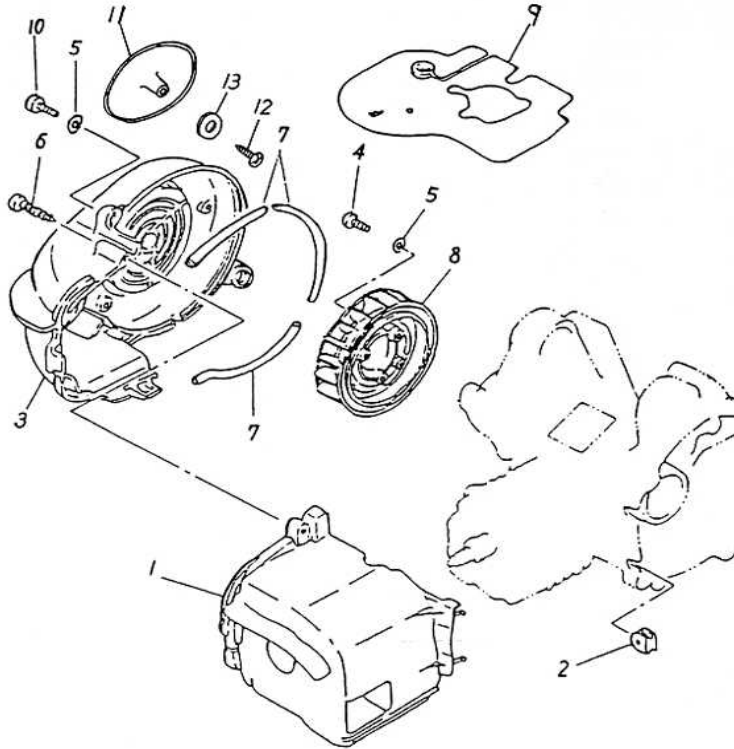
ERING



155-02 CRANKSHAFT,PISTON

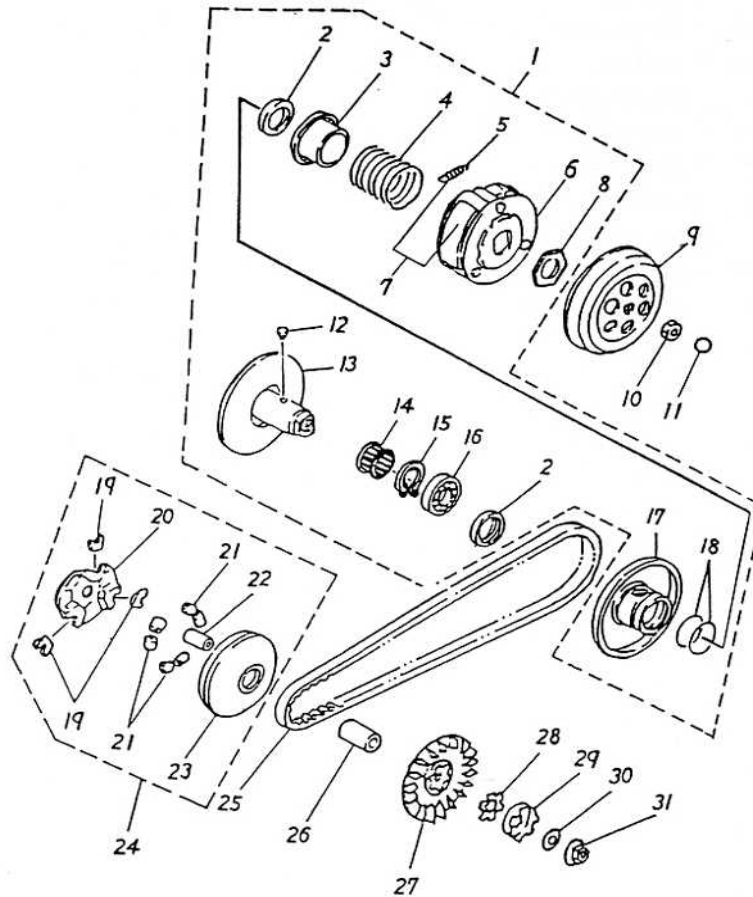
ITEM	PARTS NO.	PARTS NAME	
1	13000-116-000	CRANKSHAFT ASS'Y	
2	13321-116-000	LEFT CRANK	
3	13381-104-000	CRANK PIN	
4	96200-162212	NEEDLE BEARING	16*22*12
5	13201-104-000	CRANK CONNECTING ROD	
6	13311-116-000	RIGHT CRANK	
7	90471-104-000	SEMICYCLE KEY	3*13
8	96100-62040	RADIAL BALL BEARING	6204C3
9	96500-20428	OIL SEAL	20*42/43*8/9
10	96500-20306	OIL SEAL	20*30/33*6
11	13316-116-000	LEFT CRANK COLLAR	15*20*12
12	13100-116-000	PISTON	
13	13111-104-000	PISTON PIN	7*10*33
14	13011-116-000	PISTON RING SET	STD
15	13115-104-000	PISTON PING CLIP	1.0*12
16	96200-101412	NEEDLE BEARING	10*14*12.5
17	94101-1319005	PLAIN WASHER	13*19*0.5

ERING



FAN,AIR SHROUD

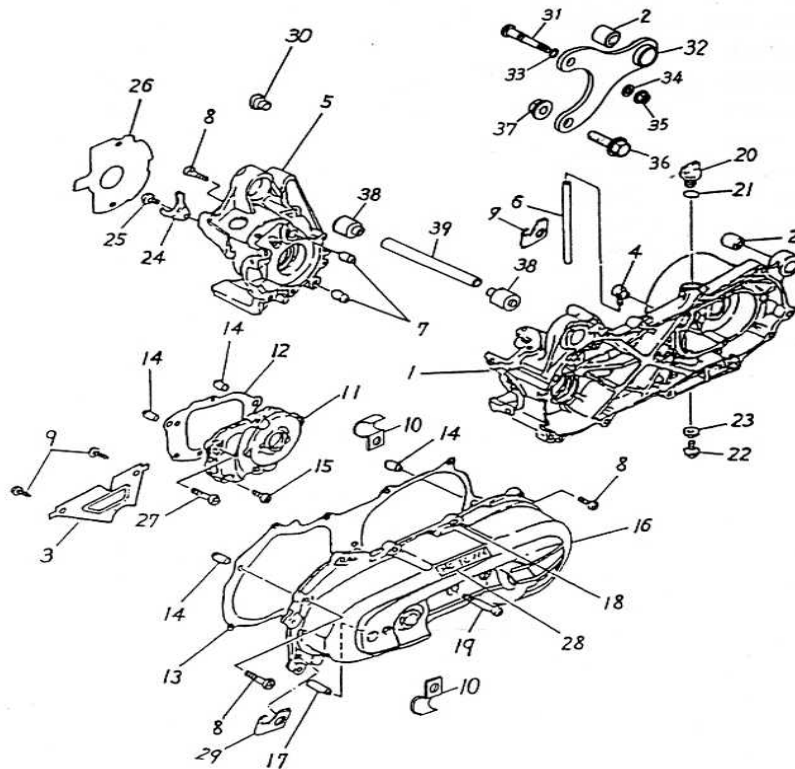
ITEM	PARTS NO.	PARTS NAME
1	19620-116-000	CYLINDER AIR SHROUD
2	83552-116-000	GROMMET
3	19610-116-000	GENERATOR COVER
4	91000-06015	HEX SOCKET BOLT 6*15
5	94101-0613010	PLAIN WASHER 6*13*1
6	93903-05040	TAPPING SCREW TRUSS HEAD PHILL 5*40
7	17632-116-000	DAMPER
8	19510-116-000	FAN
9	55122-116-000	DEFLECTOR
10	91000-06020	HEX SOCKET BOLT 6*20
11	19612-145-000	GENERATOR OUTER COVER
12	93903-05016	TAPPING SCREW TRUSS HEAD PHIL 5*16
13	94101-0618010	PLAIN WASHER 6*18*1



155-10 CLUTCH

ITEM	PARTS NO.	PARTS NAME
1	22000-116-000	DRIVE FACE ASSY B
2	96500-33394	OIL SEAL 33*39*4
3	23237-116-000	SECONDARY SPRING SEAT
4	23233-116-000	COMPRESSION SPRING
5	22401-116-000	CLUTCH WEIGHT SPRING
6	22350-116-000	CLUTCH CARRIER
7	22535-116-000	CLUTCH WEIGHT SET
8	90202-116-000	NUT 28*38*4
9	22100-116-000	CLUTCH COVER COMP
10	94001-10000	HEX NUT 10MM
11	91313-104-000	OIL RING 12.5*3
12	23225-116-000	GUIDE PIN
13	23200-116-000	SECONDARY FIX SLOT WHEEL
14	96200-172518	NEEDLE BEARING HKS-17*25*18
15	94512-240IR	INTERNAL CIR CLIP IRTW-24
16	96100-6901U	RADIAL BALL BEARING 6901LU
17	23220-116-000	SECONDARY SLIDING SLOT WHEEL
18	91336-104-000	OIL RING 36*2
19	22132-104-000	CAM PLATE SLIDER
20	22131-116-000	CAM PLATE
21	22121-116-000	WEIGHT ROLLER
22	96401-182322	BUSHING 18*23*22.5
23	22110-116-000	PRIMARY SLIDING SLOT WHEEL
24	22103-116-000	SLIDING DRIVE FACE ASSY A
25	23100-117-000	V-BELT
26	96401-131838	BUSHING 13*18*38
27	22102-116-000	PRIMARY FIX SHEAVE
28	22150-110-000	LCAW WASHER
29	22140-110-000	ONEWAY CLUTCH
30	22145-104-000	CONE SPRING WASHER 10.2*24*2.6
31	94050-10000	HEX FLANGE NUT WITH SERRATION 10mm

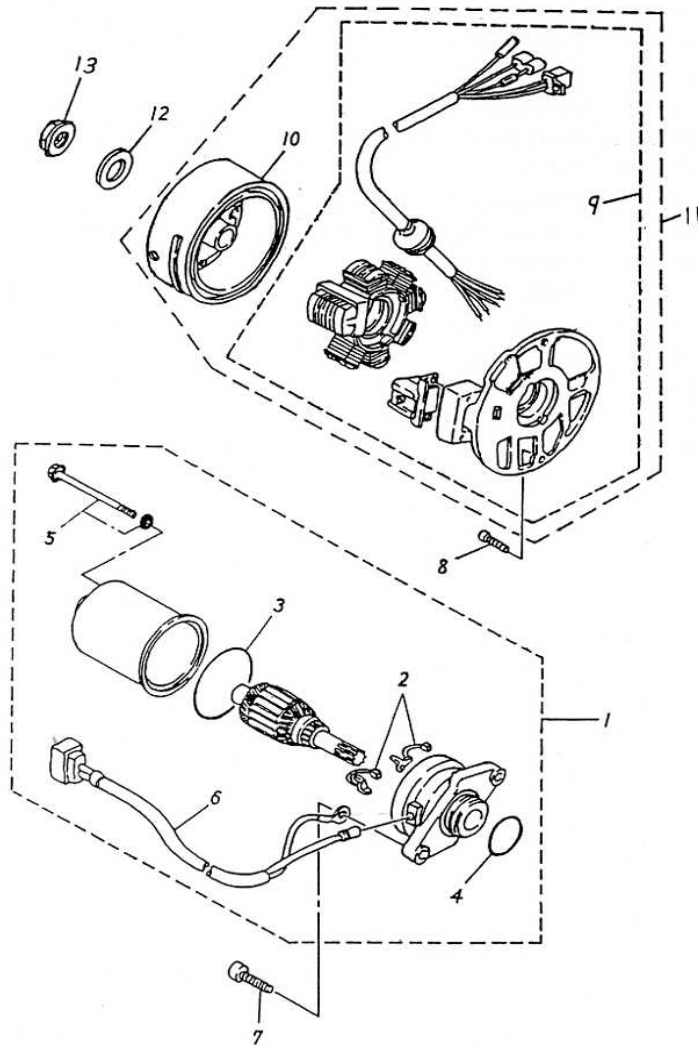
ERING



CRANKCASE

ITEM	PARTS NO.	PARTS NAME	
1	11201-116-000	LEFT CRANKCASE	
2	96400-082020	RUBBER BUSHING	8*20*20
3	11342-116-000	PLATE L COVER	
4	16610-104-000	BREATHER HOSE HEAD	
5	11101-116-000	RIGHT CRANKCASE	
6	16615-104-000	BREATHER HOSE	
7	94301-12160	DOWEL PIN	8.5*12*16
8	91000-06035	HEX SOCKET BOLT	6*35
9	93903-04008	TAPPING SCREW TRUSS HEAD PHILL 4*8	
10	11351-120-00A	CLAMP	
11	21301-116-000	MISSION COVER	
12	21395-116-000	MISSION COVER GASKET	
13	11359-116-000	CRANKCASE COVER GASKET	
14	94301-10140	DOWEL PIN	8*10*14
15	91000-06020	HEX SOCKET BOLT	6*20
16	11341-116-000	LEFT CRANKCASE COVER	
17	96300-080320	SHAFT IDLER	8*32
18	91000-06025	HEX SOCKET BOLT	6*25
19	91000-06060	HEX SOCKET BOLT	6*60
20	15650-110-000	OIL PLUG	
21	91312-104-000	OIL RING	11.8*2.6
22	96000-08015-12	HEX WASHER FACE BOLT	8*15
23	94101-0813010	COPPER PLAIN WASHER	8*13*1
24	11111-104-000	OIL SEAL BRACKET	
25	91000-06010	HEX SOCKET BOLT	6*10
26	11121-116-000	GENERATOR GASKET	
27	91000-06030	HEX SOCKET BOLT	6*30
28	87733-116-000	"HER CHEE" STICKER	HER CHEE
29	11351-104-000	CARBURETOR TUBE BRACKET	
30	11102-116-000	PROTECT SHROUD	
31	45110-145-000	FIX SHAFT	
32	11202-145-000	CRANKCASE BRACKET	
33	91307-101-000	OIL RING	7.5*1.5
34	94101-0815015	PLAIN WASHER	8*15*1.5
35	94050-08000	HEX FLANGE NUT WITH SERRATION	8mm
36	96000-12040-17	HEX WASHER FACE BOLT	12*40
37	94050-12000	HEX FLANGE NUT WITH SERRATION	12mm
38	11203-145-000	BUSH	10.2*35*23/34
39	11150-145-000	CRANKCASE FIX SHAFT	114mm

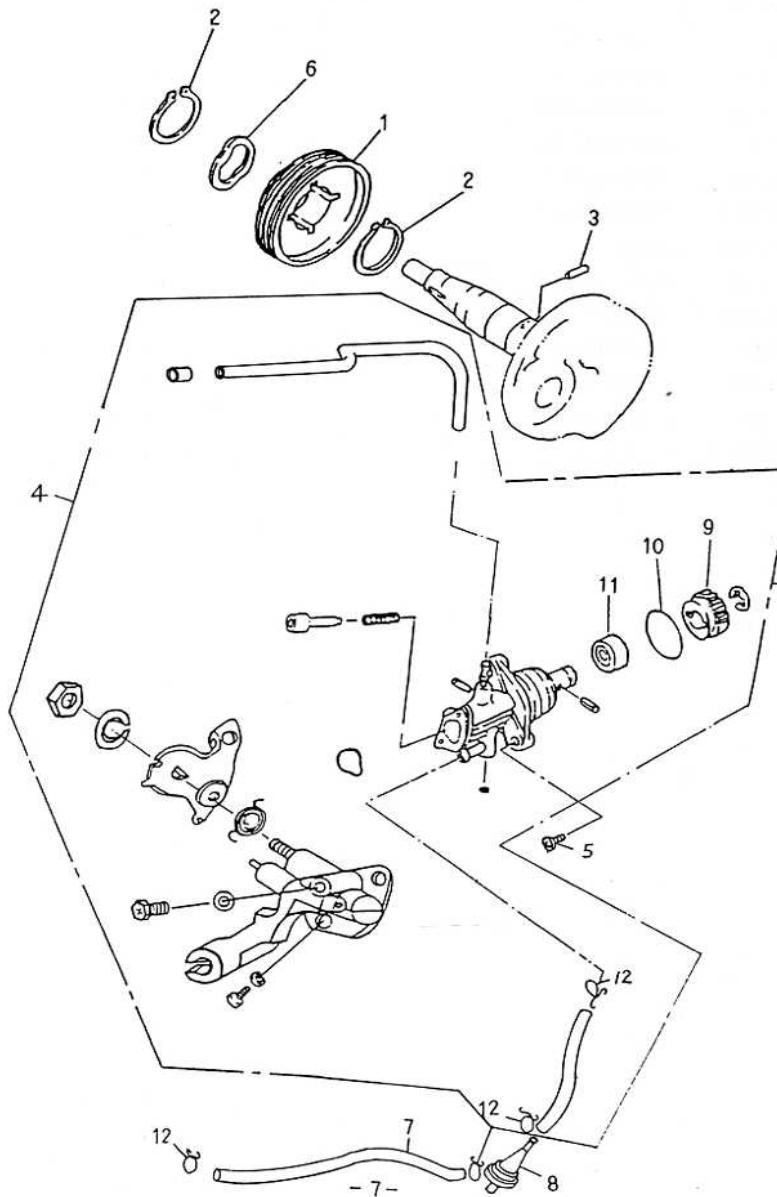
ERING



GENERATOR, STARTING MOTOR

ITEM	PARTS NO.	PARTS NAME
1	31200-116-000	STARTING MOTOR ASS'Y
2	31201-104-000	BRUSH SET
3	91342-104-000	OIL RING 42*1.5
4	91323-104-000	OIL RING 23*2
5	90115-104-000	BOLT SET
6	31202-116-000	CORD COMP.
7	91000-06020	HEX SOCKET BOLT 6*20
8	91000-06015	HEX SOCKET BOLT 6*15
9	31120-116-000	STATOR COMP.
10	31110-116-000	GENERATOR FLYWHEEL
11	31100-116-000	GENERATOR ASS'Y
12	94101-1022020	PLAIN WASHER 10*22*2
13	94050-10000	HEX FLANGE NUT WITH SERRATION 10mm

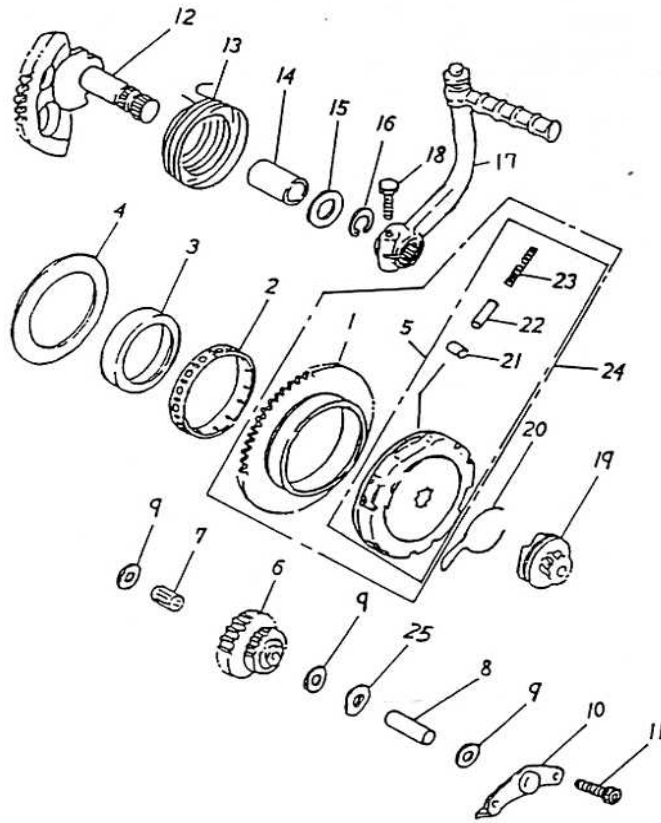
ERING



OIL PUMP

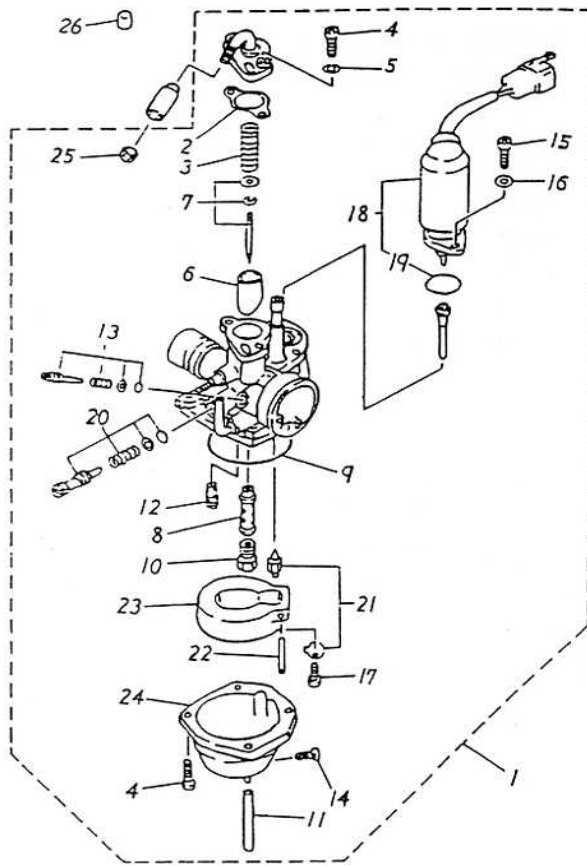
ITEM	PARTS NO.	PARTS NAME	
1	15150-104-000	PUMP DRIVE GEAR	
2	94511-1900S	EXTERNAL CIR CLIP	STW-19
3	96300-030118	CRANK SHAFT PIN	3*11.8
4	15100-116-000	OIL PUMP	
5	93500-05015	PAN PHILLIPS BOLT	5*15
6	15151-104-000	WAVE WASHER	19.2*26*0.3
7	94400-0408490	TUBE	4.8*8*490
8	17502-101-000	OIL FILTER CUP	
9	15136-110-000	OIL PUMP WORMWHEEL	40T
10	91319-110-000	OIL RING	19.3*1.6
11	96500-09164	OIL SEAL	9.5*16*4
12	94510-08000	CLIP	8*0.8

ERING



STARTER

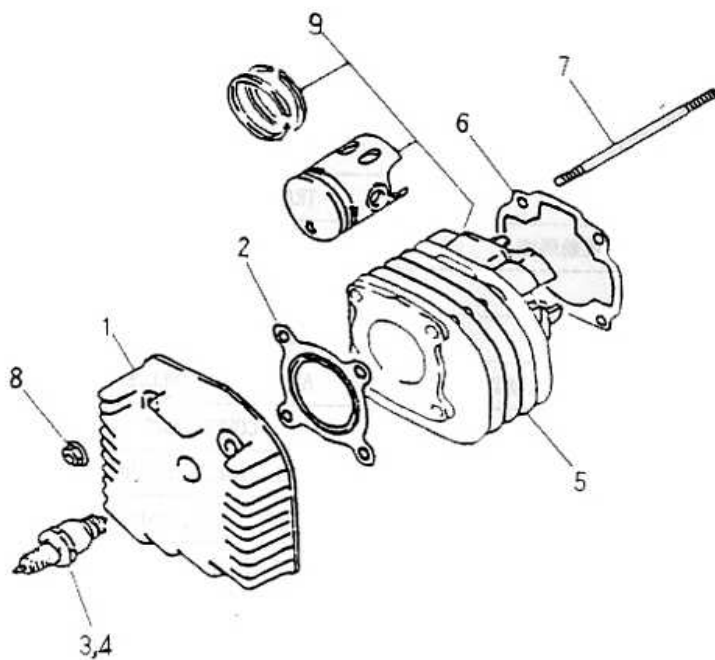
ITEM	PARTS NO.	PARTS NAME	
1	28220-116-000	STARTER WHEEL	
2	96200-555912	NEEDLE BEARING	55*59*12.5
3	96202-116-000	BOSS	
4	94101-5676006	PLAIN WASHER	56*76*0.6
5	28410-116-000	ELECTRIC STARTER CLUTCH SET	
6	23422-116-000	IDLER GEAR	
7	96200-081210	NEEDLE BEARING	HK8*12*10
8	96300-080320	SHAFT IDLER	8*32
9	94101-0818008	PLAIN WASHER	8.2*18*0.8
10	11206-116-000	IDLER GEAR PLATE	
11	91000-06010	HEX SOCKET BOLT	6*10
12	28250-116-000	STARTING SHAFT ASS'Y	
13	28281-110-000	STARTING SHAFT RESET SPRING	
14	96401-152030	BUSHING	15*20*30
15	94101-1528010	PLAIN WASHER	15.2*28*1
16	94511-1500S	EXTERNAL CIR CLIP	STW-15
17	28300-145-000	KICK CRANK ASS'Y	
18	96000-06025-10	HEX WASHER FACE BOLT	6*25
19	28230-104-000	KICK PINION ASS'Y	
20	28223-104-000	KICK PINION SPRING CLIP	
21	28411-116-000	CLUTCH ROLLER	6*7
22	28412-116-000	CLUTCH GUIDER	
23	28413-116-000	CLUTCH SPRING	
24	28400-116-000	ELECTRIC STARTER CLUTCH ASS'Y	
25	92022-851618	WAVE WASHER	8.5*16*1.8



CARBURETOR

ITEM	PARTS NO.	PARTS NAME	
1	16100-116-00A	CARBURETOR ASS'Y	
2	16101-116-000	CARBURETOR GASKET	
3	16102-116-000	THROTTLE VALVE SPRING	
4	93500-04014	PAN PHILLIPS BOLT	4*14
5	94111-0407010	SPRING WASHER	4*7*1
6	16103-116-000	THROTTLE VALVE	
7	16104-116-000	NEEDLE SET	
8	16105-116-000	NEEDLE NOZZLE	
9	16106-116-000	FLOAT CHAMBER SEAL	
10	16108-116-000	MAIN NOZZLE	(#75)
11	16109-116-000	OVER FLOW TUBE	4*7
12	16110-116-000	PILOT JET	#17.5
13	16115-116-000	AIR ADJUST SCREW SET	
14	16111-116-000	DRAIN PLUG	
15	93500-04008	PAN PHILLIPS BOLT	4*8
16	94111-0406510	SPRING WASHER	4*6.5*1
17	93500-03008	PAN PHILLIPS BOLT	3*6
18	17215-116-000	PLUNGER STARTER	
19	91314-116-000	OIL RING	14*1.5
20	16114-116-000	THROTTLE SCREW SET	
21	16117-116-00A	NEEDLE VALVE ASS'Y	
22	16119-116-000	FLOAT PIN	
23	16118-116-000	FLOAT	
24	16107-116-000	FLOAT CHAMBER	
25	16113-116-000	CABLE ADJUST NUT	
26	42615-145-000	PURGE HOLE PLUG	

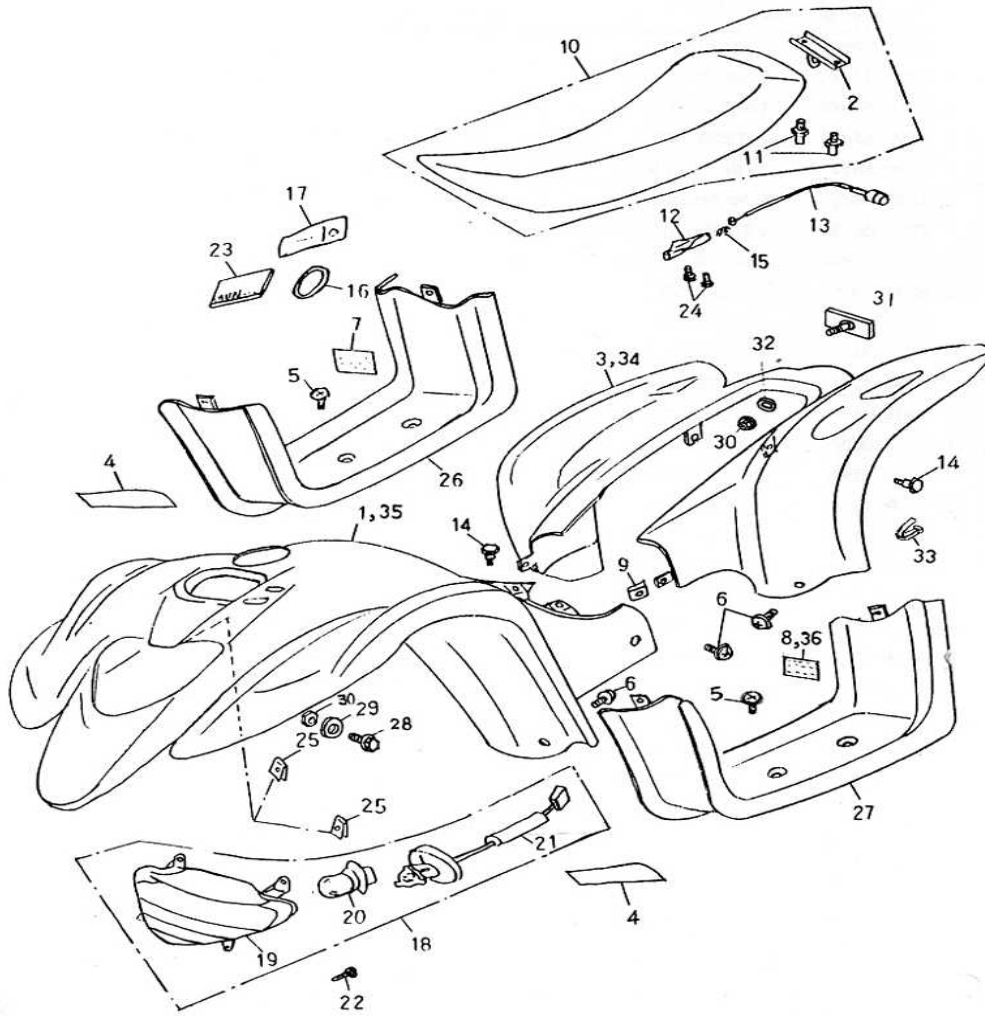
ERING



CYLINDER,CYLINDER HEAD

ITEM	PARTS NO.	PARTS NAME
1	12201-116-000	CYLINDER HEAD
2	12251-116-000	CYLINDER HEAD GASKET
3	98076-101-000	SPARK PLUG NGK BP7HS
4	98076-101-00A	RESISTANCE SPARK PLUG
5	12101-116-000	CYLINDER
6	12191-116-000	CYLINDER GASKET
7	91001-07110	STUD BOLT 7*110
8	94050-07000	HEX FLANGE NUT WITH SERRATION 7MM
9	12301-116-000	CYLINDER COMP

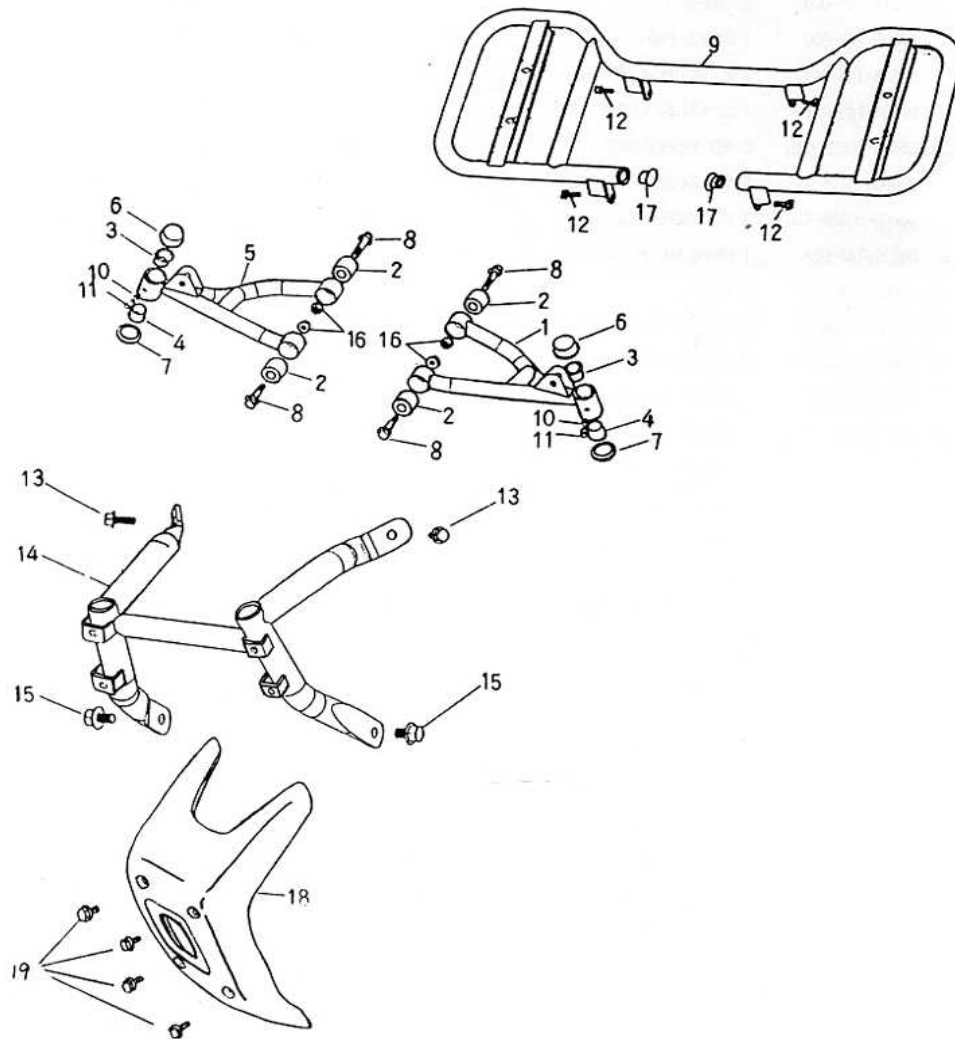
ERING



BODY COVER,SEAT(HOMOLOGATION)

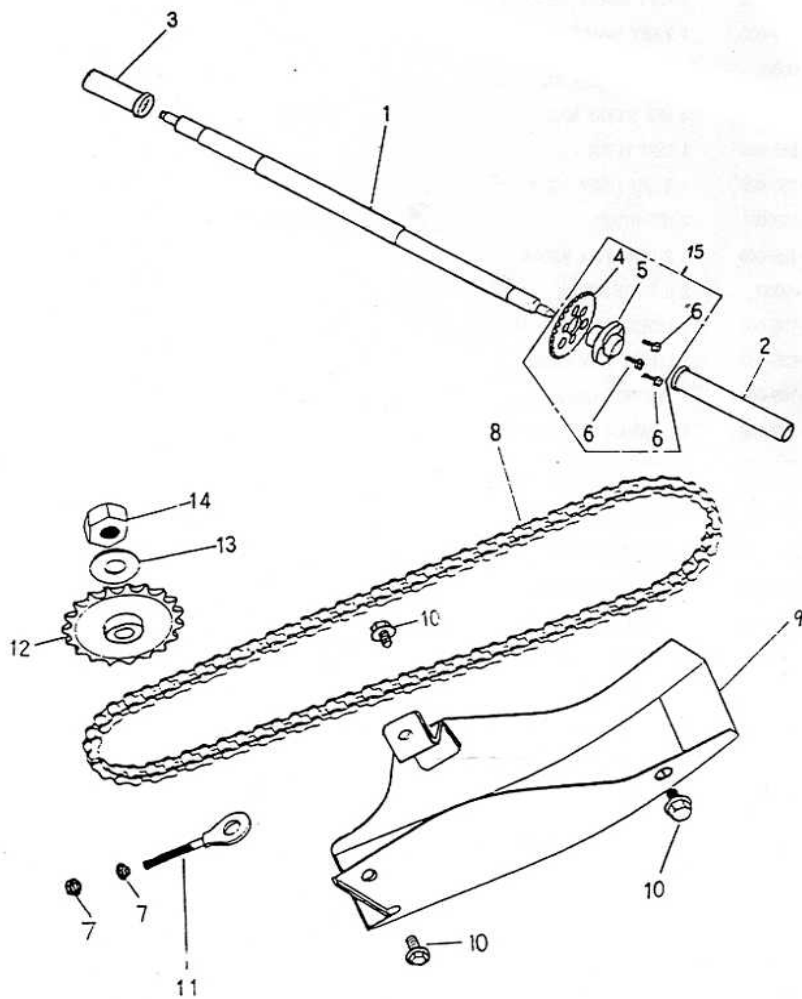
ITEM	PARTS NO.	PARTS NAME
1	64301-155-00A	FRONT COVER(HOMOLOGATION)
2	77201-145-000	SEAT BRACKET
3	83400-155-00A	REAR COVER (HOMOLOGATION)
4	87700-155-000	STICKER(SET)
5	93500-06012S	PAN PHILLIPS BOLT 6*12
6	93800-06020S	PAN PHILPS BOLT 6*20
7	87705-156-000	STICKER, WARNING(Y-16) Y-16
8	87704-155-000	STICKER, WARNING
9	90344-0600A	U PLATE NUT 6mm
10	77200-145-000	SEAT ASS'Y
11	77203-145-000	SEAT BOLT
12	77230-145-000	SEAT LOCK ASS'Y
13	77212-145-000	SEAT RELEASE CABLE
14	90111-06014-18G	LADDER BOLT 6*14*2.5
15	77213-145-000	RESET SPRING φ1*25
16	91350-145-000	RUBBER STRIP 50.1*5.3
17	50120-101-000	TOOL BAG
18	33100-125-00A	HEAD LIGHT ASS'Y (E-MARK)
19	33110-125-00A	HEAD LIGHT COVER (E-MARK)
20	34901-110-00A	HEAD LIGHT BULB (E-MARK) 12V35W35W
21	34801-125-000	HEAD LIGHT WIRE
22	93903-05016	TAPPING SCREW TRUSS HEAD PHIL 5*16
23	50122-155-000	OWNER'S MANUAL
24	96000-06012-10G	HEX WASHER FACE BOLT 6*12
25	90344-04000	U PLATE NUT 4mm
26	64312-155-000	R. FLOOR PANEL
27	64313-155-000	L. FLOOR PANEL
28	96000-06016-10	HEX WASHER FACE BOLT 6*16
29	94101-0618020	PLAIN WASHER 6*18*2
30	94050-06000	HEX FLANGE NUT WITH SERRATION 6mm
31	33741-133-000	REFLECTOR (E-MARK)
32	94101-0615010	PLAIN WASHER 6*15*1
33	11352-145-000	CABLE CLAMP

ERING



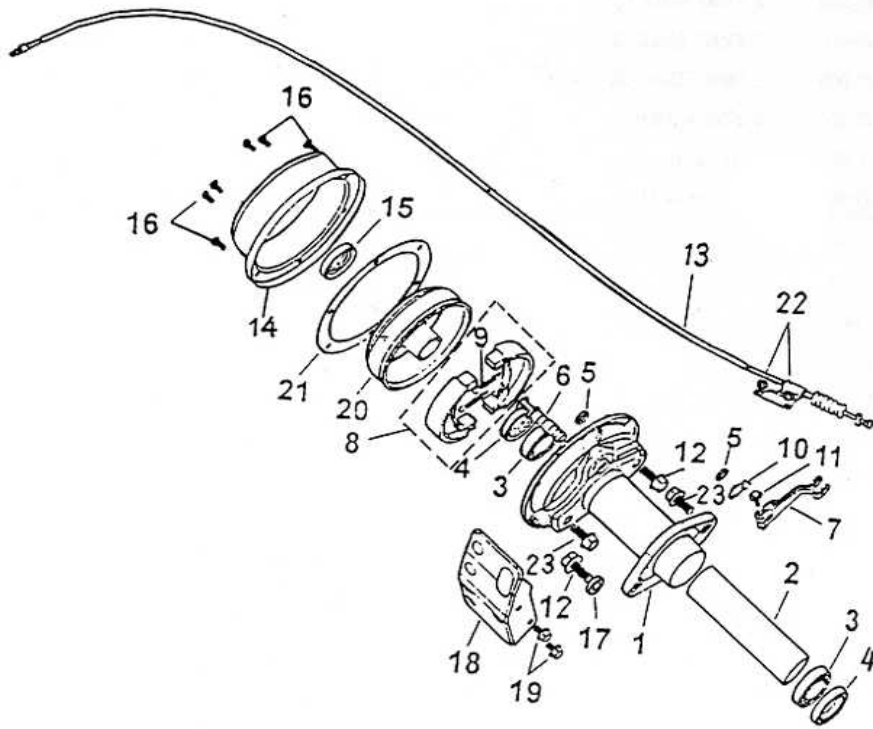
ARM,FLOOR PANEL,BUMPER

ITEM	PARTS NO.	PARTS NAME	
1	51300-145-000	LEFT SUSPENSION ARM	
2	96400-102829	RUBBER BUSHING	10*28*29
3	51201-145-000	BUSH	φ15.5
4	51202-145-000	BUSH	φ17
5	51200-145-000	RIGHT SUSPENSION ARM	
6	51203-145-000	WATERPROOF COVER	
7	51204-145-000	DUSTPROOF COVER	
8	96000-10048-14G	HEX WASHER FACE BOLT	10*48
9	64310-155-000	FLOOR PANEL	
10	96501-06000	GREASE VALEVE	6mm X 5
11	96502-06000	GREASE VALEVE CAP	6mm
12	96000-10020-14G	HEX WASHER FACE BOLT	10*20
13	96000-06016-10G	HEX WASHER FACE BOLT	6*16
14	50104-155-000	BUMPER	
15	96000-08015-12G	HEX WASHER FACE BOLT	8*15
16	90350-10000G	NUT NYLON	10mm*1.25
17	64330-145-000	FLOOR PANEL RUBBER CAP	
18	50107-155-000	BUMPER COVER	
19	96000-06012-10G	HEX WASHER FACE BOLT	6*12



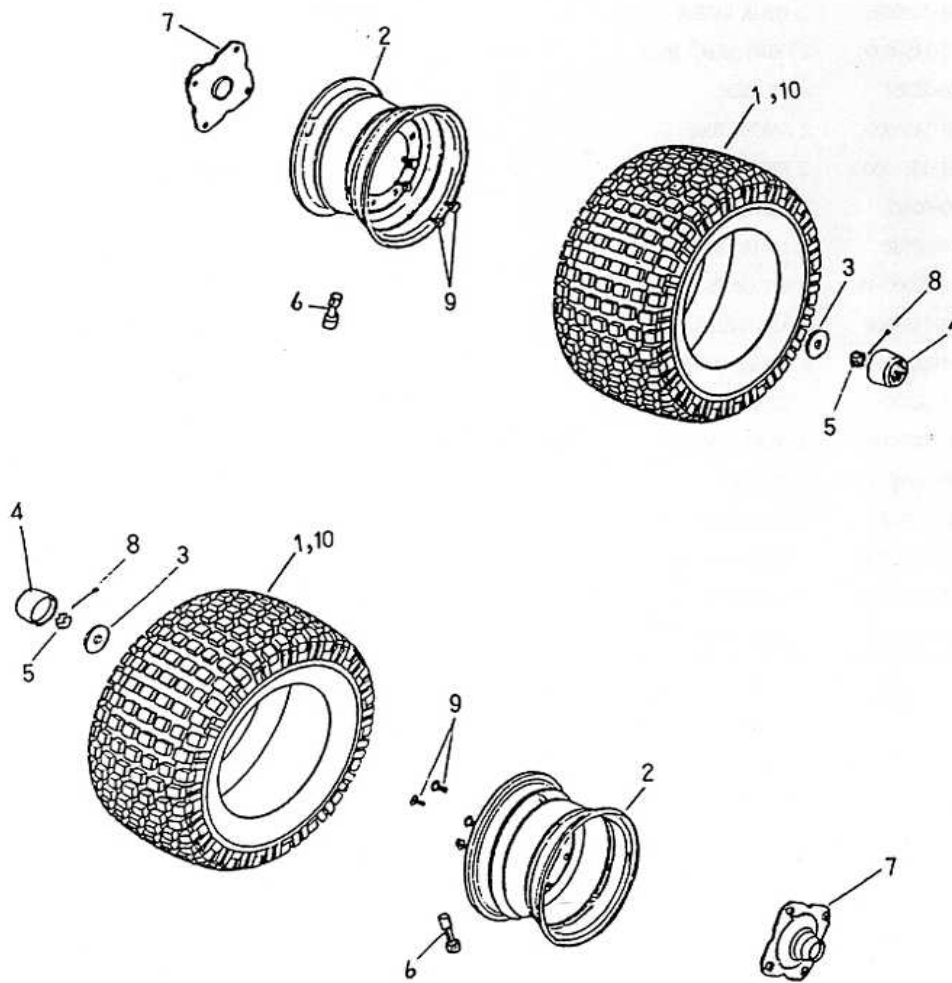
REAR WHEEL AXLE,CHAIN

ITEM	PARTS NO.	PARTS NAME
1	42301-145-000	REAR WHEEL AXLE
2	42620-145-000	RIGHT SPACER COLLAR
3	42622-145-000	LEFT SPACER COLLAR
4	41201-145-000	REAR SPROCKET 28T
5	42610-145-000	FINAL DRIVE FLANGE
6	96000-08020-12	HEX WASHER FACE BOLT 8*20
7	94050-06000	HEX FLANGE NUT WITH SERRATION 6mm
8	40530-145-000	DRIVE CHAIN 428*76
9	40510-145-001	CHAIN PROTECT COVER
10	96000-08012-12G	HEX WASHER FACE BOLT 8*12
11	40543-145-000	DRIVE CHAIN ADJUSTER
12	23801-145-000	DRIVE SPROCKET ASSY 19T
13	94101-1529030	PLAIN WASHER 15*29*3
14	90350-14000	NUT NYLON 14mm
15	94101-0614020	PLAIN WASHER 6*14*2



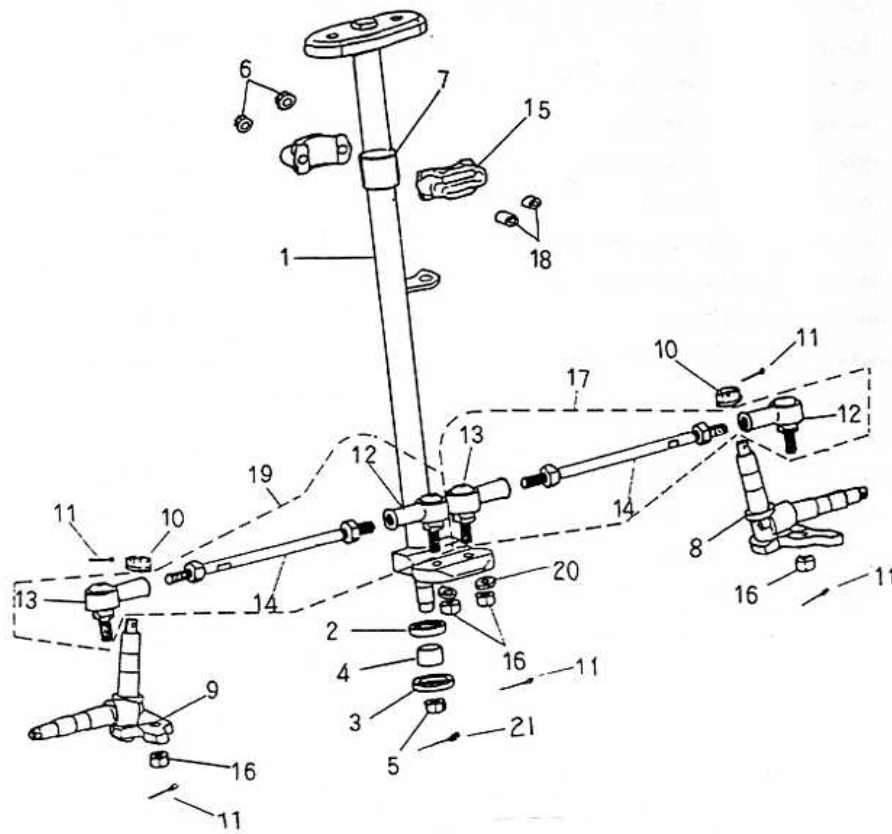
REAR BRAKE

ITEM	PARTS NO.	PARTS NAME
1	43101-145-000	REAR BRAKE PANEL
2	42313-145-000	REAR BRAKE PANEL SPACER
3	96100-6006ZZ	RADIAL BALL BEARING 6006ZZ
4	96500-355511	OIL SEAL 35*55*11
5	96500-14204	OIL SEAL 14*20*4
6	43141-145-000	REAR BRAKE CAM SHAFT
7	43410-145-000	REAR BRAKE ARM
8	43120-145-000	REAR BRAKE SHOE COMP.
9	43151-145-000	SHOE STRAIN SPRING 1.6*36
10	42617-145-000	RETURN SPRING
11	96000-06030-10	HEX WASHER FACE BOLT 6*30
12	96000-12027-17	HEX WASHER FACE BOLT 12*27
13	43450-145-000	REAR BRAKE CABLE
14	42612-145-000	REAR DRUM COVER
15	96500-325211	OIL SEAL 32*52*11
16	96000-06012-10G	HEX WASHER FACE BOLT 6*12
17	94101-1325050	PLAIN WASHER 13*25*5
18	42613-145-000	REAR BRAKE COVER
19	96000-08012-12G	HEX WASHER FACE BOLT 8*12
20	42601-145-000	REAR DRUM
21	42614-145-000	REAR DRUM COVER GASKET
22	94050-08000	HEX FLANGE NUT WITH SERRATION 8mm
23	96000-12022-17	HEX WASHER FACE BOLT 12*22



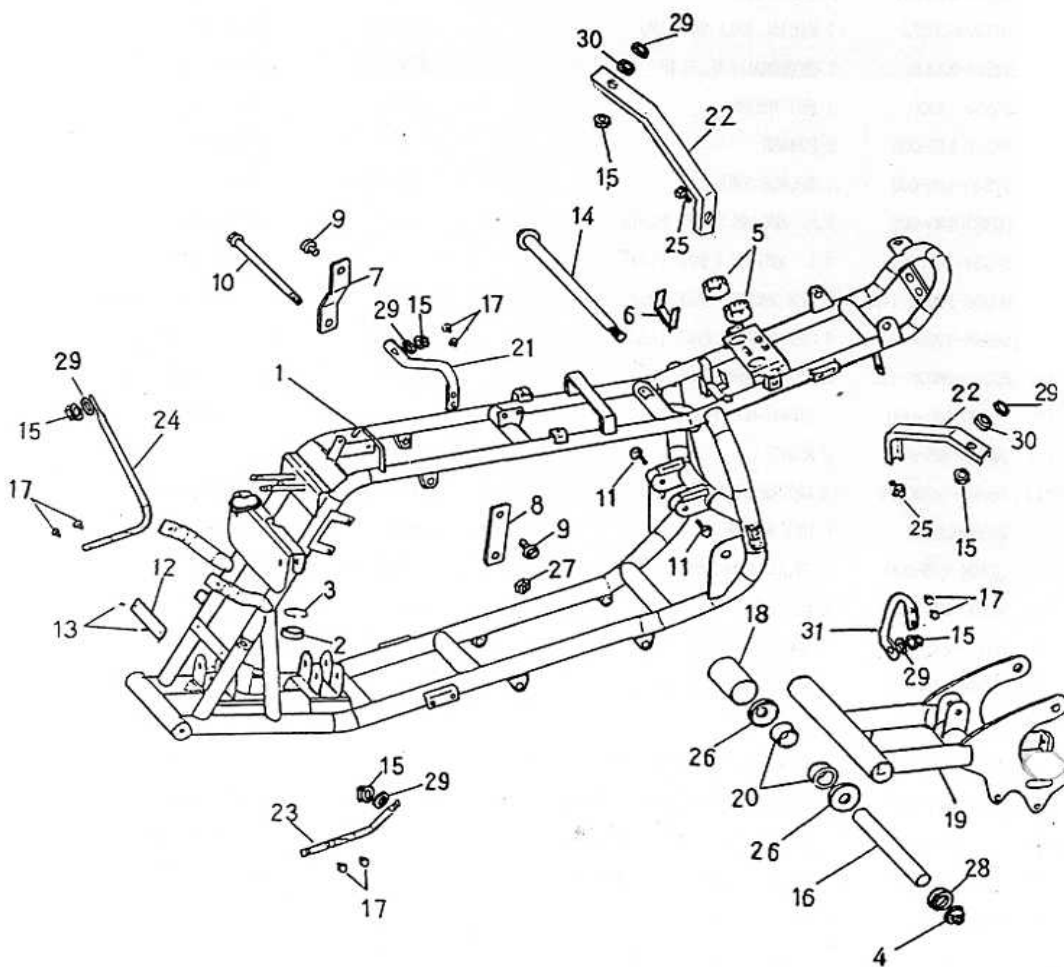
REAR WHEEL(HOMOLOGATION)

ITEM	PARTS NO.	PARTS NAME	
1	42711-145-00A	TIRE(E-MARK)	16/7-7
2	42701-145-001	RIM ASS'Y	7*5
3	94101-1440045	PALIN WASHER	14*40*4.5
4	42814-145-000	RUBBER COVER	
5	94051-14000-19	NUT, CROSS THREAD	14mm
6	42616-145-000	AIR NOZZLE	
7	42036-145-001	SHAFT CONNECTOR	
8	94201-30320	COTTER PIN	3*32
9	96000-10020-14	HEX WASHER FACE BOLT	10*20



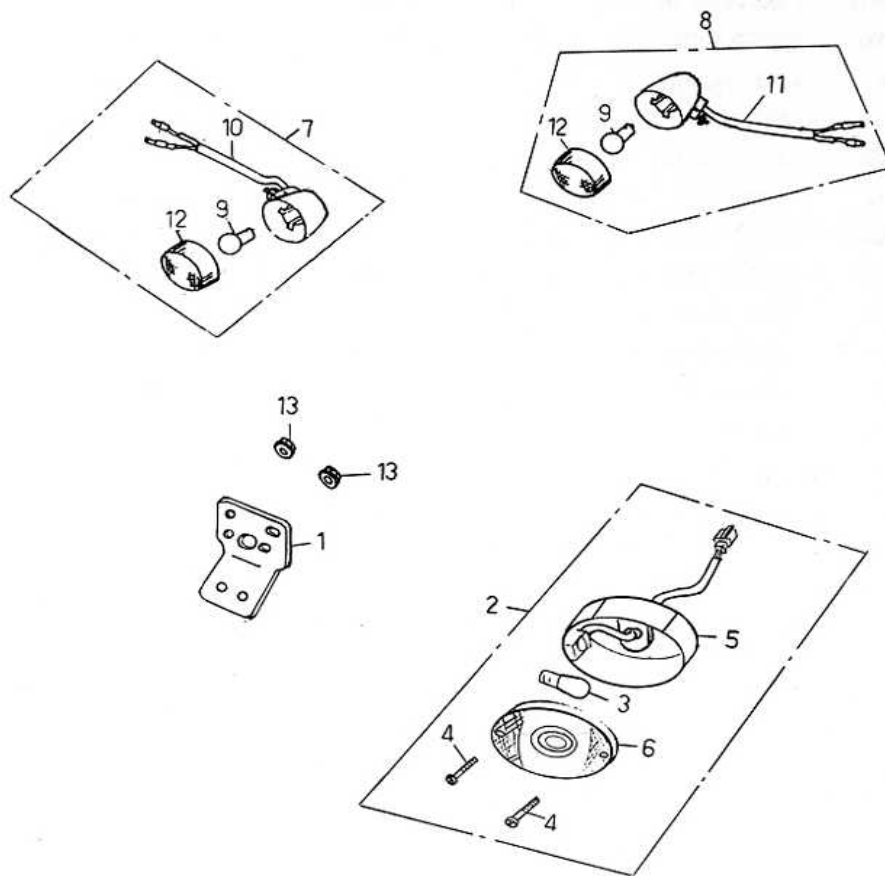
STEERING(HOMOLOGATION)

ITEM	PARTS NO.	PARTS NAME
1	51109-155-00A	STEERING SHAFT ASSY(HOMOLOGAT
2	96500-18327	OIL SEAL 18*32*7
3	96500-22357	OIL SEAL 22*35*7
4	44620-145-000	SPACER TUBE 15*22*15
5	90350-14000	NUT NYLON 14mm
6	94050-08000	HEX FLANGE NUT WITH SERRATION 8mm
7	51114-145-000	PU BUSH
8	44510-145-000	LEFT KNUCKLE
9	44520-145-000	RIGHT KNUCKLE
10	94052-10000-14	SCOTCH FLANGE NUT 10mm
11	94201-20190	COTTER PIN 2*19
12	44511-145-000	BALL JOINT,LEFT THREAD
13	44521-145-000	BALL JOINT,RIGHT THREAD
14	91001-10200	STUD BOLT 10*200
15	51113-145-000	STEERING SHAFT HOLDER
16	90350-10000G	NUT NYLON 10mm*1.25
17	44500-145-000	RIGHT LINK ASS'Y
18	51115-145-000	HOLDER SPACER COLLER
19	44501-145-000	LEFT LINK ASS'Y
20	94105-1022025G	PLAIN WASHER 10*22*2.5
21	94201-30320	COTTER PIN 3*32



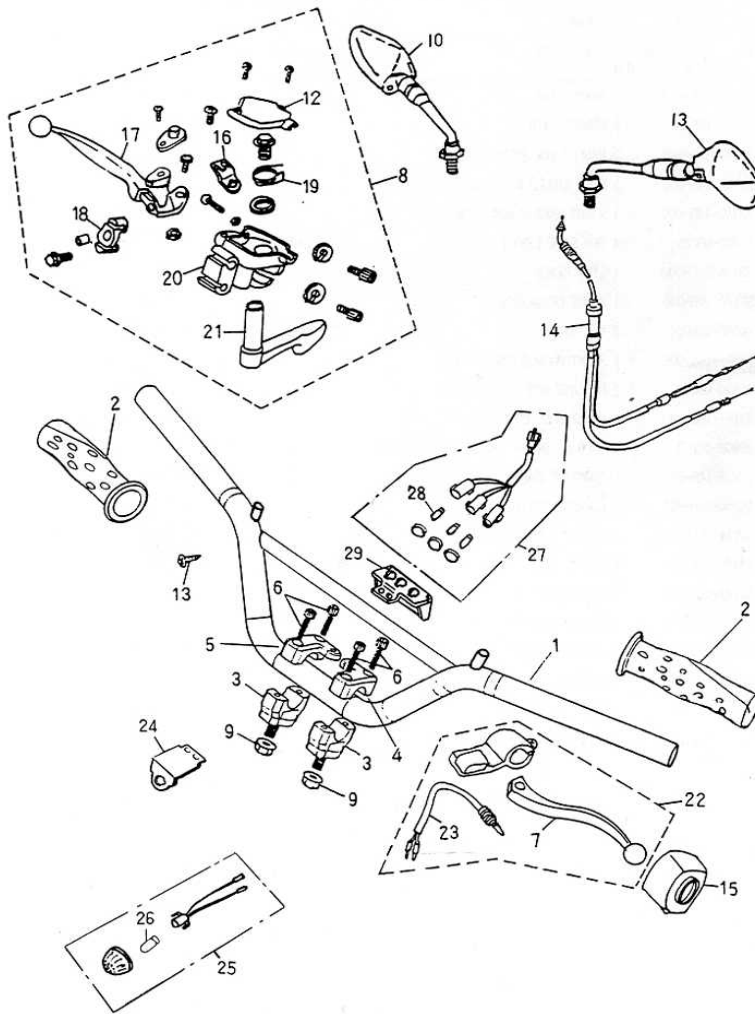
FRAME BODY(HOMOLOGATION)

ITEM	PARTS NO.	PARTS NAME
1	50100-145-00C	FRAME COMP
2	96100-6002ZZ	RADIAL BALL BEARING 6002ZZ
3	94512-3200R	INTERNAL CIR CLIP RTW-32
4	90350-14000	NUT NYLON 14mm
5	77211-145-000	RUBBER
6	17505-145-000	SPONGE PAD 15*100*4
7	50353-145-001	R. ENGINE FIXED PLATE
8	50354-145-001	L. ENGINE FIXED PLATE
9	96000-10020-14G	HEX WASHER FACE BOLT 10*20
10	96000-10208-14	HEX WASHER FACE BOLT 10*208
11	96000-08036-12G	HEX WASHER FACE BOLT 8*36
12	50110-145-00A	FRAME NO. PLATE
13	90662-105-000	RIVET #4-3
14	96000-14290-19	HEX WASHER FACE BOLT 14*290
15	90350-06000	NUT NYLON 6mm
16	52104-145-000	SWING ARM SPACER 14*20*253
17	92000-06014-10	HEX BOLT 6*14
18	52101-145-000	RUBBER SLEEVE
19	52100-145-002	SWING ARM SUB ASS'Y
20	52103-145-000	BUSH
21	83401-155-000	REAR COVER LOWER RIGHT FIXED P
22	83402-155-000	REAR COVER UP FIXED PLATE
23	64307-155-000	FRONT COVER LEFT FIXED POLE
24	64308-155-000	FRONT COVER RIGHT FIXED POLE
25	96000-06012-10G	HEX WASHER FACE BOLT 6*12
26	52144-145-000	SWING ARM SEAL COVER
27	90350-10000	NUT NYLON 10mm*1.25
28	94101-1426030	PLAIN WASHER 14*26*3
29	94101-0618020	PLAIN WASHER 6*18*2
30	94102-145-000	RUBBER WASHER
31	83404-155-000	REAR COVER LOWER LEFT FIXED PO



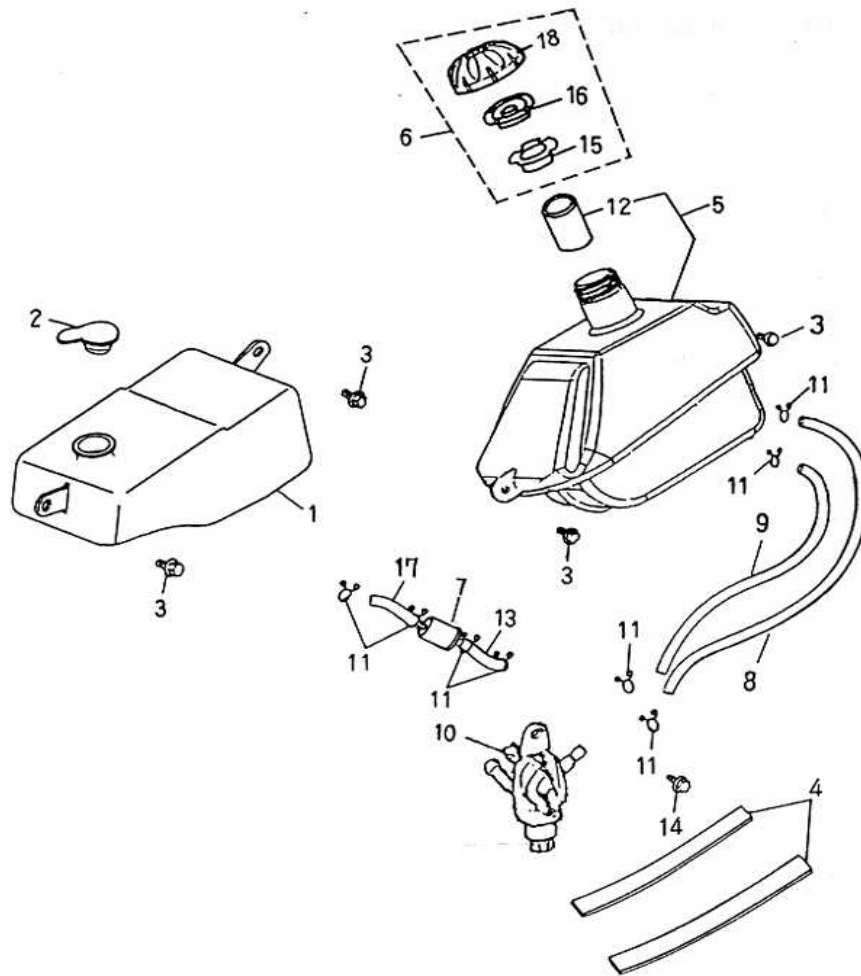
SIGNAL LIGHT, TAIL LIGHT (HOMOLOGATION)

ITEM	PARTS NO.	PARTS NAME
1	50357-145-000	TAIL LIGHT FIX BRACKET
2	33700-145-000	TAIL LIGHT ASSY (E-MARK)
3	34906-105-00A	TAIL LIGHT BULB (E-MARK) 12V21/5W
4	93500-04010	PAN PHILLIPS BOLT 4*10
5	33711-145-000	REAR LIGHT SOCKET
6	33702-145-000	TAIL LIGHT LENS
7	33400-145-000	R.SIGNAL ASS'Y (E-MARK)
8	33450-145-000	L.SIGNAL ASS'Y (E-MARK)
9	34905-118-000	BULB (E-MARK) 12V/10W
10	33425-145-000	SIGNAL BULB SOCKET
11	33435-145-000	L.SIGNAL BULB SOCKET
12	33410-145-000	SIGNAL COVER
13	94050-06000	HEX FLANGE NUT WITH SERRATION 6mm



HANDLE BAR(HOMOLOGATION)

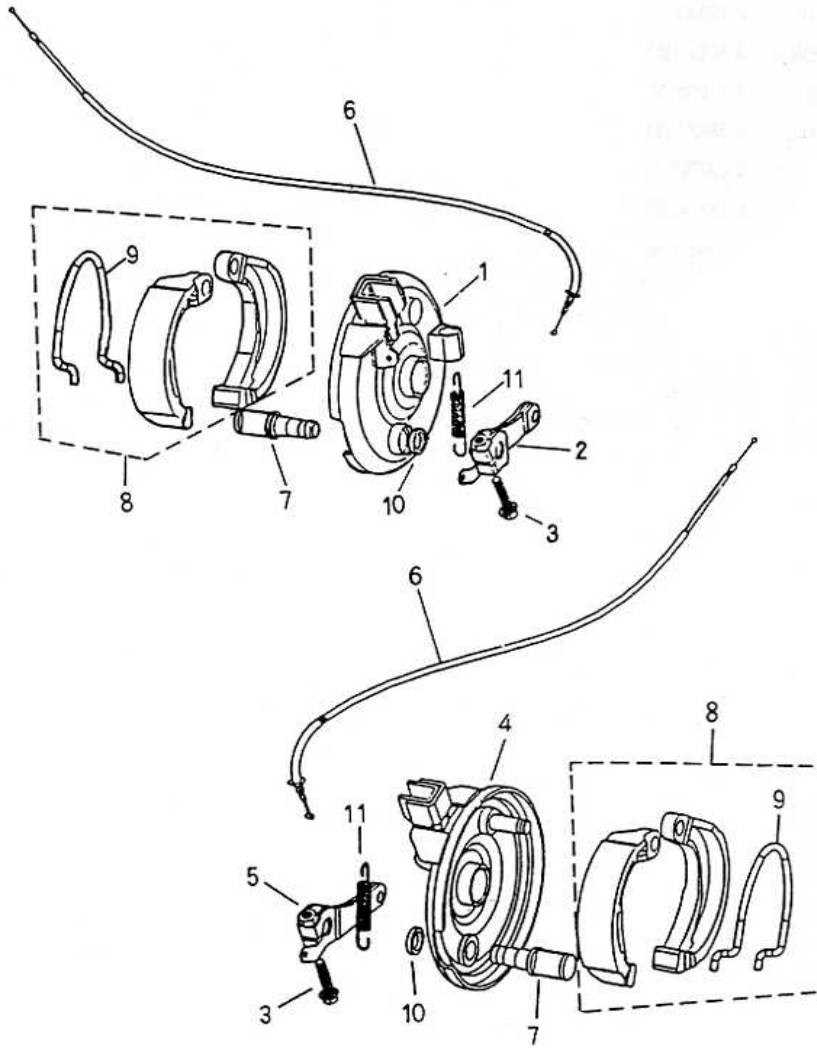
ITEM	PARTS NO.	PARTS NAME
1	53100-145-00B	HANDLE BAR
2	53166-155-000	HANDLE GRIP
3	53101-145-000	HANDLE BAR BOTTOM CLAMP
4	53102-145-000	LEFT HANDLE BAR CLAMP
5	53103-145-000	RIGHT HANDLE BAR CLAMP
6	91000-06025	HEX SOCKET BOLT 6*25
7	53178-145-000	LEFT LEVER
8	53170-155-000	RIGHT LEVER ASS'Y
9	90350-10000G	NUT NYLON 10mm*1.25
10	88110-125-000	R.REAR VIEW MIRROR
11	90344-05000	U PLATE NUT 5mm
12	53171-155-000	LEVER BODY COVER(ADLY)
13	88120-125-000	L.REAR VIEW MIRROR
14	17910-145-000	THROTTLE CABLE
15	35200-145-00B	L.HANDLE SWITCH ASS'Y
16	53174-155-000	THROTTLE CABLE BRACKET
17	53175-155-000	RIGHT LEVER
18	53173-145-000	CABLE BRACKET
19	53184-155-000	THROTTE LEVER SPRING
20	53172-155-000	LEVER BRACKET
21	53180-155-000	THROTTLE LEVER
22	53179-155-000	LEFT LEVER ASS'Y
23	35345-145-000	L.BRAKE SWITCH WIRE
24	37215-145-000	POSITION PLATE
25	34900-145-000	POSITION LAMP
26	34909-120-000	POSITION LIGHT BULB 12V5W
27	37250-145-000	INDICATOR LIGHT
28	34908-125-000	METER BULB 12V/1.7W
29	37212-145-000	INDICATOR LIGHT PLATE



FUEL TANK,OIL TANK

ITEM	PARTS NO.	PARTS NAME
1	55100-145-000	OIL TANK
2	55105-116-000	OIL TANK CAP
3	92000-06014-10	HEX BOLT 6*14
4	17505-145-000	SPONGE PAD 15*100*4
5	17500-155-000	FUEL TANK COMP
6	17620-145-000	FUEL TANK CAP ASS'Y
7	16952-101-000	PETROL FILTER
8	94400-0408300	TUBE 4.8*8*300
9	94400-0408280	TUBE 4.8*8*280
10	16950-145-000	FUEL CUP
11	94510-08000	CLIP 8*0.8
12	17633-145-000	FUEL TANK TUBE
13	94400-0408160	TUBE 4.8*8*160
14	96000-06012-10G	HEX WASHER FACE BOLT 6*12
15	17631-145-000	FUEL TAKE CAP GASKET
16	17632-145-001	FUEL TANK CAP BUSHING
17	94400-0408075	TUBE 4.5*8.5*75

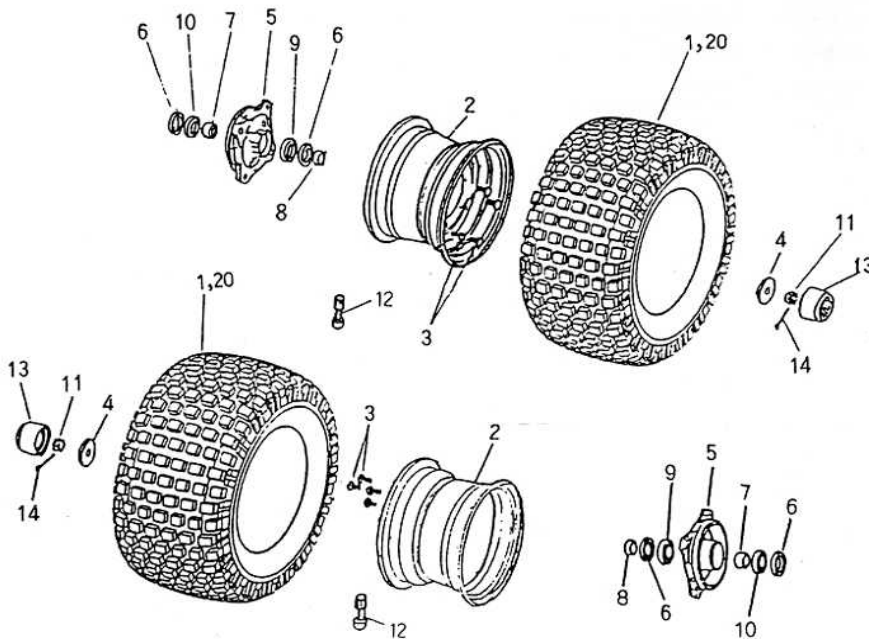
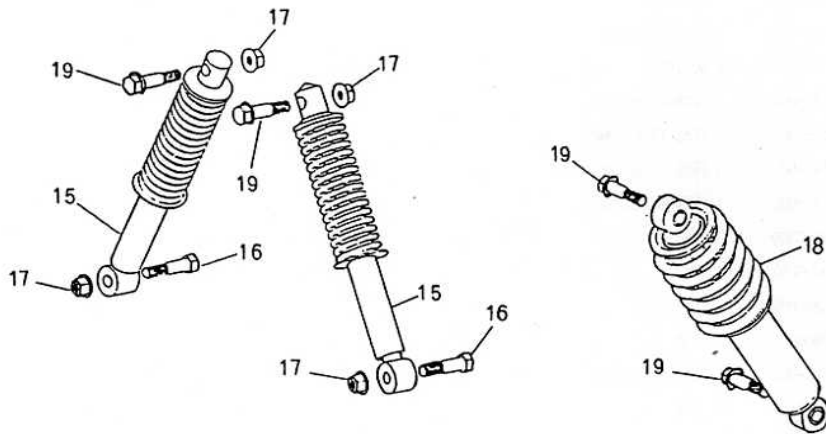
ERING



FRONT BRAKE

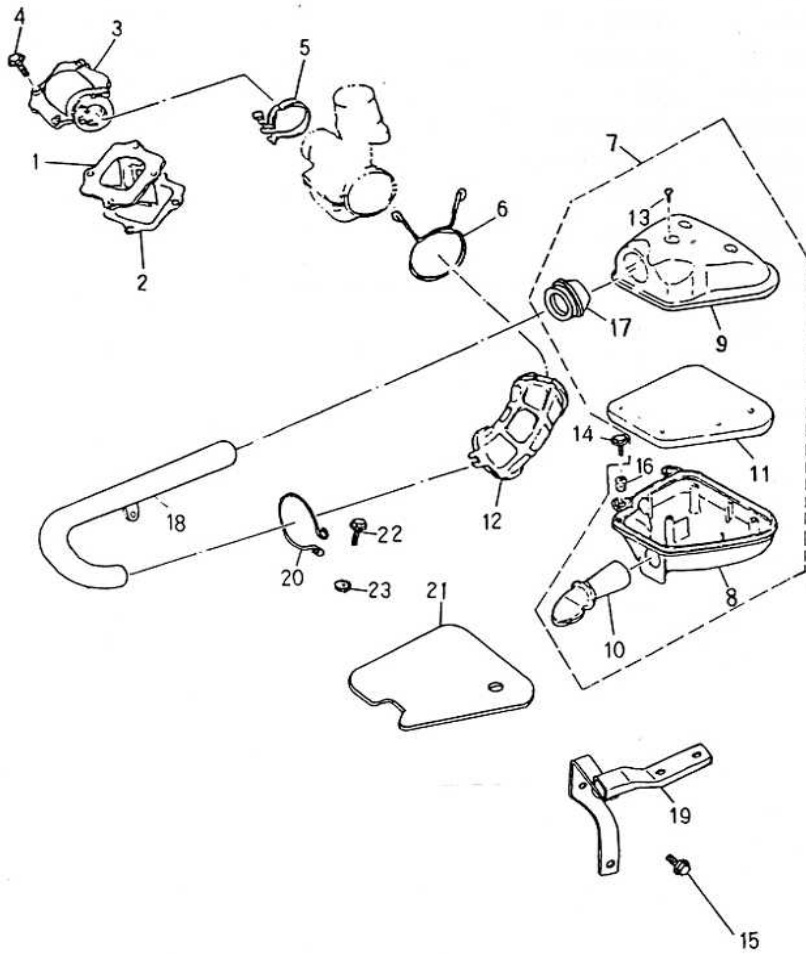
ITEM	PARTS NO.	PARTS NAME
1	45010-145-000	FRONT LEFT BRAKE PANEL
2	45410-145-000	FRONT LEFT BRAKE ARM
3	96000-05024-08	HEX WASHER FACE BOLT 5*24
4	45020-145-000	FRONT RIGHT BRAKE PANEL
5	45310-145-000	FRONT RIGHT BRAKE ARM
6	45450-145-000	FRONT BRAKE CABLE
7	45141-145-000	FRONT BRAKE CAM SHAFT
8	45120-145-001	FRONT BRAKE SHOE COMP
9	45133-145-000	STRAIN SPRING
10	91313-104-000	OIL RING 12.5*3
11	45437-145-000	RETURN SPRING

ERING



FRONT WHEEL,SUSPENSION(HOMLOGATION)

ITEM	PARTS NO.	PARTS NAME	
1	42711-145-00A	TIRE(E-MARK)	16/7-7
2	42701-145-001	RIM ASS'Y	7*5
3	96000-10020-14	HEX WASHER FACE BOLT	10*20
4	94101-1240045	PLAIN WASHER	12*40*4.5
5	42710-145-000	FRONT BRAKE DRUM	
6	96500-22357	OIL SEAL	22*35*7
7	44620-145-000	SPACER TUBE	15*22*15
8	44311-145-000	FRONT COLLER	15*22*10
9	96100-6002Z	RADIAL BALL BEARING	6002Z
10	96100-6003Z	RADIAL BALL BEARING	6003Z
11	94051-12000-17	NUT,CROSS THREAR	12mm
12	42616-145-000	AIR NOZZLE	
13	42814-145-000	RUBBER COVER	
14	94201-30320	COTTER PIN	3*32
15	51400-145-000	FRONT CUSHION	
16	92000-10040-14G	HEX BOLT	10*40
17	90350-10000G	NUT NYLON	10mm*1.25
18	52400-145-000	REAR CUSHION	
19	96000-10040-14G	HEX WASHER FACE BOLT	10*40



REED VALVE,AIR CLEANER

ITEM	PARTS NO.	PARTS NAME
1	14100-116-000	REED VALVE ASS'Y
2	17111-116-000	REED VALVE GASKET
3	17100-116-000	INTAKE MANIFOLD(3XG)
4	96000-06018-08	HEX WASHER FACE BOLT 6*18
5	14110-104-000	INTAKE MANIFOLD HOSE CLAMP
6	94510-40000	CLIP 40*2.3
7	17200-145-000	AIR CLEANER ASS'Y
8	17206-116-000	AIR CLEANER BASE
9	17207-116-000	AIR CLEANER COVER
10	17219-116-000	GUIDE PIPE
11	17205-116-000	AIR CLEANER ELEMENT
12	17253-116-000	AIR CLEANER JOINT
13	93903-05025	TAPPING SCREW TRUSS HEAD PHILL 5*25
14	92000-06020-10	HEX BOLT 6*20
15	96000-08020-12	HEX WASHER FACE BOLT 8*20
16	96485-116-000	GROMMET
17	17254-145-000	AIR CLEANER CONNECTION
18	17257-145-000	AIR DUCT
19	17260-145-000	AIR CLEANER BRACKET
20	94510-45000	CLIP 45*2
21	17220-145-000	AIR CLEANER ISOLATION GASKET
22	96000-05024-08	HEX WASHER FACE BOLT 5*24
23	94050-05000	HEX FLANGE NUT WITH SERRATION 5mm